



BASIC AMERICAN MEDICAL PRODUCTS A GRAHAM-FIELD BRAND

Service Manual for
Basic American's Zenith 708 Series

INSTRUCTIONS FOR USE



ZENITH III

ETL/UL/CSA APPROVED
UL 60601-1
IEC 60601-2-38
CSA 22.2 601.1



**BASIC AMERICAN MEDICAL
PRODUCTS**

Basic American Medical Products

336 Trowbridge Drive
Fond du Lac, WI 54937
www.basicamerican.com

For Zenith III Bed Service Parts please contact our
Customer Service Department at
1-800-365-2338

GF Health Products, Inc.

2935A Northwest Parkway
Atlanta, GA 30360
www.grahamfield.com

To order a Zenith III Bed please contact a
Graham Field Sales Representative at
1-800-554-9215

This service manual covers the following Zenith III Models:

ZZ7014 (76" Full-Electric-Pan & Z-Lok), ZZ7074 (76" Full-Electric-Grid & Z-Lok)
ZZ7114 (80" Full-Electric-Pan & Z-Lok) and ZZ7174 (80" Full-Electric-Grid & Z-Lok)
ZZX7114 (80" Full-Electric Fast Bed-Pan & Z-Lok) and ZZX7174 (80" Full-Electric Fast Bed-Grid & Z-Lok)
ZG7014 (76" Full-Electric-Pan & Standard Caster Base), ZG7074 (76" Full-Electric-Grid & Standard Caster Base)
ZG7114 (80" Full-Electric-Pan & Standard Caster Base), ZG7174 (80" Full-Electric-Grid & Standard Caster Base)

IMPORTANT NOTICE

The information contained in this document is subject to change without notice.
Please check all parts for shipping damage and test before using.
In case of damage, DO NOT USE.

T ABLE OF CONTENTS

SAFETY INFORMATION AND SPECIFICATIONS

SAFETY & WARNING INFORMATION	1
ENTRAPMENT COMPLIANCE INFORMATION	2
BED FEATURES & SPECIFICATIONS	3
• Features & Mechanical Dimensions	
• Electrical Specifications	
• Available Options/Accessories	
BED POSITIONING SPECIFICATIONS	4
• Maximum High and Low Bed Positions	
• Maximum Head/Back Elevation/Angle	
• Maximum Knee/Foot Elevation/Angle	

OPERATING YOUR BED

OPERATION - STD. PENDANT/HAND CONTROLLER	5
• Pendant Diagram and Operational Instructions	
OPERATION - OPT. STAFF/NURSE CONTROL	6
• Staff Diagram and Operational Instructions	

BOARD ASSEMBLY & MISC. FEATURES

STANDARD HEAD- & FOOTBOARDS	7 - 10
• Std. Head- & Footboard Boring Patterns	
• Assembly Instructions	
• Head- & Footboard Assembly Parts	
• Head- & Footboard Assembly Diagram	
OPTIONAL EMBEDDED STAFF CONTROL	11 & 12
• Assembly Instructions	
• Footboard Embedded Control Parts & Diagram—for single & double control box	
STANDARD & OPTIONAL WALLSAVERS	14 - 16
• Assembly Instructions	
• Standard Wallsaver & Side Wallsaver Assembly Parts	
• Wallsaver Assembly Diagrams	
STANDARD MATTRESS RETAINERS	17
• Assembly Instructions	
• Mattress Retainer Assembly Parts & Diagram	
STANDARD EDEMA FOOT RATCHET	18
• Edema Diagram and Operational Instructions	

ACCESSORIES ASSEMBLY

HEAD & FOOT HALF-RAILS	20 & 21
• Diagram, Parts, and Assembly Instructions	

FOOT BRACKET ASSEMBLY	22
• Diagram, Parts, and Assembly Instructions	
HEAD & FOOT ASSIST BARS/RAILS	23 & 24
• Diagram, Parts, and Assembly Instructions	
STANDARD 4" EXTENSION PAN	25
• Diagram, Parts, and Assembly Instructions	
OPTIONAL 42" WIDE DECK & WIDE DECK EXT. PAN ...	26 & 27
• Diagram, Parts, and Assembly Instructions	
TRAPEZE SUPPORT	28
• Diagram, Parts, and Assembly Instructions	

BED PARTS AND HARDWARE

HEAD, KNEE & FOOT DECKS TO MAIN FRAME	30
• Diagram, Parts, and Assembly Instructions	
MAIN FRAME TO U-LEVERS AND DRAG LINKS - HEAD	31
• Diagram, Parts, and Assembly Instructions	
MAIN FRAME TO U-LEVERS AND DRAG LINKS - FOOT	32
• Diagram, Parts, and Assembly Instructions	
LOWER U-LEVERS TO CASTER BASES (STD. & LOCKING) ...	33 & 34
• Diagram, Parts, and Assembly Instructions	


ELECTRONICS & CABLING

HEAD MOTOR TO HEAD DECK AND MAIN FRAME	37
• Diagram, Parts, and Assembly Instructions	
FOOT MOTOR TO KNEE DECK AND MAIN FRAME	38
• Diagram, Parts, and Assembly Instructions	
HI/LO MOTOR ASSM. TO DRAG LINKS AND U-LEVERS	39 & 40
• Diagram, Parts, and Assembly Instructions	
SINGLE & DOUBLE CONTROL BOX TO MAIN FRAME ...	41 & 42
• Diagram, Parts, and Assembly Instructions	
SINGLE CONTROL BOX CONNECTIONS & CABLING	44
• Diagram, Parts, and Connection Instructions	
DOUBLE CONTROL BOX CONNECTIONS & CABLING	45
• Diagram, Parts, and Connection Instructions	
HEAD, FOOT, AND HI/LO CABLE ROUTING	46 - 48
• Diagram and Routing Instructions	
POWER CORD & PENDANT CABLE ROUTING	49 & 50
• Diagram and Routing Instructions	












MISCELLANEOUS




ELECTRONIC TROUBLESHOOTING	51
RECOMMENDED SERVICE AND MAINTENANCE	52

S SAFETY & WARNING INFORMATION

All Warning/Caution labels attached to the bed apply to any hazards or unsafe practices that could result in personal injury and/or property damage. **DO NOT** remove any Warning/Caution labels attached to the bed. Whenever you see this symbol  please pay special attention to the warning instructions and comments for your safety and the safety of the resident/patient.

IMPORTANT SAFETY OPERATING INFORMATION

-  This product is a variable height, adjustable mattress platform, which will provide comfort and convenience for residents/ patients and caregivers in long term care settings.
-  The MAXIMUM SAFE WORKING LOAD for the Zenith III Bed, including the mattress, panels, side rails, and accessories, taking into consideration proper positioning, patient size, realignment, transfer, and overall care, is 500 lbs.
-  NEVER operate the bed if a Power Cord or Plug is damaged or not working properly. Contact qualified Service Personnel for examination and repair. Always unplug the Power Cord when performing any maintenance on the bed.
-  DO NOT open assemblies such as the Actuators, Hand Control, or Control Box. If unauthorized personnel perform work on these components, the manufacturer's warranty becomes void.
-  DO NOT use unauthorized parts, accessories, or adapters other than those specified/authorized by Graham-Field Health Products.
-  When operating the High/Low, Knee, or Back Functions of the bed, ALWAYS ensure that the confined individual is positioned properly within the confines of the bed. DO NOT let any extremities protrude over the side or between the bed rails when performing these functions.
-  DO NOT lower the bed when objects are beneath it. Failure to inspect under the bed can result in damage to property or personal injury.
-  The bed's Pendant Cord MUST BE ROUTED AND SECURED PROPERLY to ensure it does not become entangled and eventually severed during use. Also make sure all electrical cords DO NOT get tangled around the bed, side rails, or legs during transport or normal operation of the bed.
-  When using nasal- or masked-type administering equipment, all oxygen or air tubing MUST BE ROUTED AND SECURED PROPERLY to ensure that the tubing does not become entangled and eventually severed during the normal operation of the bed.
-  Keep all moving parts free of obstructions (i.e. blankets/ sheets, heating blankets/pads, wiring, etc.)
-  DO NOT use the side rails as push handles for moving the bed. Side rails can be deformed or broken if excessive side pressure is exerted. The purpose of the rails is to define the edge of the sleeping surface. They are not meant for patients considered as high risks for entrapment (i.e. patients with pre-existing conditions such as confusion, restlessness, lack of muscle control, altered mental status, either organic or medicinal, or a combination thereof). Additional safety measures should be considered for such high-risk patients.

-  NEVER permit more than one (1) person on/in the bed at any time.
-  Body weight should be evenly distributed over the sleeping surface of the bed. DO NOT allow the patient to lay, sit, or lean in such a way that their entire body weight is placed only on the raised head or foot sections of the bed. This especially applies when repositioning or transferring a patient in or out of the bed. Increased risk may occur when the patient's size and/or weight are inappropriate for the bed's dimensions or weight capacity.
-  The bed is intended for use, storage, and transport within a temperature range of -40°C to +60°C. It has a water-resistance rating of IPX4 and IS NOT to be power-washed or submersed.

OPERATING CONDITIONS

Operation of the bed is based on the following conditions:
Ambient Temperature of +10°C to +40°C; Relative Humidity of 30% to 75% (Non-condensing); Atmospheric Pressure of 700hPa to 1060hPa; and a Splash Protection of IEC 60529.

STORAGE

Storage of the bed is based on the following conditions:
Ambient Temperature of -10°C to 70°C; Relative Humidity of 10% to 100%; and an Atmospheric Pressure of 500hPa to 1060hPa.

RADIO FREQUENCY INTERFERENCE (RFI)

RFI influences most electronic equipment. Caution should be exercised with regard to the use of portable communications equipment in the area around such equipment. If RFI causes erratic behavior, shut the bed off immediately. Leave it off while the transmission is in progress.

LABEL SYMBOL DEFINITIONS



Consult
Accompanying
Documents



Safe
Working
Load



Protected
Grounded
Device



Type B
Equipment &
Applied Parts

ENTRAPMENT COMPLIANCE INFORMATION

On March 10, 2006, the FDA (U.S. Food and Drug Administration) released long-awaited guidelines for reducing the risk of bed entrapment: “*Hospital Bed System Dimensional and Assessment Guidance to Reduce Entrapment*”. The new Guidance identifies potential entrapment areas and those body parts most at risk for entrapment; provides design criteria for manufacturers of new hospital/convalescent beds; recommends particular test methods to assess the conformance of existing hospital/convalescent bed systems; and answers frequently-asked questions about entrapment issues.

The new Guidance was a result of a long-standing collaboration between the **FDA** and the **Hospital Bed Safety Workgroup (HBSW)**, formed in 1999. Graham-Field’s Long-Term Care Bed division: *Basic American Medical Products*, is an HBSW charter member. As a result of Graham-Field’s commitment to product safety, **all of Graham-Field current long-term care beds have been strictly tested and conform to the new FDA Guidance.**

The guidelines set forth by the FDA Guidance layout specific dimensional limitations on potentially injury-threatening gaps and spaces that can occur between bed system components, such as rails, when not properly installed. Graham-Field and Basic American Medical Products have conformed to these guidelines from a manufacturing aspect. However, entrapment issues can often arise when a healthcare provider/facility has not correctly assembled the components on a bed. It is essential that the provider/facility fully understand their responsibility in complying to the guidelines set forth by the FDA in order to avoid injury. To that end, we have provided the links below as a resource for understanding and following these guidelines for the safety of the patient/resident.

Graham-Field encourages all hospital bed owners to read the FDA guidance.

- ▶ Please visit the FDA’s Hospital Bed Safety page at "<http://www.fda.gov/cdrh/beds/>"
- ▶ To find many resources, including a link to the new Guidance page go to "<http://www.fda.gov/cdrh/beds/guidance/1537.pdf>"
- ▶ Ordering instructions for a Testing Kit which you can use to determine whether your beds are in conformance with the guidance can be found at "<http://www.fda.gov/cdrh/beds/entrapmentkit.html>" ("<http://www.fda.gov/cdrh/beds/entrapmentkit.html>");
- ▶ A discussion of Clinical Guidance protocol which you can use to assess an individual patient’s needs when using a side rail can be found at "http://www.ute.kendal.org/learning/documents/clinicalguidance_SideRails.pdf"

These resources will supply you with the knowledge to evaluate the safety of the hospital beds you currently own.

It is also essential to have the correct bed components/accessories that correspond with the needs of your patient/resident and the particular bed you have purchased. Matching the correct bed component that correlates with the regulatory guidelines can be a daunting task. Our Graham-Field Sales team and the friendly Customer Service Representatives at Basic American Medical Products can help you sift through the wide array of compliance and bed options. We will help you determine which bed/bed part is best for your patient’s/resident’s particular needs and help you with your compliance issues.



GF Health Products, Inc.

336 Trowbridge Dr. • Fond du Lac, WI 54937
Customer Service: 1.800.365.2338 • Fax: 920.929.8213
www.grahamfield.com

BED FEATURES & SPECIFICATIONS

The Zenith III Full-Electric Bed Series offers some outstanding standard and optional features all geared for safety and comfort. We have included both mechanical and electrical specifications below for your records. *We are excited to introduce a new Anti-Microbial Powder Coat Painting process which has been proven to inhibit the growth of damaging and disease causing microbes (bacteria, mold, fungus, algae, etc.) on the surface of coated items. Recorded result-reduction of bacteria has been 99.9%.

FEATURES	
Sleep Surface Availability	76" & 80"
Sleep Surface Options	Steel Welded Wire Grid (std) or Pan
Sleep Surface Material	11 GA. Hot Rolled Steel
Base Frame Material	Welded Tubular
Main Frame Material	Steel (Rectangular & Square Tubing)
Travel Range	7.95" low to 30.00" high
Standard Locking System	Lock and/or 360° Roll at any height
Standard Wallsaver	Wireform
Mattress Retainers	Two std. on foot deck
Hand Pendant	6-function with long coil cord
Pendant Holster	Standard
Motors & Control Box	Quiet DC Electronics
Edema Foot Ratchet	Foot End
Heavy Duty Casters	Eight Standard
Baseboard Wallsaver	Wire - Standard
*Anti-Microbial Powder Coat Paint Finish	Soft Pantone Grey
Entrapment	FDA Compliant

MECHANICAL DIMENSIONS		
	76"	80"
Overall Bed Length (high position with std. wallsaver)	82.00"	86.00"
Overall Bed Length (low position with std wallsaver)	81.75"	85.75"
Overall Bed Width (with standard rails)	39.75"	39.75"
Overall Bed Width (with standard boards-no rails)	36.00"	36.00"
Sleep Deck Surface Length	75.00"	79.00"
Sleep Deck Surface Width	35.00"	35.00"
Sleep Deck Surface Height (high position)	30.00"	30.00"
Sleep Deck Surface Height (low position)	7.95"	7.95"
Under Bed Minimum Clearance (high position)	10.00"	10.00"
Travel - Lowest to Highest	> .50"	> .50"
Maximum Head Deck Angle	70°	70°
Maximum Knee Deck Angle	30°	30°
Maximum Knee to Leg Angle	45°	45°
Maximum Safe Working Load (including mattress, panels, side rails and accessories, and taking into consideration patient size, proper positioning, realignment, transfer, and overall care.	500 lbs.	500 lbs.

ELECTRICAL SPECIFICATIONS	
Power/Frequency	120 Volt/60 Hz
Current Actuator Rating	LA27
Overall Movement Draw	4 Amps
Classification	Class I, Type B
Mode of Operations	10% Max. Duty Cycle 2 minutes on/18 minutes off
Electrical Cord	Type SJT 3/18AWG Grounded w/Hospital Plug
OPTIONS/ACCESSORIES	
Std. 4" Pan Extension Kit	Foot end - adds 4" to length
Staff/Nurse Control	Embedded in Footboard
Lockout	Economy or Single
Tubular Side Wallsaver	Steel
Tubular Wide Wallsaver	Steel
Side Rails	LH and RH/Head or Foot
Assist Bar	LH or RH/Head or Foot
Trapeze	Support & Bar
Traction	Adapter & IV Socket
Battery Backup	Charger, Cable & Battery
Standard Pan Deck	Pan Head, Knee & Foot
42" Wide Deck Kit	Two RH & two LH Sections
Wide 4" Pan Extension Kit	Foot end - adds 4" to length

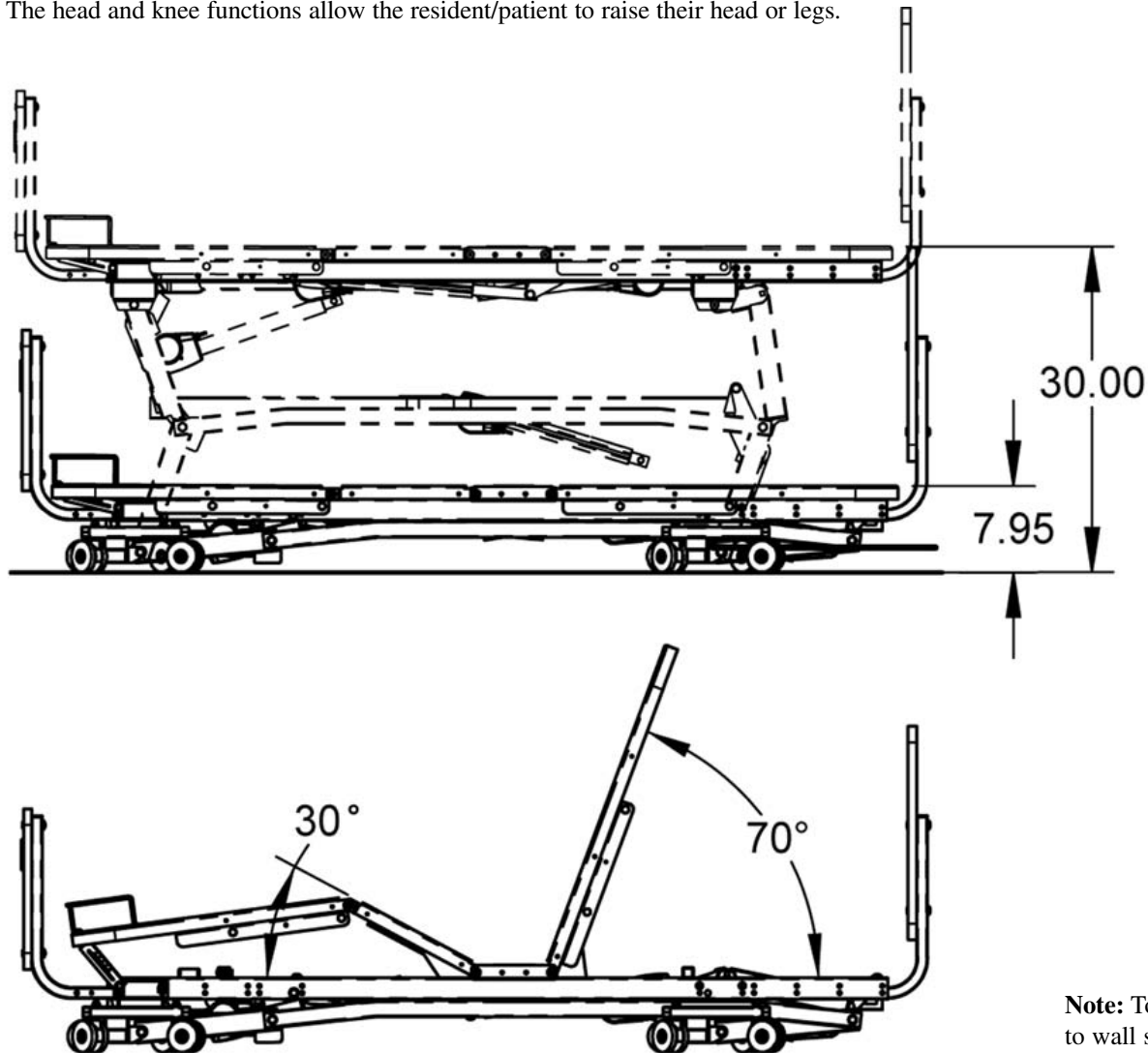
NOTE: When ordering parts or contacting our customer service department, please have the bed's model and serial number available. These can be found on the identification labels which are usually located on the bed frame under the sleep deck.

POSITIONING SPECIFICATIONS

The Zenith 700 Bed Series has infinite positions that serve to help the patient be more comfortable and gives the practitioner easy access during procedures, transfers, etc. The correct placement of the bed is essential for the patient's safety.

The bed should always be set to its lowest position when the patient is left unattended. The head and knee functions allow the resident/patient to raise their head or legs.

The recommended maximum distance for the head function is 70°. In the event of a power outage, it is preferred that the knee and back sections be lowered using an emergency battery pack. If unavailable, the sections can be set into the flat position by easily removing the actuator mounting pins.



QUICK REFERENCE:

MAXIMUM (High Position)
Bed height from floor to
sleep deck top = 30.00"

MINIMUM (Low Position)
Bed height from floor to
sleep deck top = 7.95"

DISTANCE TO WALL (High)
Headboard mounting tube
to end of std. wallsaver = 1.75"

DISTANCE TO WALL (Low)
Headboard mounting tube
to end of std. wallsaver = 1.50"

MAXIMUM (Head Angle)
Head deck to sleep surface = 70°

MINIMUM (Knee Angle)
Knee deck to sleep surface = 30°

MAXIMUM (Knee/Foot Angle)
Knee deck to foot deck = 45°

Note: To maintain optimal performance and avoid possible damage to wall surfaces, it is recommended that you periodically raise and lower the bed to its highest and lowest positions as part of your regular maintenance schedule.



OPERATION OF STANDARD PENDANT/HAND CONTROLLER

EASY PATIENT CONTROLS

Each Zenith III Bed is equipped with a pendant-type hand control—standard. Each control function (head, bed, and knee) has two easily recognizable switches for up and down movement. The pendant can be easily disconnected to deactivate the patient control functions.

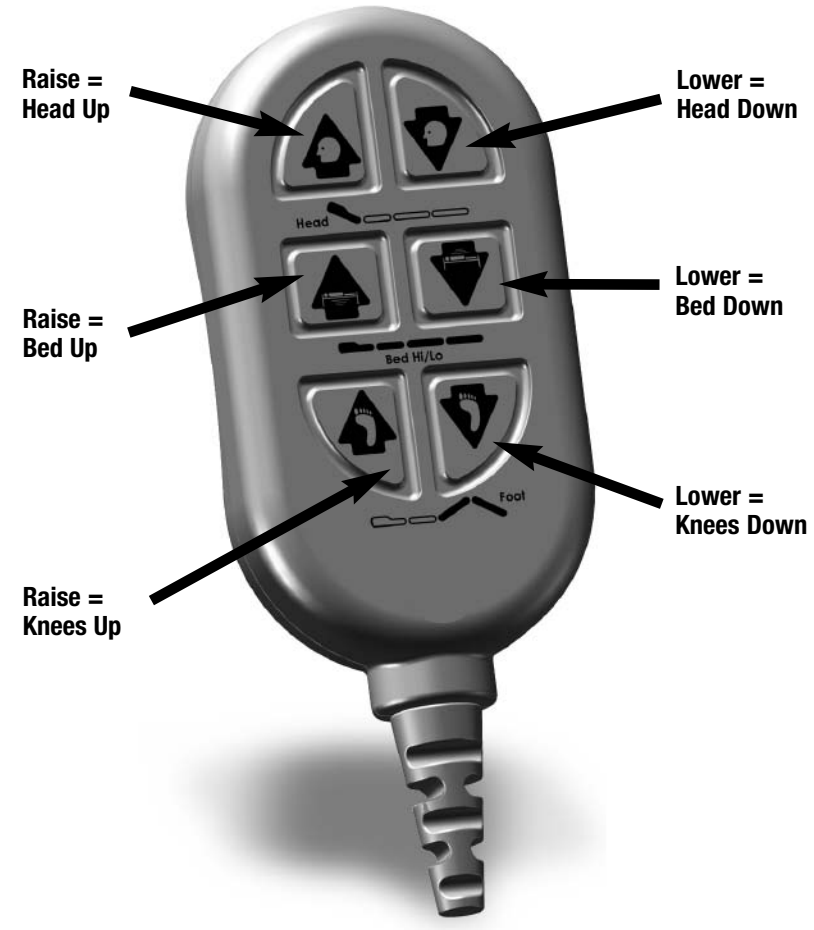
The controls are designed so that more than one function can be activated simultaneously. To operate, push the appropriate buttons to activate the desired function.



Pendant Holster
999-0791-000



Male End Connector
of Pendant Cable



Model # HB00
Part # 999-0808-305



OPERATION OF OPTIONAL STAFF/NURSE CONTROL

Part # 999-0775-901

STAFF/NURSE CONTROLLER

The staff/nurse control allows the caregiver to individually lock out all functions of only the pendant control. The caregiver can also operate the bed from this panel without walking to the side of the bed.

TO OPERATE THE TRAVEL CONTROLS

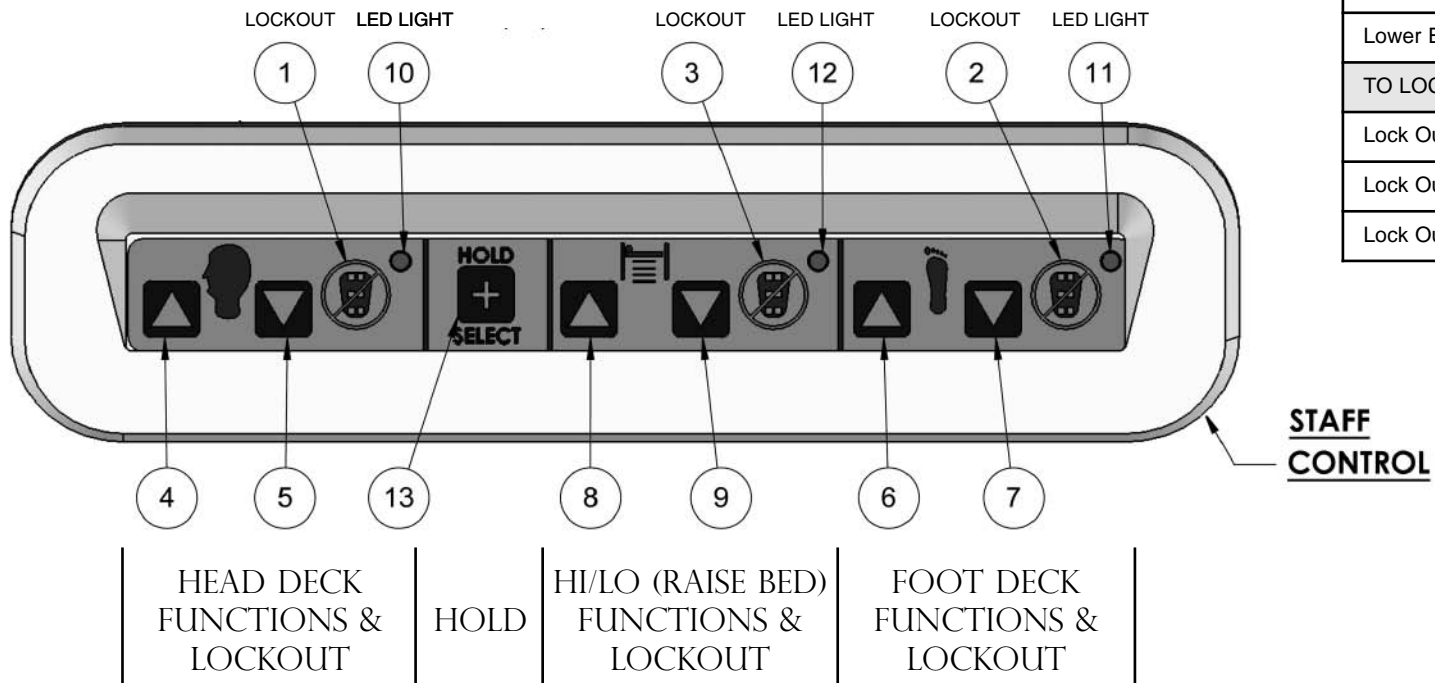
Press the "HOLD SELECT" (#13) first, then the appropriate "UP" (#4, 6, or 8) OR "DOWN" (#5, 7, or 9) on the panel.

TO LOCK OUT A PENDANT FUNCTION

Press the "HOLD SELECT" (#13) first, then the appropriate "NO PENDANT" (#1, 2, or 3) on the panel. The corresponding illuminated LED light (#10, 11 & 12) indicates that the function is now locked out on the pendant.

TO UNLOCK A PENDANT FUNCTION

Press the "HOLD SELECT" (#13) first, then the appropriate "NO PENDANT" (#1, 2, or 3) on the panel. The corresponding LED light (#10, 11 & 12) is no longer illuminated, indicating that the pendant can now operate that function.



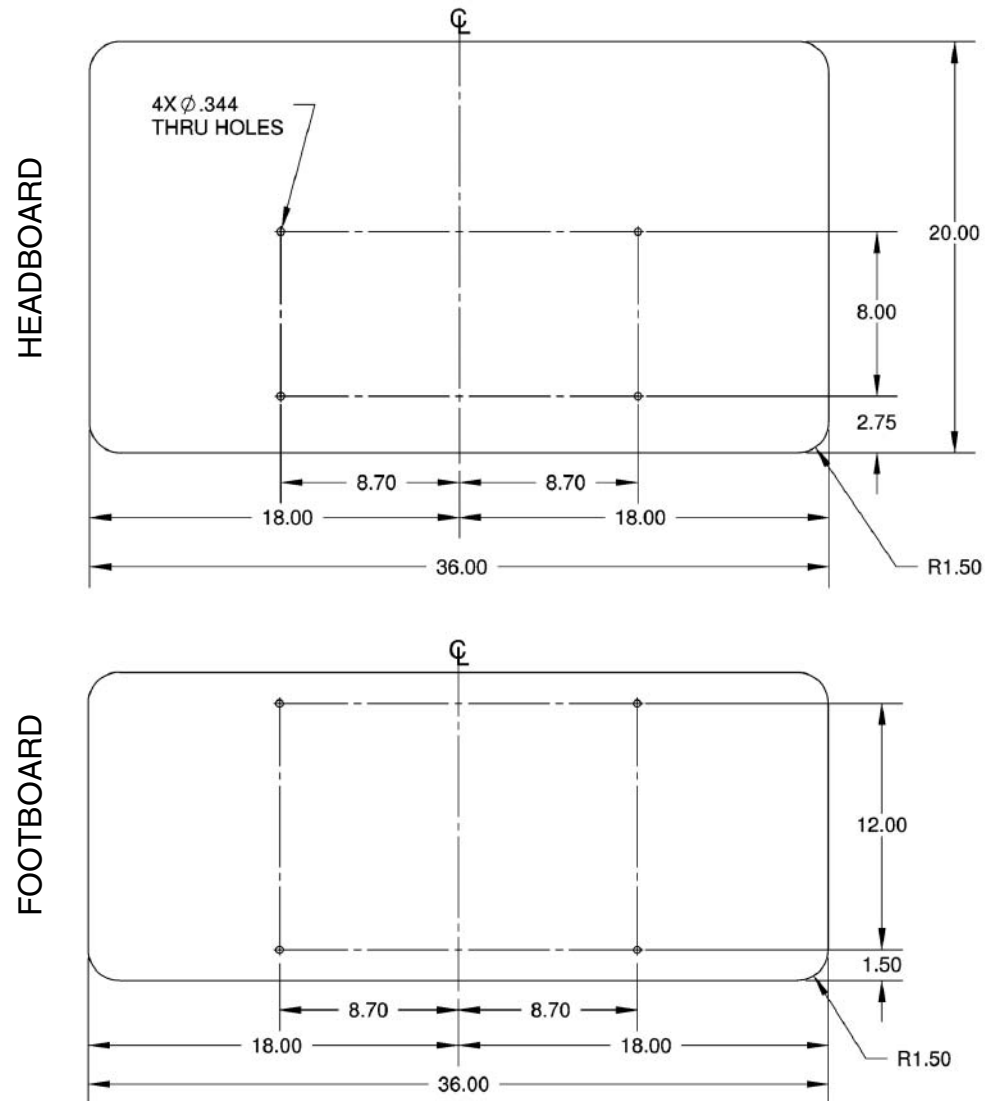
STAFF CONTROL REFERENCE	
Head LED Light	Item 10
Foot LED Light	Item 11
Hi/Lo LED Light	Item 12
Hold & Select Button	Item 13
TO OPERATE BED FROM STAFF CONTROL	
Raise Head/Back Deck	Push 13 then 4
Lower Head/Back Deck	Push 13 then 5
Raise Knee/Foot Decks	Push 13 then 6
Lower Knee/Foot Decks	Push 13 then 7
Raise Entire Bed (Hi/Lo)	Push 13 then 8
Lower Entire Bed (Hi/Lo)	Push 13 then 9
TO LOCK OUT HAND CONTROL FUNCTION	
Lock Out Head Function	Push 13 then 1
Lock Out Foot Function	Push 13 then 2
Lock Out Hi/Lo Function	Push 13 then 3

PLEASE NOTE:
When the Pendant Hand Controller is locked out, you can still operate the bed from the Staff/Nurse Control without unlocking the pendant hand controller.

HEAD- & FOOTBOARDS

STANDARD HEADBOARD AND FOOTBOARD BORING DIAGRAM

The diagrams below outline the manufacturer's standardized headboard and footboard boring specifications. All of the dimensions are referenced from the center and bottom. Before making any significant variations to these dimensions, please contact the manufacturer.



A

SEMBLY - STANDARD HEAD AND FOOT BOARDS

1. Assemble two Mounting Tubes (#4) to the Headboard (#1) and two to the Footboard (#2) using eight 1/4-20 x 20mm JCB-B Hex Fit Bronze Bolts (#6), going through the pre-drilled holes on the boards and into the eight 1/4-20 x .60" Long Threaded Inserts (#3) (already attached to the boards) as shown. Hand tighten only at this time.
2. Insert the Mounting Tubes into the Main Bed Frame Tubes so that the holes match up as shown. Secure with four 5/16 x 1-1/2" Clevis Pins (#7) and 1-9/16 Hair Pin Clips (#8) (1 each per bed frame tube). The mounting tubes will slide underneath the two 5/16-18 x 1.50" Carriage bolts that were pre-inserted into the Main Frame Rails at the head-end of the bed by the manufacturer.
3. Now tighten all screws with a 4mm Allen Wrench (included in your kit). Be careful not to overtighten.

Item #	Quantity	Part #	Description
1	1	-	Headboard*
2	1	-	Footboard*
3	8	100-7025-004	1/4-20 UNC x .60" Long Threaded Insert (pre-inserted into footboard and headboard)
Headboard & Footboard Mounting Kit (999-0775-000) includes the following parts:			
4	4	999-0746-035G	Mounting Tubes
5	4	100-4700-015	1" x 1" Square Tube End Cap (pre-inserted in tubes)
6	8	100-5425-093	1/4-20 x 20mm JCB-B Hex Fit Bronze Bolts
7	4	100-7931-007	Clevis Pin - 5/16 x 1-1/2" w/cross hole
8	4	100-2001-006	1-9/16 Hair Pin Clip
Hardware Pre-inserted into Main Frame Rails to Hold Mounting Tubes			
9	2	100-5231-003	5/16-18 x 1.50" Carriage Bolt
10	2	100-6731-006	5/16-18 Thin Nylon Lock Nut
11	4	100-4700-015	1.00" Square End Caps

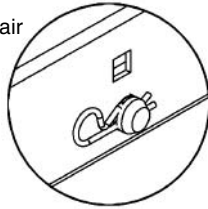
* There are a number of stylish options for Zenith III Headboards and Footboards including Oak, Walnut, and Mahogany finishes. Please consult your catalog, our website (www.graham-field.com), or contact one of our Sales Representatives for options. Please note that headboards and footboards come as a kit and are not interchangeable.

STANDARD HEADBOARD AND FOOTBOARD ASSEMBLY

Does not include Staff Control.



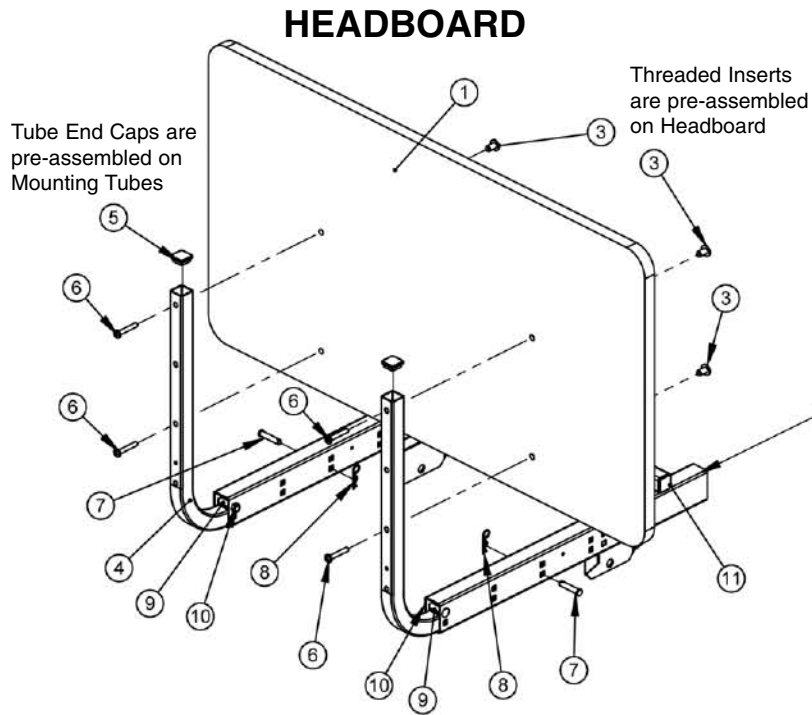
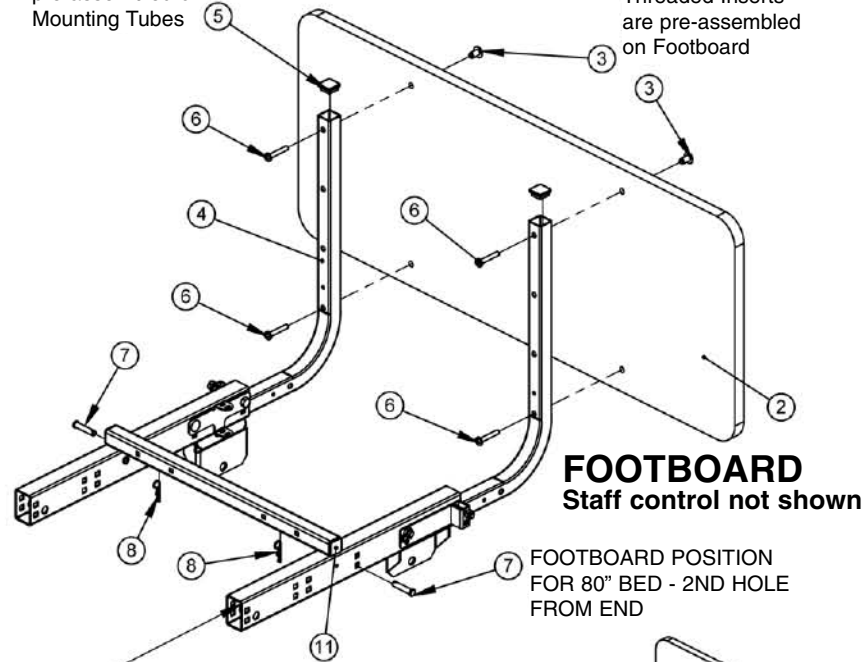
Close-up of Hair Pin Clip (#8) inserted into hole in Clevis Pin (#7)



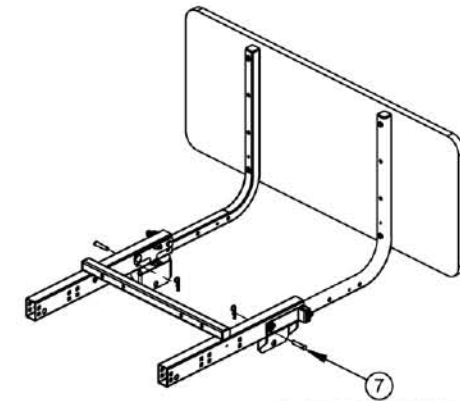
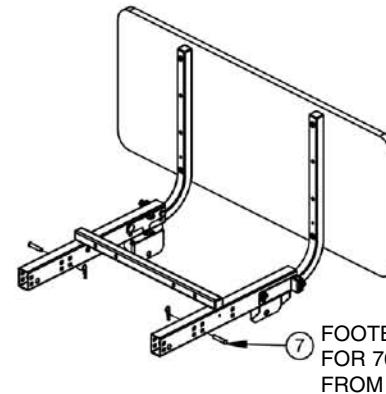
To safely remove Hair Pin Clip grasp on circular end and pull.

Tube End Caps are pre-assembled on Mounting Tubes

Threaded Inserts are pre-assembled on Footboard



Main Frame Weldment



TOOLS NEEDED:
(1) Phillips Screwdriver

A

SEMBLY - OPTIONAL SINGLE BOX & EMBEDDED STAFF CONTROL

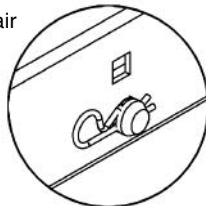
Item #	Qty	Part #	Description
STAFF CONTROL ASSEMBLY KIT (ZL788053) INCLUDES			
1	1	Z53650	Std. Oak Head- & Footboard (with cutout)
2	1	999-0775-006G	Wide Staff Control Shroud
3	1	999-0775-901	Staff Control Assembly with Cables
4	6	100-5506-002	#6 x .50" Phillips Truss Head Screws (Blk)
C	1	100-1100-024	4" Nylon Cable Tie
Additional Parts & Hardware already on bed			
5	1	999-0779-300	Control Box - CB6 (LA27)
6	2	100-7931-007	5/16 x 1.50" Clevis Pin w/hole
7	2	100-2001-006	1-9/16 x .072 Hair Pin Clip
8	1	999-0775-200	Extension Cable with Green O-Ring

1. Assemble the footboard mounting tubes to the "staff control footboard" as shown on the previous pages if not already assembled. Note that the standard footboard does not have the cut outs for the staff controller switch plate. A separate footboard with cut outs must be ordered for the staff controller option.
2. Facing the footboard from the foot-end of the bed, carefully thread the male and female staff control cables through the hole in the footboard and position the staff control (#3) into the pre-formed slot on the footboard, making sure all screw holes line up correctly. Using two black #6 X .50" Phillips Truss Head Screws (#4), from the back of the footboard secure the Staff Control via the outermost holes.
3. Place the Staff Control Shroud (#2) over the cables on the back of the footboard and attach with four black #6 X .50" Phillips Truss Head Screws (#4). Lightly tighten all screws with a phillips screwdriver.

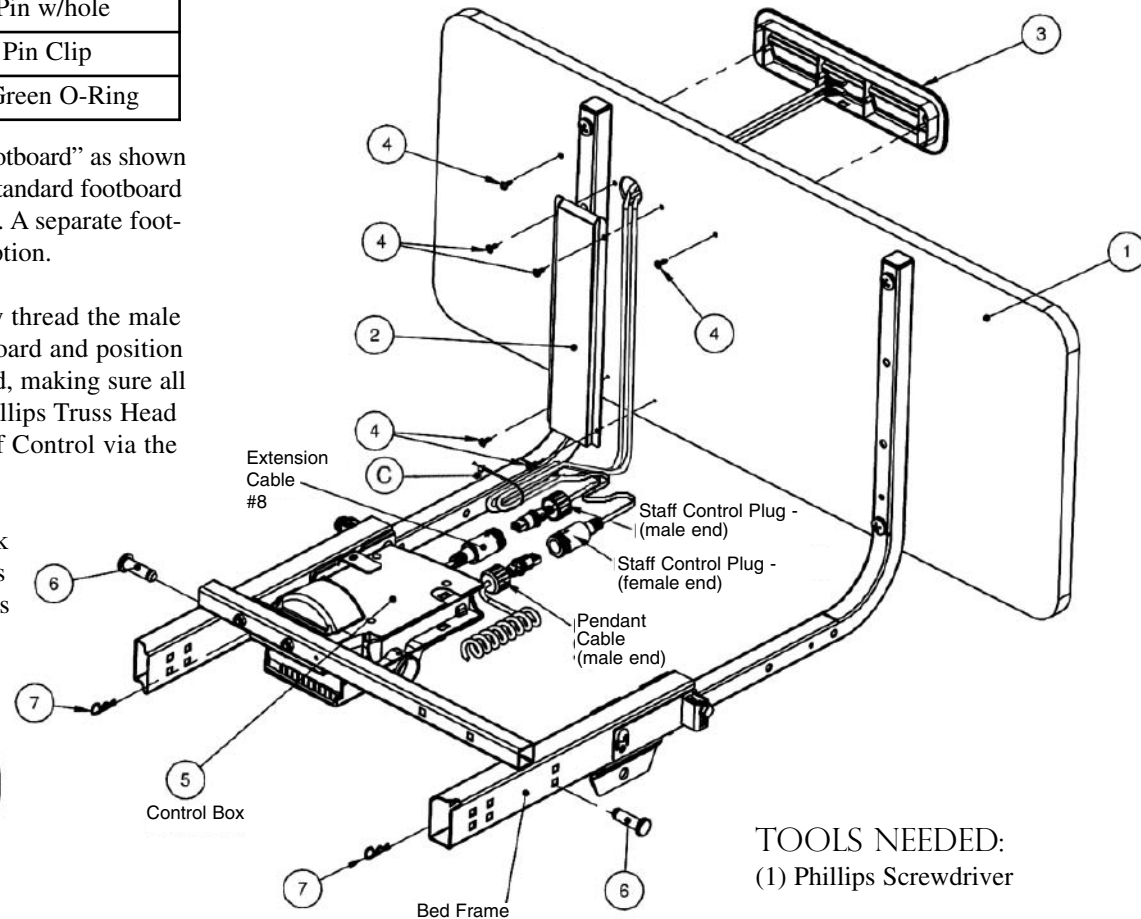


To safely remove Hair Pin Clip grasp on circular end and pull.

Close-up of Hair Pin Clip (#6) inserted into hole in Clevis Pin (#7)



4. Insert the Footboard Mounting Tubes into the Main Bed Frame Tubes so that the holes match up as shown. Secure with two 5/16 x 1-1/2" Clevis Pins (#6) and Hair Pin Clips (#7) (1 each per bed frame tube).
5. Unplug the Pendant Cable from the Extension Cable (#8) that is plugged into HB port on the control box (#5) at the foot end of the bed.
6. Plug the male staff control cable into the extension cable's female end. Plug the male end of the pendant cable into the female staff control cable. Secure all cables with cable tie.
7. Tighten all screws on the footboard with a phillips screwdriver. Be careful not to overtighten.



TOOLS NEEDED:
(1) Phillips Screwdriver

A

ASSEMBLY - OPTIONAL DOUBLE BOX & EMBEDDED STAFF CONTROL

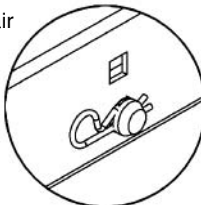
Item #	Qty	Part #	Description
STAFF CONTROL ASSEMBLY KIT (ZL788053) INCLUDES			
1	1	Z53650	Std. Oak Head- & Footboard (with cutout)
2	1	999-0775-006G	Wide Staff Control Shroud
3	1	999-0775-901	Staff Control Assembly with Cables
4	6	100-5506-002	#6 x .50" Phillips Truss Head Screws (Blk)
C	1	100-1100-024	4" Nylon Cable Tie
Additional Parts & Hardware already on bed			
5	2	999-0779-300	Control Box - CB6 (LA27)
6	2	100-7931-007	5/16 x 1.50" Clevis Pin w/hole
7	2	100-2001-006	1-9/16 x .072 Hair Pin Clip
8	1	999-0776-200	Dual Control/Pendant Cable
9	1	999-0808-200	Pendant Extension T-Cable Plug

1. Assemble the footboard mounting tubes to the "staff control footboard" as shown on the previous pages if not already assembled. Note that the standard footboard does not have the cut outs for the staff controller switch plate. A separate footboard with cut outs must be ordered for the staff controller option.
2. Facing the footboard from the foot-end of the bed, carefully thread the male and female staff control cables through the hole in the footboard and position the staff control (#3) into the pre-formed slot on the footboard, making sure all screw holes line up correctly. Using two black #6 X .50" Phillips Truss Head Screws (#4), from the back of the footboard secure the Staff Control via the outermost holes.
3. Place the Staff Control Shroud (#2) over the cables on the back of the footboard and attach with four black #6 X .50" Phillips Truss Head Screws (#4). Lightly tighten all screws with a phillips screwdriver.

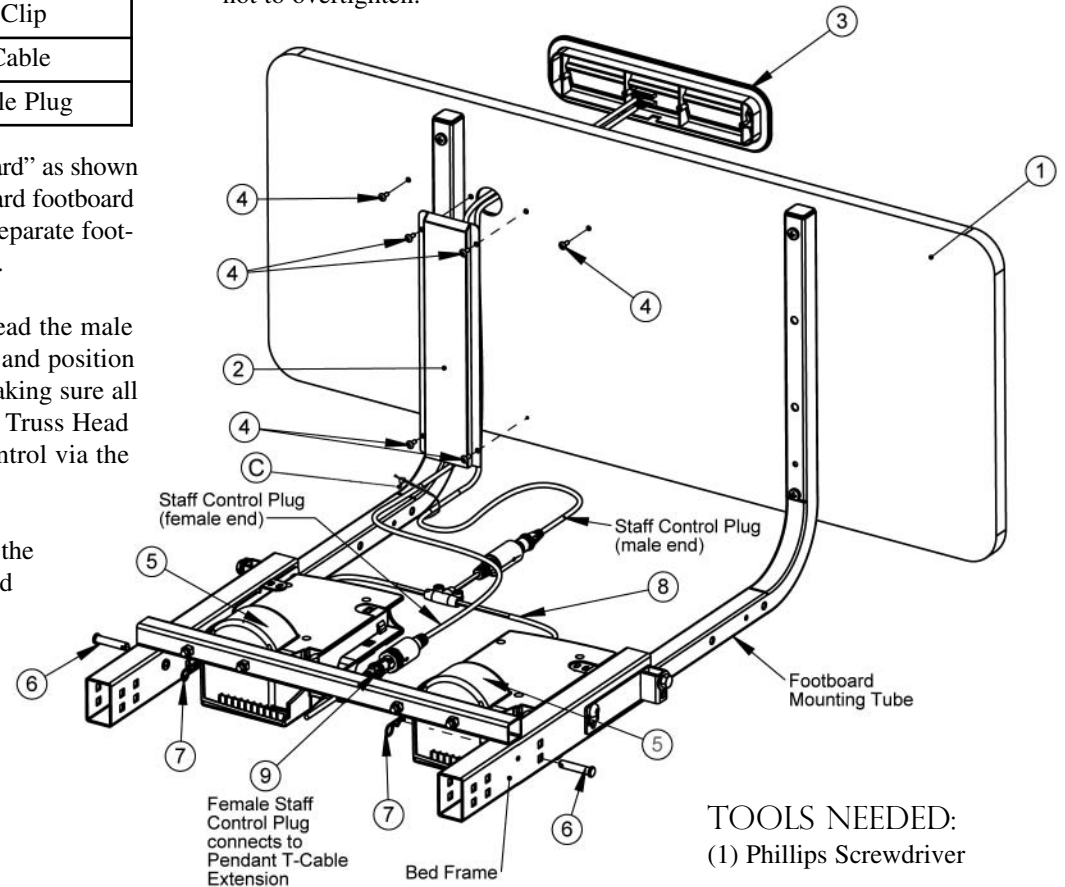


To safely remove Hair Pin Clip (#6) grasp on circular end and pull.

Close-up of Hair Pin Clip (#6) inserted into hole in Clevis Pin (#7)



4. Insert the Footboard Mounting Tubes into the Main Bed Frame Tubes so that the holes match up as shown. Secure with two 5/16 x 1-1/2" Clevis Pins (#6) and Hair Pin Clips (#7) (1 each per bed frame tube).
5. At the foot end of the bed, unplug the Dual Control/Pendant Cable (#8) from the Pendant Extension T-Cable (#9) that runs along the frame and underneath the seat pan. The Dual Control Cable will remain plugged into the two control boxes (#5).
6. Plug the male staff control cable into the Dual Control/Pendant Cable's female end. Plug the female staff control cable into the male end of the Pendant Extension T-Cable that you unplugged in Step 5. Secure all cables with cable ties.
7. Tighten all screws on the footboard with a phillips screwdriver. Be careful not to overtighten.



TOOLS NEEDED:
(1) Phillips Screwdriver

WALLSAVERS, MATTRESS RETAINERS & EDEMA RATCHETS

A

SEMBLY - STANDARD ZENITH III WIREFORM WALLSAVER ASSEMBLY

1. The standard wallsaver can be attached to the head-end of either the standard caster base that comes with the bed or the Head Locking Caster Base assembly that must be ordered with the Locking Mechanism option.
2. Find the Wallsaver holes on the Caster End Brackets (#2) on the Caster Base Assembly at the head of the bed.
3. Holding the Standard Wireform Wallsaver (#1) at approximately a 45° angle, place the ends into the holes as shown in Figure "C".
4. Carefully lower the Wallsaver downward until the formed ends cradle the caster end brackets as shown in Figure "D".
5. Please see Figure "A" for final positioning.

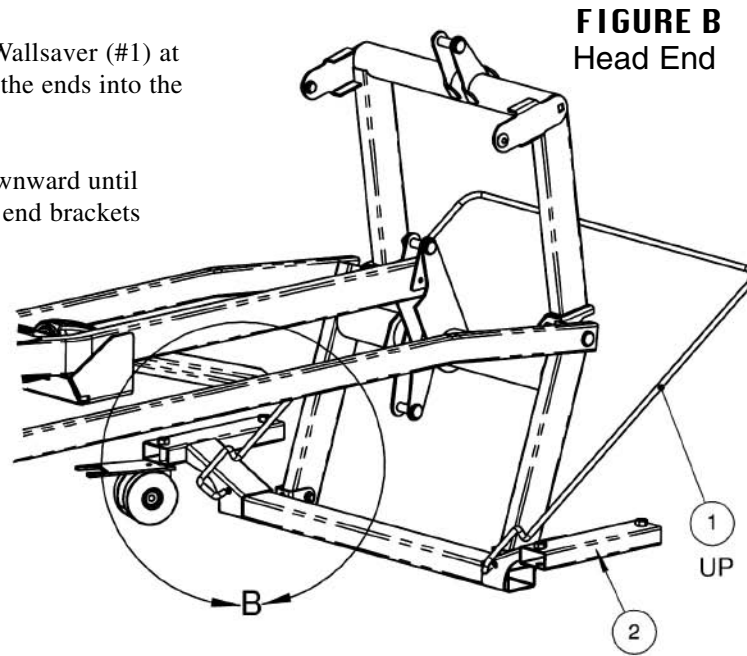


FIGURE B
Head End

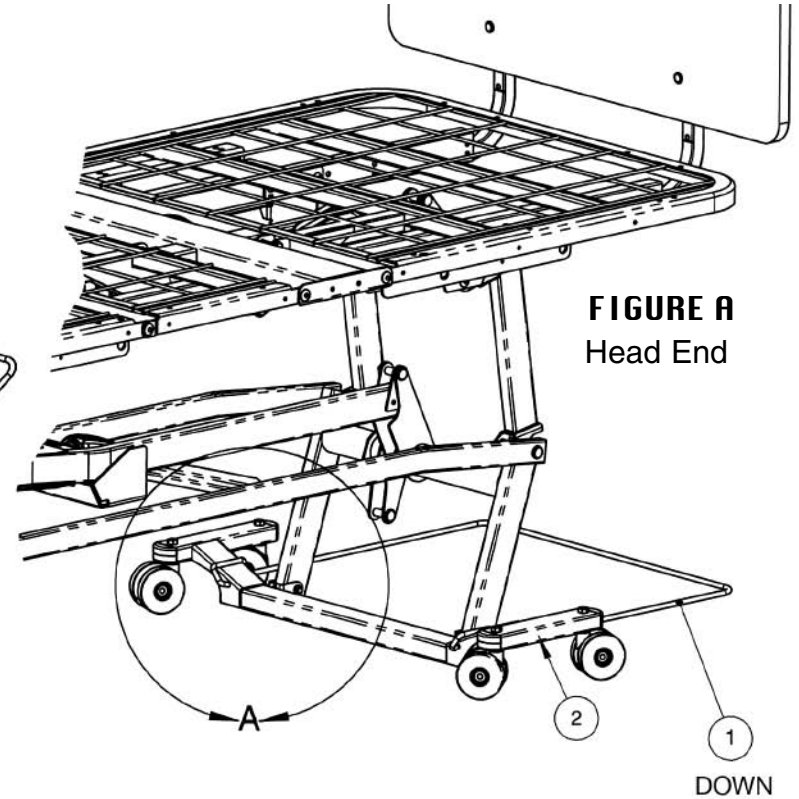


FIGURE A
Head End

NO SPECIAL TOOLS NEEDED

Item #	Qty	Part #	Description
1	1	999-0775-181	Standard Wireform Widesaver - 76" or 80"
2	Ref	999-0775-955G	Standard Caster Base Assembly - Head End
3	Ref	999-0775-958G	Optional Locking Caster Base Assembly - Head End

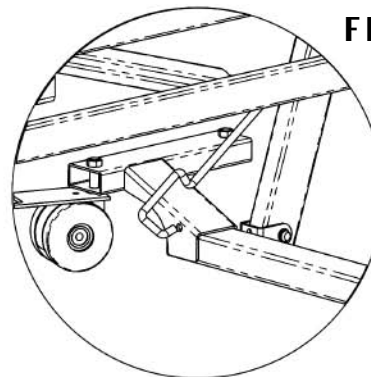


FIGURE C

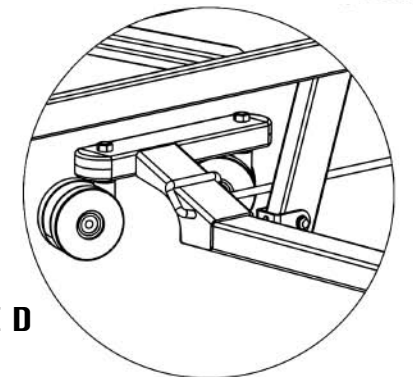


FIGURE D

A

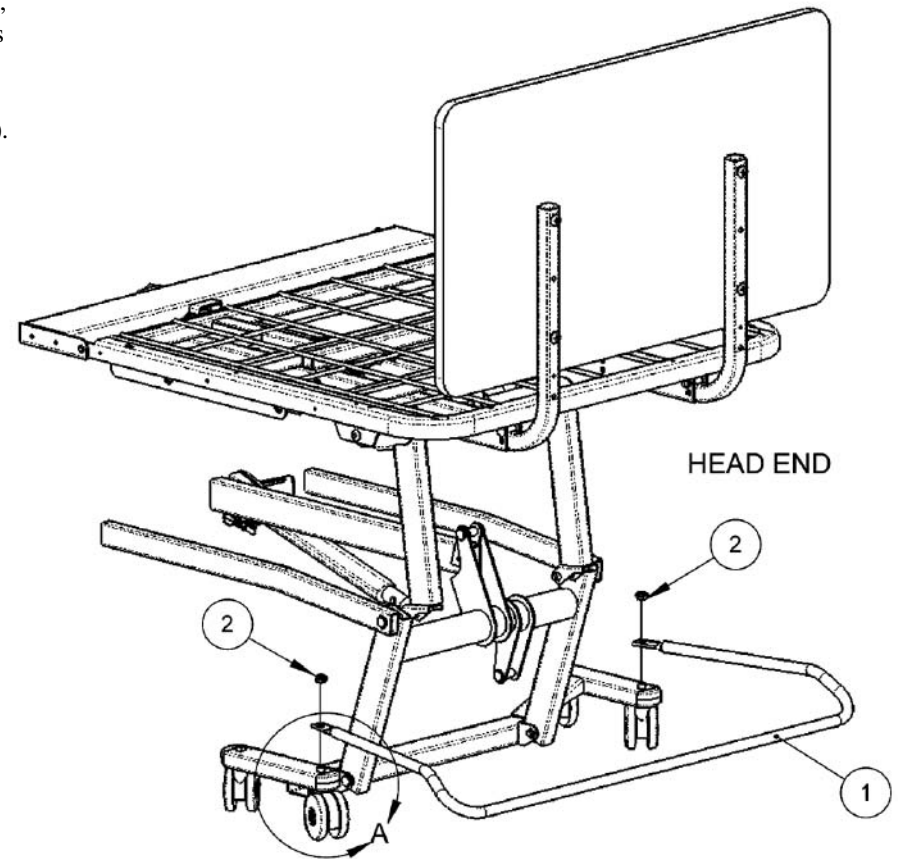
SEMBLY - OPTIONAL ZENITH III TUBULAR WALLSAVER ASSEMBLY

Tubular Wallsaver Kit# ZA81720 - 1 Wallsaver per Kit - (Trapeze Tubular Wallsaver Kit# ZA78740 - 1" longer)

1. Place the Thin Wrench (#3) on the Caster Base assembly wheels as shown and, using a 7/16" wrench, remove the 7/16" Nylon Lock Nuts from the Caster Stems at the top of the bases at the head-end of the bed.
2. Attach the Tubular Wallsaver (#1) to the Caster Stems using the 7/16 Lock Nuts (#2). Make sure the collar of the Lock Nuts is seated in the holes of the Wallsaver.
3. Now tighten the Lock Nuts securely using a 7/16" wrench and the Special Thin Wrench (#3) on the wheel.

NOTE: You cannot attach both a Side Wallsaver and a Widesaver to the same Caster Base.

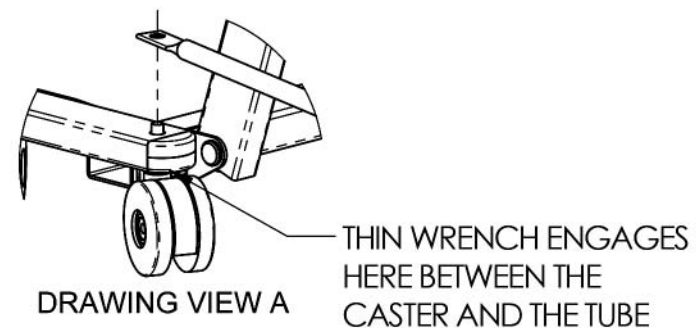
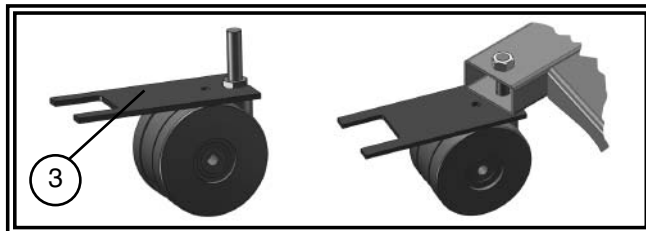
Item #	Qty	Part #	Description
Optional Tubular Wallsaver Kit - ZA81720 includes . . .			
1	1	999-0817-020	Tubular Widesaver/Bumper
2	2	100-6744-002	7/16 Thin Nylon Lock Nut
3	1	999-0701-150T	Special Thin Wrench for Caster Stem
Optional Long Wallsaver Kit for Trapeze - ZA78740 includes . . .			
Not Shown	1	999-0787-040	Long Widesaver for Trapeze - not shown
Not Shown	2	100-6744-002	7/16" Low Hex Head Lock Nut
3	1	999-0701-150T	Special Thin Wrench for Caster Stem



TOOLS NEEDED:

(1) 7/16" wrench (and special thin wrench included in kit)

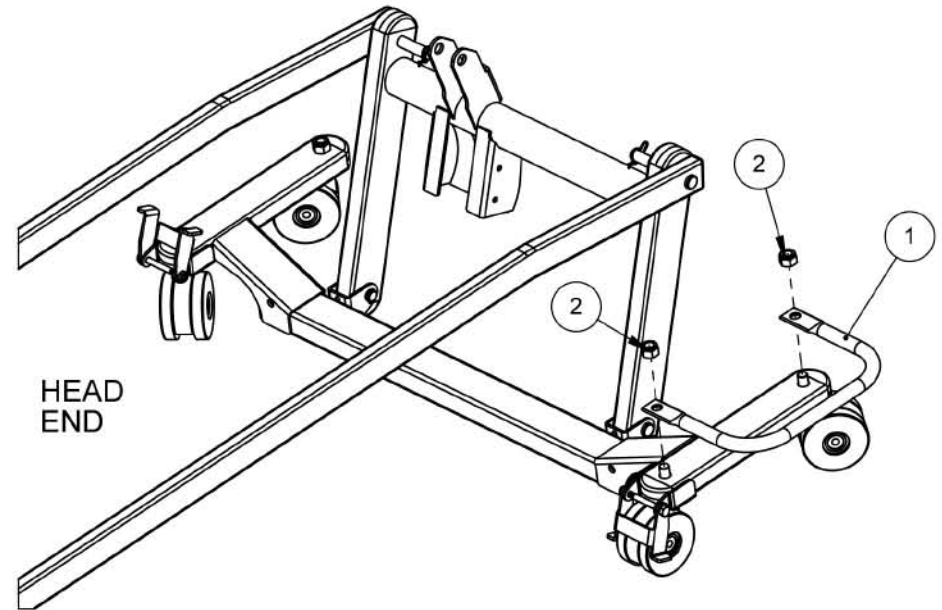
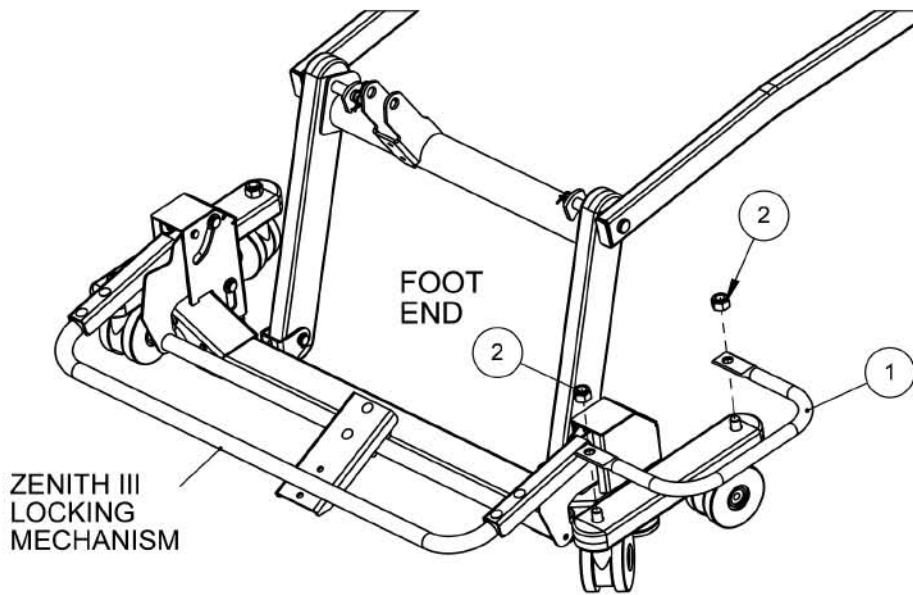
Special 5/8" Wrench Placement on Caster



A

SEMBLY - STANDARD ZENITH III TUBULAR SIDESAVER ASSEMBLY

Tubular Side Wallsaver Kit# ZA81800 - 2 Wallsavers per Kit



TOOLS NEEDED:

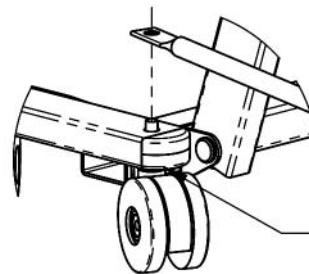
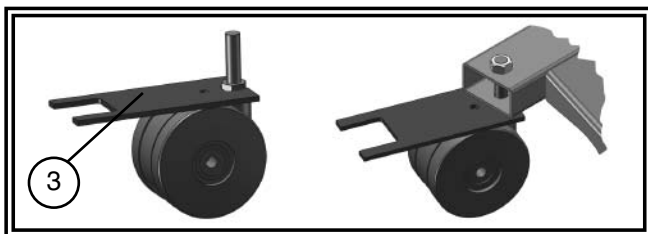
(1) 7/16" wrench (and special thin wrench included in kit)

Item #	Qty	Part #	Description
Optional Tubular Side Wallsaver Kit - ZA81800 includes . . .			
1	2	999-0818-001	Tubular Sidesaver/Bumper
2	4	100-6744-002	7/16 Thin Nylon Lock Nut
3	1	999-0701-150T	Special Thin Wrench for Caster Stem

1. Place the Thin Wrench (#3) on the Caster Base assembly wheels as shown and, using a 7/16" wrench, remove the 7/16" Nylon Lock Nuts from the Caster Stems at the top of the bases at the head-end of the bed.
2. Attach the Tubular Sidesaver (#1) to the Caster Stems using the 7/16 Lock Nuts (#2). Make sure the collar of the Lock Nuts is seated in the holes of the Sidesaver.
3. Now tighten the Lock Nuts securely using a 7/16" wrench and the Special Thin Wrench (#3) on the wheel.

NOTE: You cannot attach both a Sidesaver and a Widesaver to the same Caster Base.

Special 5/8" Wrench Placement on Caster



DRAWING VIEW A

THIN WRENCH ENGAGES
HERE BETWEEN THE
CASTER AND THE TUBE

A

ASSEMBLY - ZENITH III STANDARD CORNER MATTRESS RETAINERS

NOTE: The Mattress retainers are interchangeable for both the head and foot ends of the bed. The foot retainers come standard with your bed. Head retainers are optional and must be ordered separately.

1. Install the Mattress Retainers (#1) into the holes on the corners of the Head Deck or Foot Deck.
 - a. Starting in a vertical position, place the ends into the holes as shown in Figure A so that the curved part of the retainer is facing outward.
 - b. Lower the mattress retainer and pivot it into a horizontal resting position as shown in Figure B.

Item #	1
Kit Qty.	(In sets of 2)
Kit #	999-0814-000
Single Part #	999-0814-001
Description	Corner Mattress Retainer

NO SPECIAL TOOLS
REQUIRED

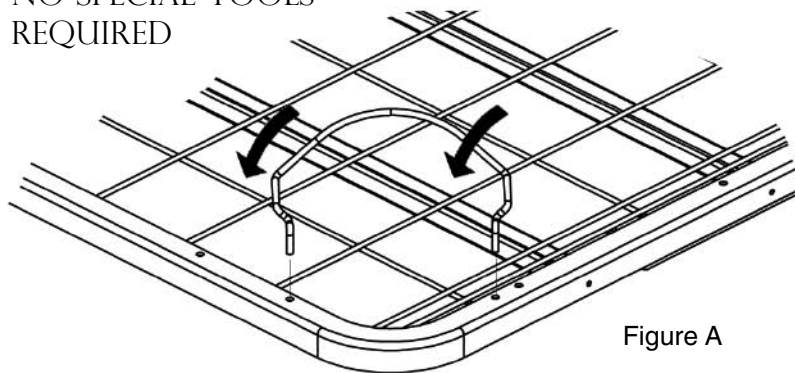
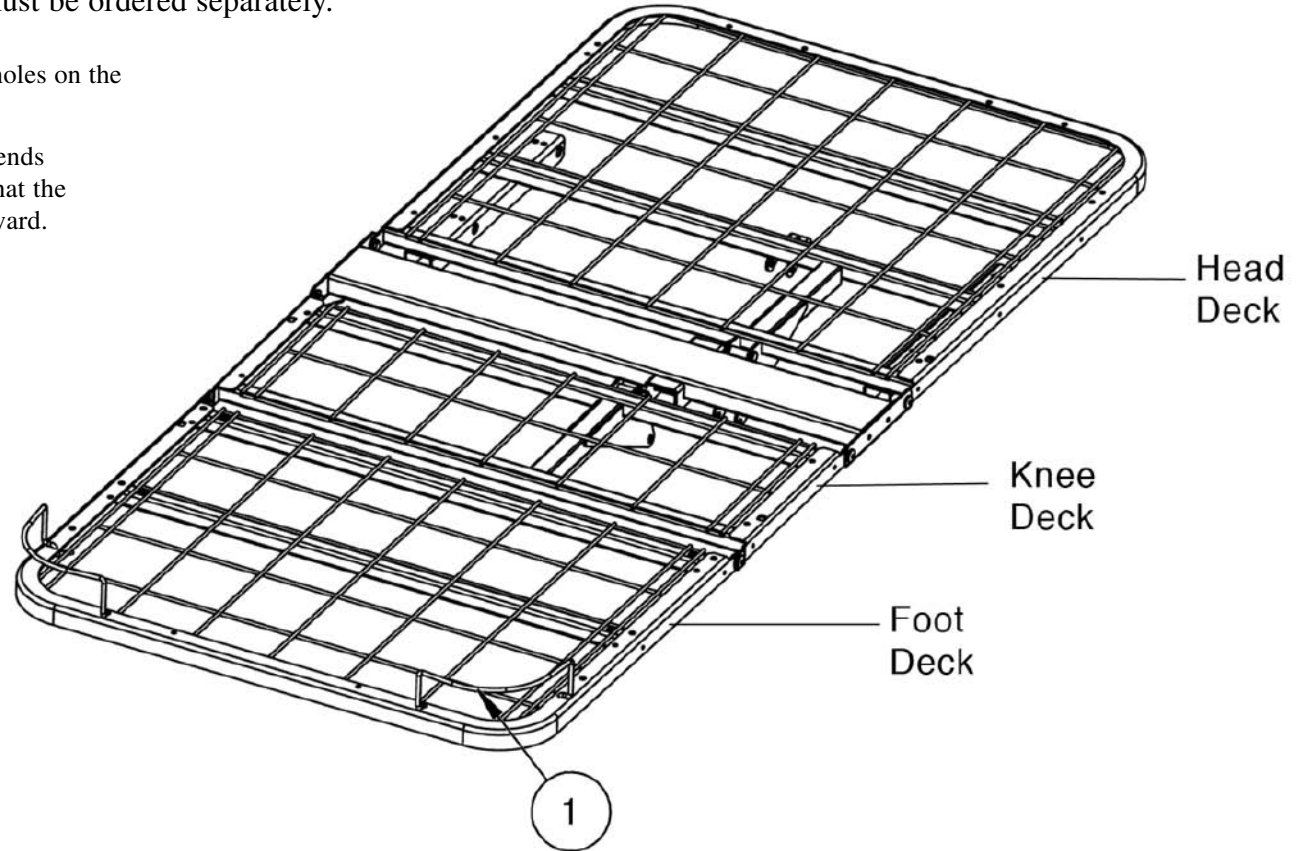


Figure A

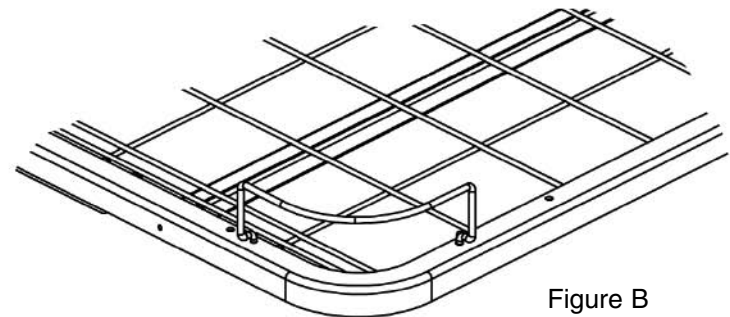


Figure B

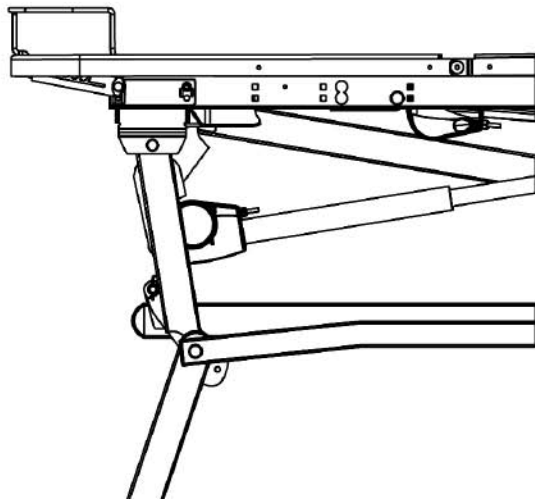


OPERATION OF OPTIONAL EDEMA FOOT RATCHET

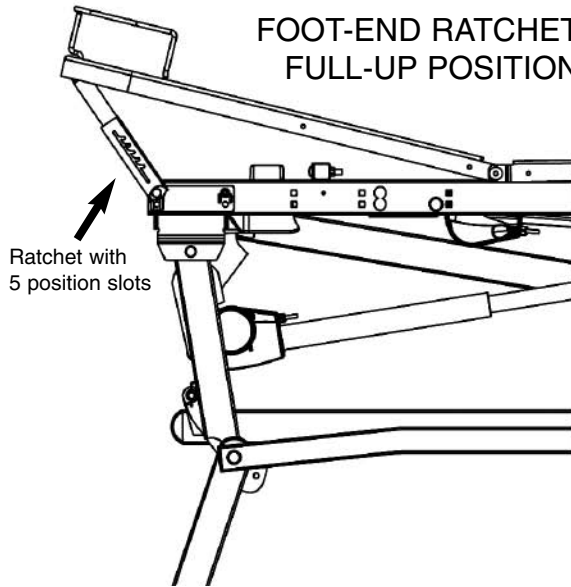
The foot ratchet allows the attendant to manually adjust the foot position for the resident/patient. It offers five different positions for comfort versatility. It was designed to be easily adjusted by hand.

Simply lift the foot end of the bed via the main frame and position the foot end in one of the five slots available for the preferred foot height. To release the ratchet so that it returns to the down position, lift the foot end to the outer most extension of the ratchet. This will release the pin from the slots and return the bed to the prone position.

FOOT-END RATCHET FULL-DOWN POSITION



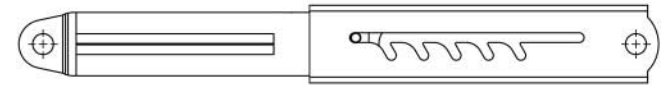
FOOT-END RATCHET FULL-UP POSITION



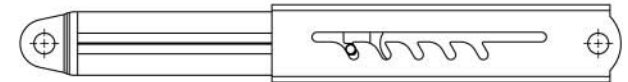
NOTE:

The foot-end ratchet adjustment can be used with the knee deck in any position.

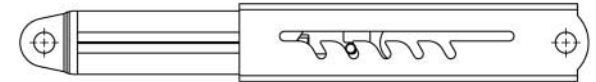
Ratchet Fully Extended



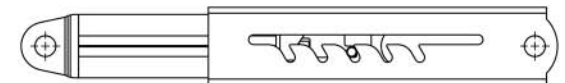
Ratchet in First Slot



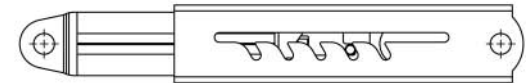
Ratchet Second Slot



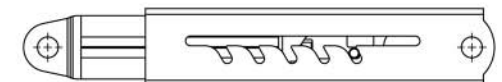
Ratchet in Third Slot



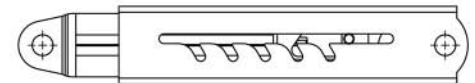
Ratchet in Fourth Slot



Ratchet in Fifth Slot



Ratchet Fully Collapsed



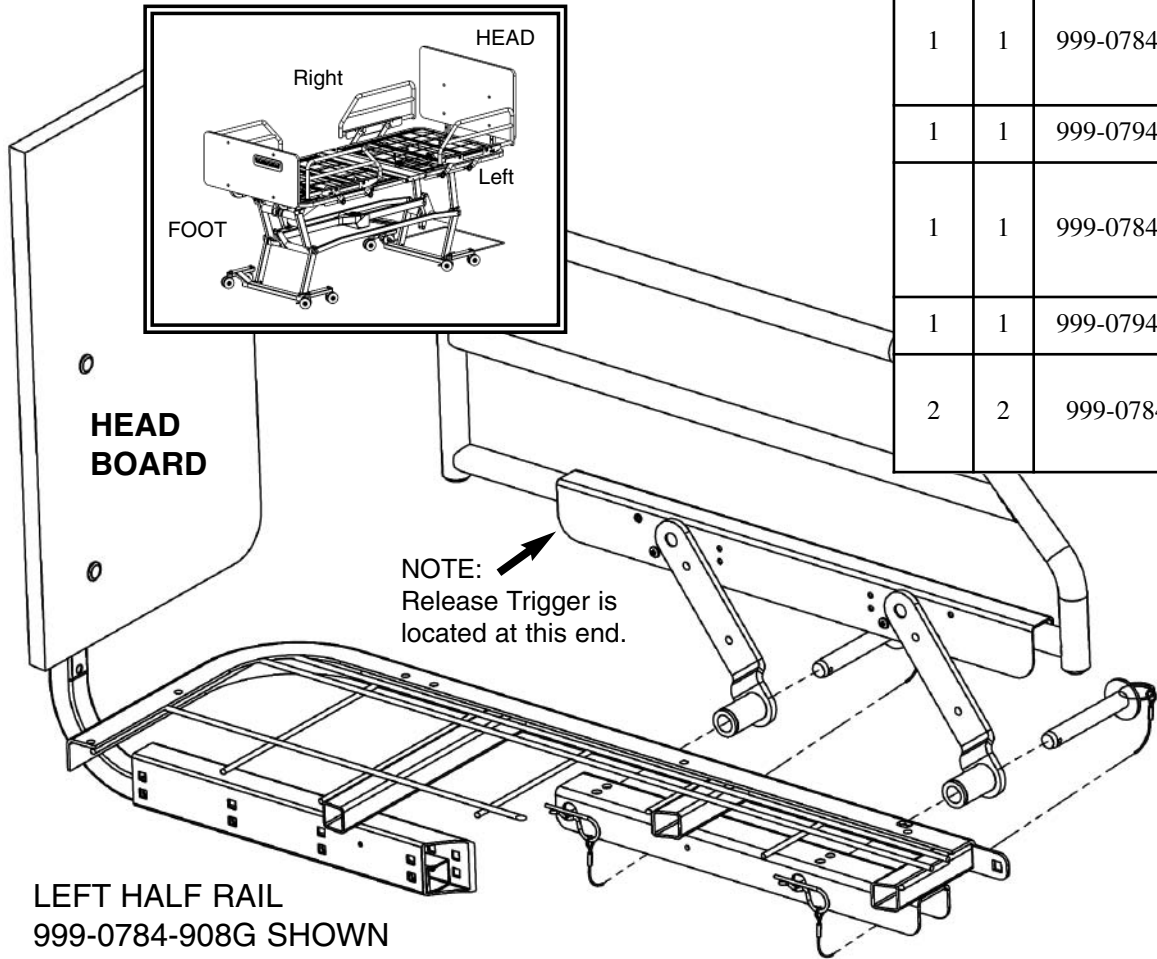
ACCESSORY ASSEMBLY

A

CESSORY ASSEMBLY - HEAD & FOOT HALF RAILS

HEAD-END HALF RAIL KIT: ZA78400

(Includes Part 999-0784-908G —Left Side and Part 999-0784-907G - Right Side, plus hardware bag)



Item #	Qty.	Part #	Description
1	1	999-0784-908G	Head-End Half Rail: Left-Hand Side - 76"
			Head-End Half Rail: Left-Hand Side - 80"
			Foot-End Half Rail: Right-Hand Side - 80" Only (Not shown)
1	1	999-0794-908G	Foot-End Half Rail: Right-Hand Side - 76" Only (Not shown)
1	1	999-0784-907G	Foot-End Half Rail: Left-Hand Side - 80" Only (Pg. 21)
			Head-End Half Rail: Right-Hand Side - 76" (Not shown)
			Head-End Half Rail: Right-Hand Side - 80" (Not shown)
1	1	999-0794-907G	Foot-End Half Rail: Left Hand Side - 76" Only (Pg. 21)
2	2	999-0784-100	Clevis Pin - 16mm. Dia. x 105mm. w/cross-hole, circle cotter, lanyard cable (LBK-3-06) and Hair Pin Clip

1. All Half Rails (#1) mount to the bed in a similar fashion. Left or right designations are based on the patient's orientation as he/she lies in the bed.
2. Insert the two Clevis Pins, with Circle Cotter and Lanyard Cable (#2), into the two Half Rail arms as shown.
3. Attach the Half Rail to the bed frame brace by aligning the arms and Clevis Pins to the holes on the brace. Slide the Clevis Pins so that they extend past the brace on the underside of the bed.
4. Insert the two Hair Pin Clips (#3) into the holes in the Clevis Pins to secure the rail to the bed.
5. **IMPORTANT:** Lubricate all pivot joints as needed. Aerosol White Lithium Grease is recommended.
6. **TO OPERATE:** Depress the Release Trigger to lower or raise the half rail assembly.

NO SPECIAL TOOLS REQUIRED



WARNING: The mattress support platform should always be placed in the flat position when not attended.

When assessing the Risk for Entrapment, you need to consider your bed, mattress, head- and footboards, half rails, assist bars, and other accessories as an entire system. All bed systems are evaluated for compliance to the FDA/CDRH "Hospital Bed System Dimensional and Assessment Guidance to Reduce Entrapment" guidelines.

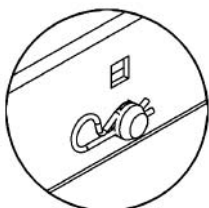
A resident/patient's condition could lead to resident/patient entrapment. It is extremely important to review the resident/patient's physical and mental condition, and initiate an appropriate individual care plan to address any entrapment risks.

80" FOOT-END HALF RAIL KIT: ZA78500

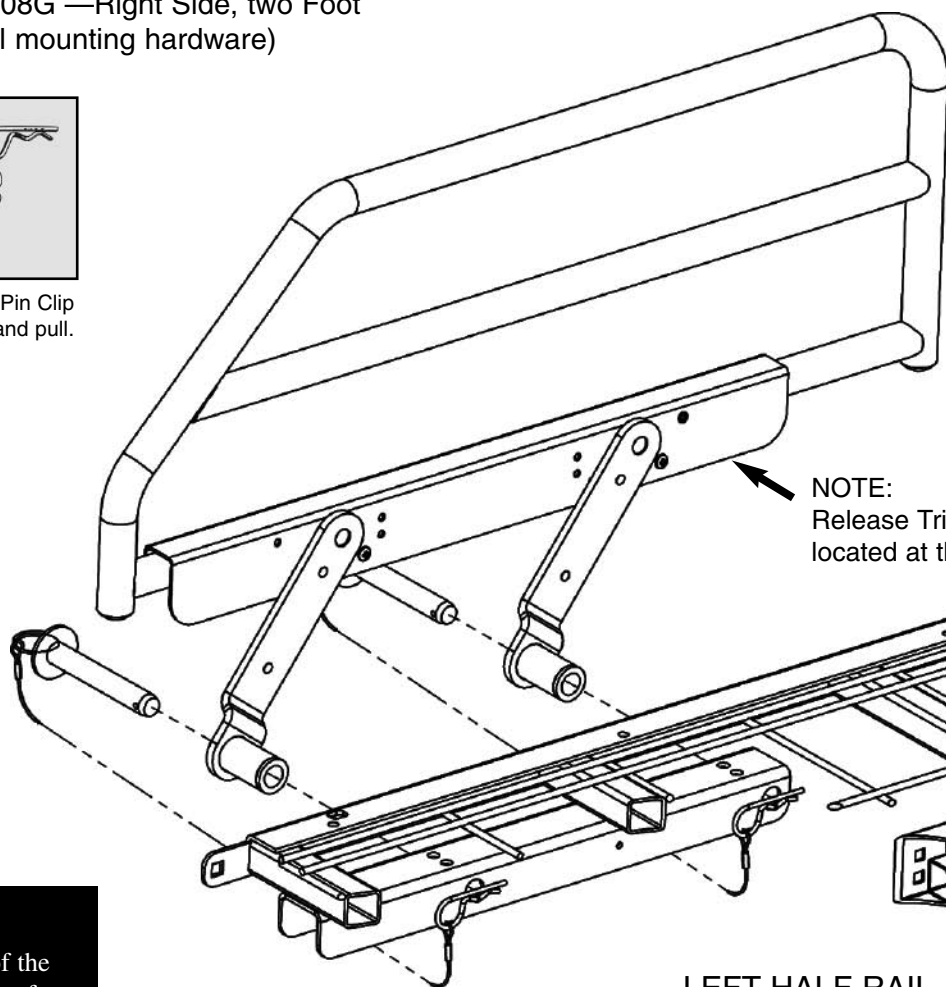
Includes (Part 999-0784-907G —Left Side, Part 999-0784-908G —Right Side, two Foot Brackets, and all mounting hardware)



To safely remove Hair Pin Clip grasp on circular end and pull.



Close-up of Hair Pin Clip (#8) inserted into hole in Clevis Pin (#7)



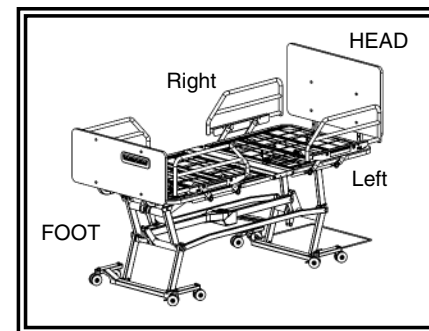
NOTE:
Release Trigger is located at this end.

LEFT HALF RAIL
999-0784-908G SHOWN

76" FOOT-END HALF RAIL KIT: ZA79400

Includes (Part 999-0794-907G —Left Side, Part 999-0794-908G —Right Side, two Foot Brackets, and all mounting hardware)

FOOT BOARD



NOTE:

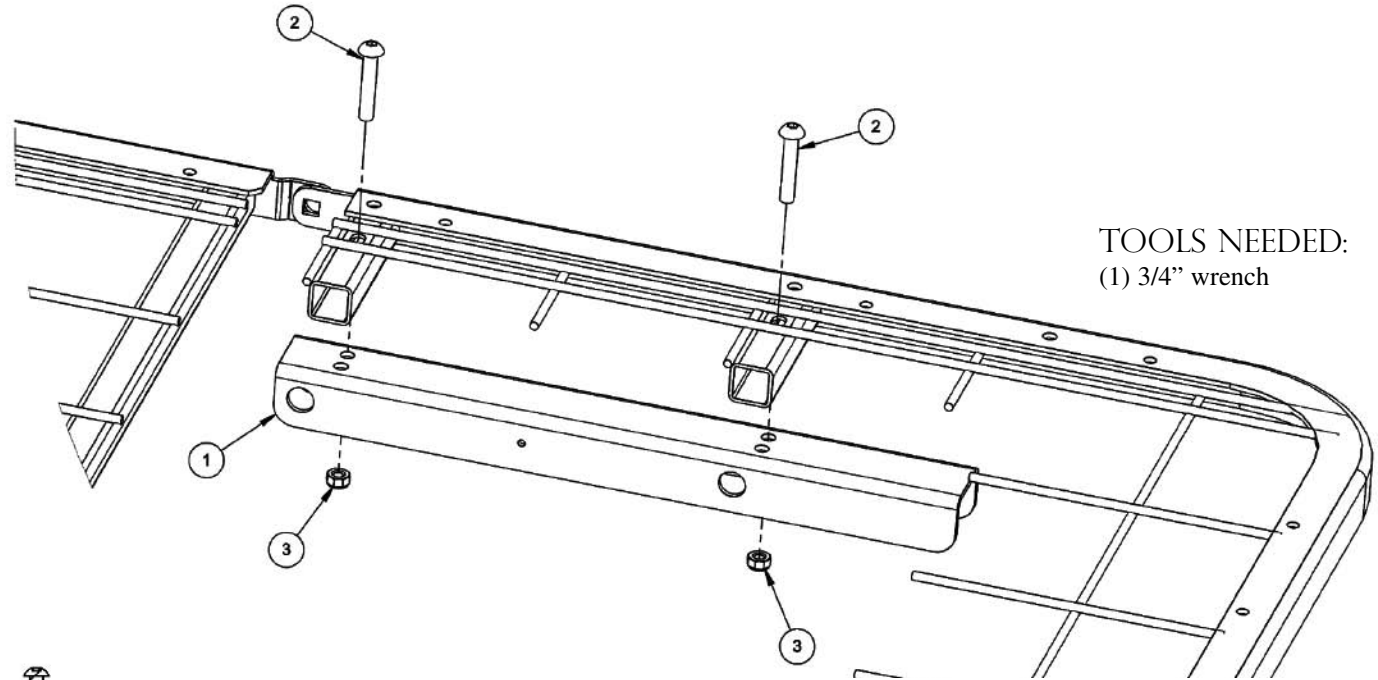
Pre-assembly of the Rail Bracket to the foot section is required before the foot-end Half Rail can be attached.
Please see page 22.

A

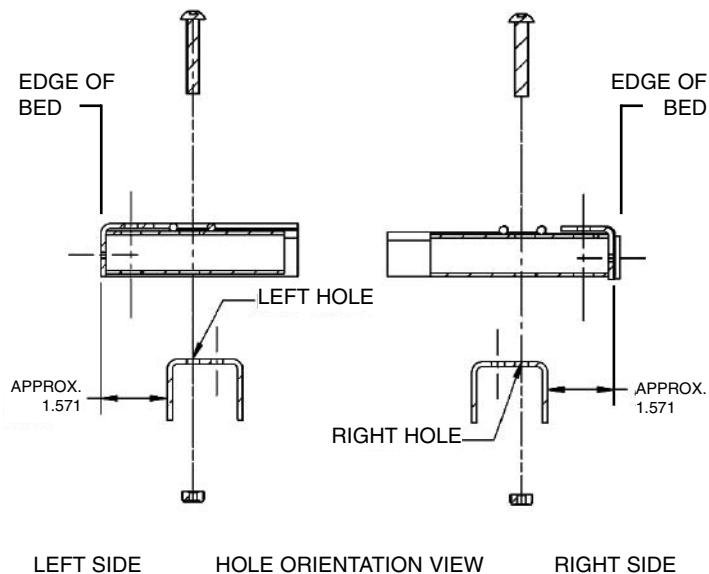
CESSORY ASSEMBLY - FOOT RAIL BRACKET FOR HALF RAILS

NOTE: Installation of Foot Bracket for Half Rails or Assist Bars is only necessary on the Foot Section of the bed frame.

1. Using the outer most holes of the Rail Bracket, install the Bracket (#1) with two 5/16-18 x 1-3/4" Bolts (#2) and two 5/16-18 Nylon Lock Nuts (#3) as shown. Make sure the longer end of the bracket is toward the foot-end of the Bed Frame.
2. Use a 5/16 wrench and secure tightly.



TOOLS NEEDED:
(1) 3/4" wrench



For 2 Half Rail Foot Brackets Order Hardware Bag/Kit: 999-0785-905
(NOTE: Two Foot Brackets & Hardware included with Half Rails in ZA78500)

Item #	Qty.	Part #	Description
1	2	999-0775-025G	Rail Bracket
2	4	100-5431-036	5/16-18 x 1-3/4 Button Head Machine Screw
3	4	100-6731-006	Thin Nylon Lock Nut 5/16-18

For 1 Assist Bar Foot Bracket Order Hardware Bag/Kit: 999-0786-995
(NOTE: Single Foot Bracket & Hardware included with Assist Bar in ZA80350)

Item #	Qty.	Part #	Description
1	1	999-0775-025G	Rail Bracket
2	2	100-5431-036	5/16-18 x 1-3/4 Button Head Machine Screw
3	2	100-6731-006	Thin Nylon Lock Nut 5/16-18

A

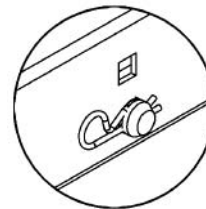
CESSORY ASSEMBLY - FOOT-END ASSIST BAR

NOTE: Pre-assembly of the Rail Bracket to the foot section is required before the Foot-End Assist Bar can be attached. Please see page 22.

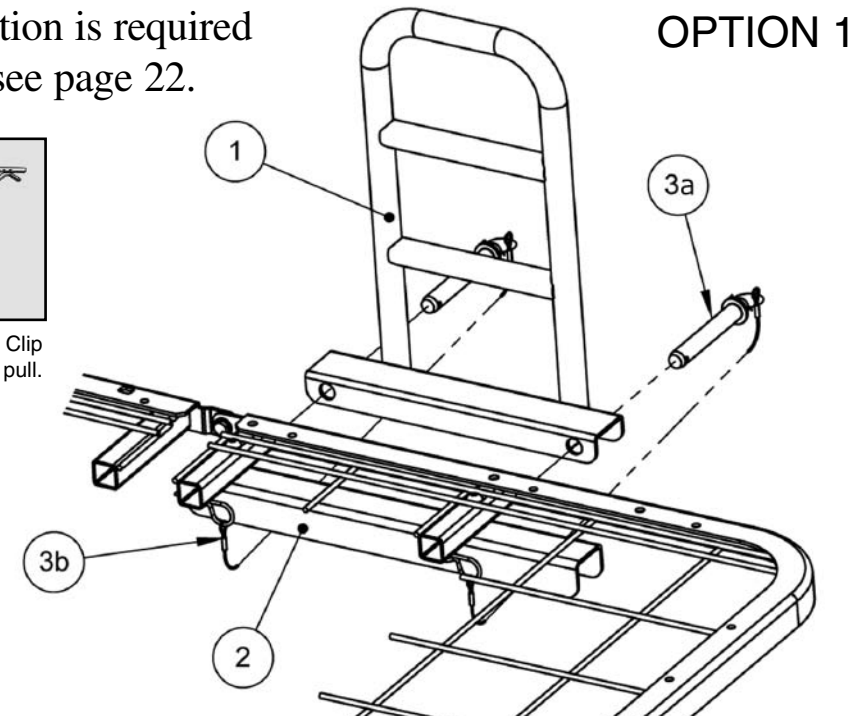
1. With the Assist Bar (#1) bracket facing inward toward the bed as shown, align the two holes on the bracket with the first and third holes (from the head-end of the bed) of the pre-welded head deck bracket (#2)
2. For the quick release option, insert the Clevis Pin end of the two Lanyard assemblies (3a) from the outside into the assist bar bracket holes. Insert the hair pins on the opposite end of the lanyard assemblies (3b) into the holes of the clevis pins.
3. For a fixed attachment option, insert two cap screws (#4) from the outside into the assist bar bracket holes. Secure the screws by attaching two Thin Nylon Lock Nuts (#5). Tighten with two 13/16 wrenches.



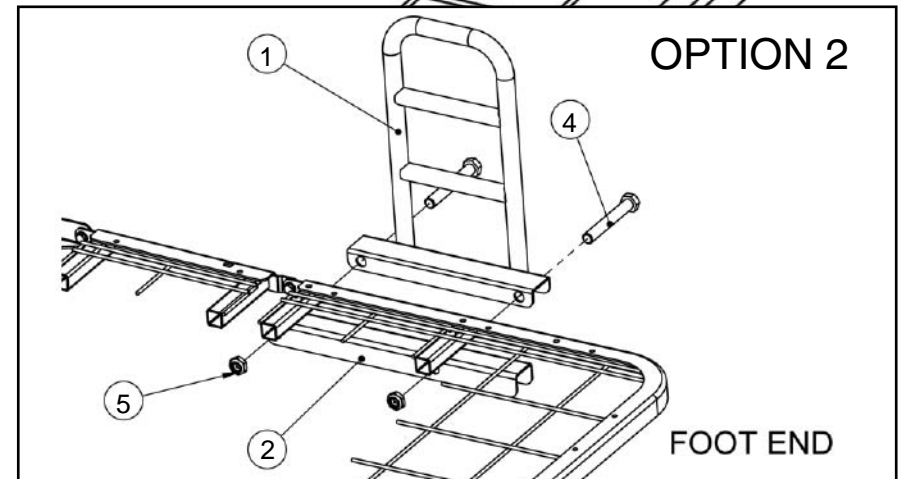
To safely remove Hair Pin Clip grasp on circular end and pull.



Close-up of Hair Pin Clip (#8) inserted into hole in Clevis Pin (#7)



OPTION 1



OPTION 2

FOOT END

Order Kit #ZA80350 - Includes Bracket and Hardware

Item #	Qty.	Part #	Description
1	1	999-0803-902G	Assist Bar - Foot End
2	1	999-0786-995 (included)	Attach Foot Rail Bracket (see page 22)
not shown	2	100-4710-003	1.00" Dia. End Cap
Option 1: Quick Release (in Hdw Bag 999-0803-905)			
3	2	999-0784-100	Quick Release Lanyard Assembly
Option 2: Fixed Attachment (in Hdw Bag 999-0803-905)			
4	2	100-5463-004	5/8-11 x 4.50" Hex Head Cap Screw
5	2	100-6763-001	5/8-11 Thin Nylon Lock Nut



WARNING: The mattress support platform should always be placed in the flat position when not attended.

When assessing the Risk for Entrapment, you need to consider your bed, mattress, head- and footboards, half rails, assist bars, and other accessories as an entire system. All bed systems are evaluated for compliance to the FDA/CDRH "Hospital Bed System Dimensional and Assessment Guidance to Reduce Entrapment" guidelines.

A resident/patient's condition could lead to resident/patient entrapment. It is extremely important to review the resident/patient's physical and mental condition, and initiate an appropriate individual care plan to address any entrapment risks.

A

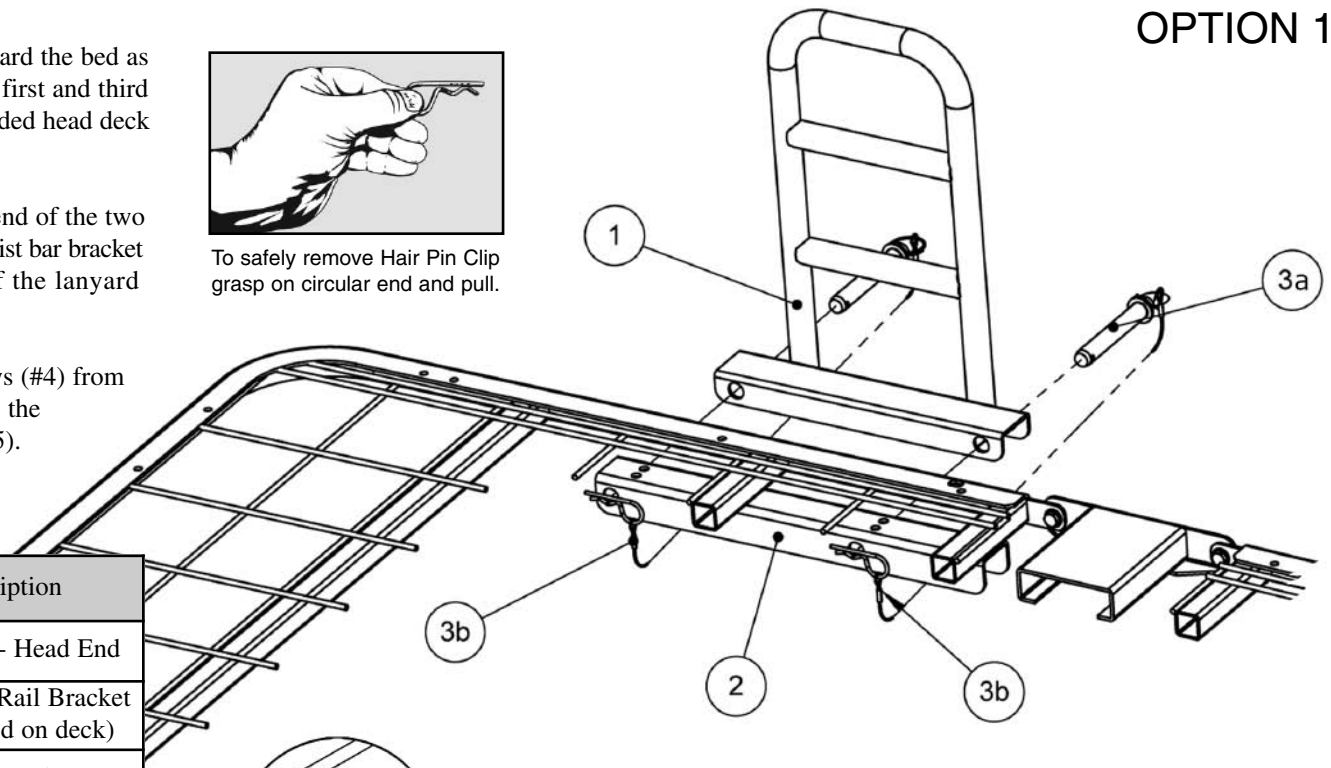
CESSORY ASSEMBLY - HEAD-END ASSIST BAR

1. With the Assist Bar (#1) bracket facing inward toward the bed as shown, align the two holes on the bracket with the first and third holes (from the head-end of the bed) of the pre-welded head deck bracket (#2)
2. For the quick release option, insert the Clevis Pin end of the two Lanyard assemblies (3a) from the outside into the assist bar bracket holes. Insert the hair pins on the opposite end of the lanyard assemblies (3b) into the holes of the clevis pins.
3. For a fixed attachment option, insert two cap screws (#4) from the outside into the assist bar bracket holes. Secure the screws by attaching two Thin Nylon Lock Nuts (#5).



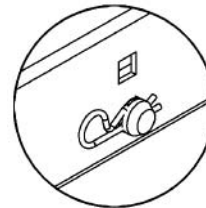
To safely remove Hair Pin Clip grasp on circular end and pull.

OPTION 1



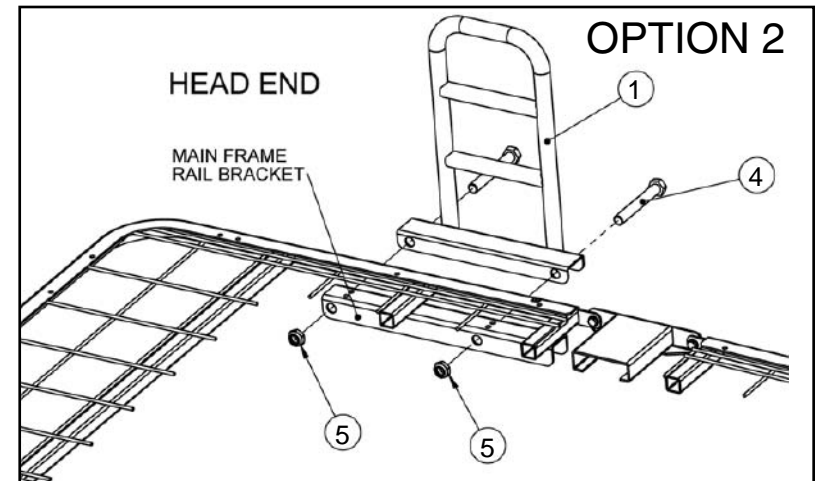
Order Kit #ZA80300

Item #	Qty.	Part #	Description
1	1	999-0803-902G	Assist Bar - Head End
2	1	-	Head Deck Rail Bracket (pre-welded on deck)
not shown	2	100-4710-003	1.00" Dia. End Caps
Quick Release Option 1 (in Hdw Bag 999-0803-905)			
3	2	999-0784-100	Quick Release Lanyard Assembly
Fixed Attachment Option 2 (in Hdw Bag 999-0803-905)			
4	2	100-5463-004	5/8-11 x 4.50" Hex Head Cap Screw
5	2	100-6763-001	5/8-11 Thin Nylon Lock Nut



Close-up of Hair Pin Clip (#8) inserted into hole in Clevis Pin (#7)

OPTION 2



WARNING: The mattress support platform should always be placed in the flat position when not attended.

When assessing the Risk of Entrapment, you need to consider your bed, mattress, head- and footboards, half rails, assist bars, and other accessories as an entire system. All bed systems are evaluated for compliance to the FDA/CDRH "Hospital Bed System Dimensional and Assessment Guidance to Reduce Entrapment" guidelines.

A resident/patient's condition could lead to resident/patient entrapment. It is extremely important to review the resident/patient's physical and mental condition, and initiate an appropriate individual care plan to address any entrapment risks.

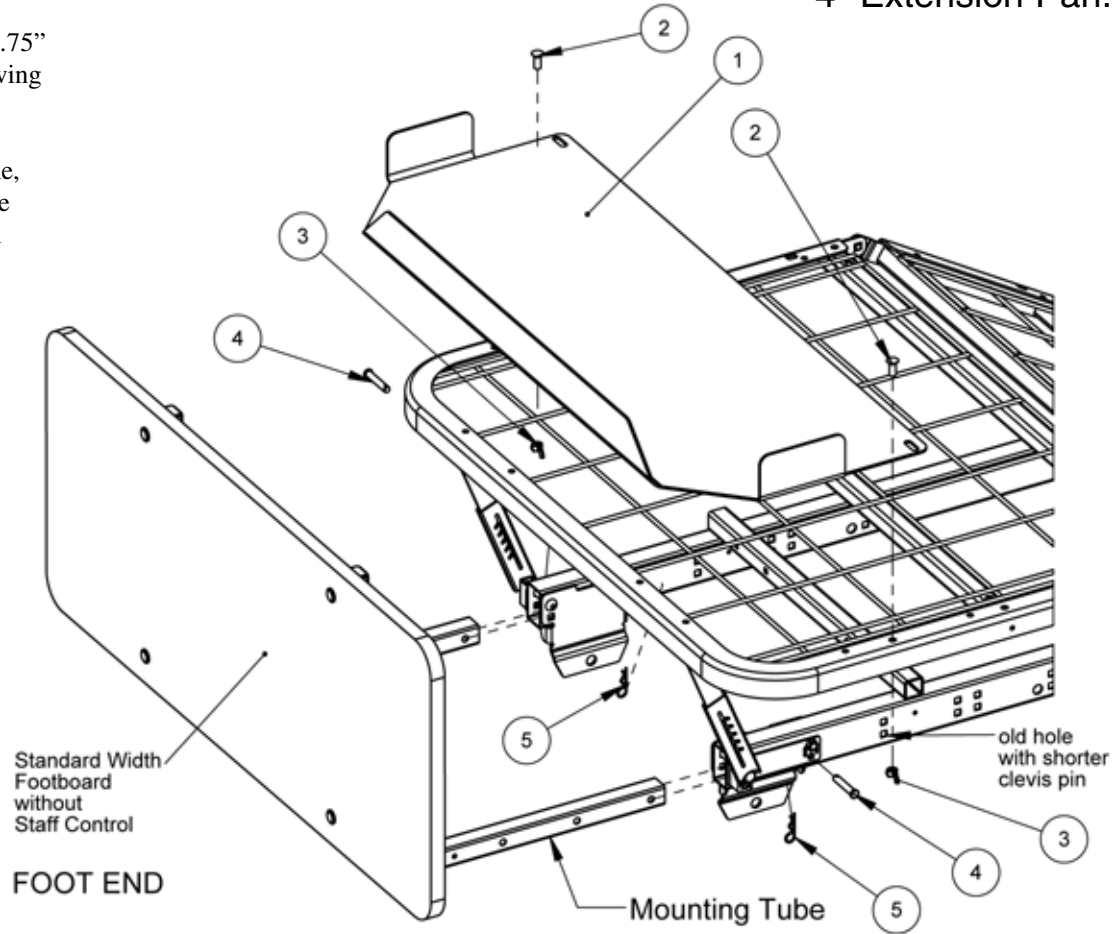
A

CESSORY ASSEMBLY - STANDARD 4" EXTENSION PAN KIT

ASSEMBLY INSTRUCTIONS

1. Raise the bed to a comfortable working height and elevate the knee deck to its highest position. Now unplug the power cord.
2. Separate the footboard assembly from the main frame by removing the existing clevis pins and hair pin clips. Put aside hardware. You will reuse the hair pin clips later.
3. Attach the standard 4" extension pan (#1) to the foot deck using two 5/16-18 x .75" carriage bolts (#2) through the top designated holes and secure tightly with two wing nuts (#3) from the bottom.
4. Now reinstall the footboard assembly by sliding the mounting tubes into the frame, lining up the holes as shown (Note: The last hole in the tube will now be one hole closer to the end of the main frame). Insert the 5/16 x 1.75" clevis pins (#4) from the outside in and secure with 1-9/16 hair pin clips (#5).
5. Replug the power cord and verify that all bed functions work properly and all parts have adequate clearance.

PICTURED:
Zenith III Foot End with
Standard- Footboard,
Edema Ratchets, and
4" Extension Pan.



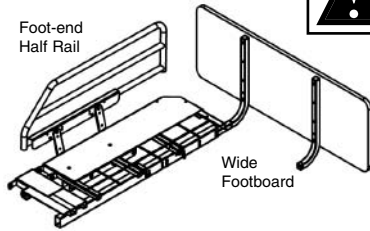
STANDARD KIT: #ZA71900 (Includes Items 1 - 4)
Hardware Bag 999-0719-995)

Item #	Qty.	Part #	Description
1	1	999-0719-001G	Standard 4" Extension Pan
2	2	100-5231-001	5/16-18 x .75" Carriage Bolt
3	2	100-6931-001	5/16-18 Wing Nut
4	2	100-7931-006	5/16 x 1.75" Clevis Pin w/Hole
5	2	100-2001-006	1-9/16 Hair Pin Clip (Use existing)

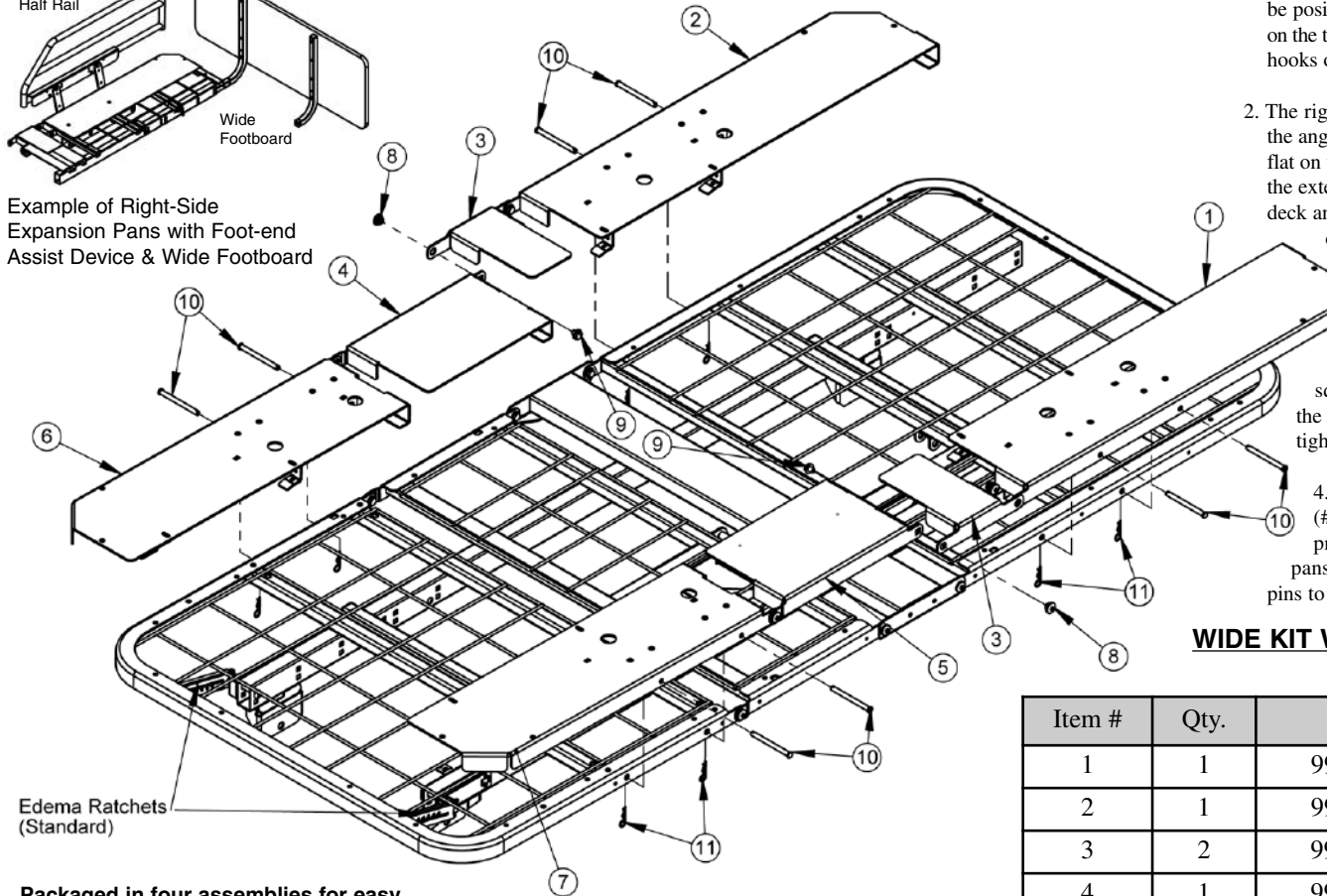
A

CESSORY ASSEMBLY - 42" WIDE DECK (ORDER KIT# ZA811000)

WARNING: To reduce the risk of entrapment it is highly recommended to include both wide head- & footboards and assist devices when purchasing any 42" expansion kit. A variety of complete kits are available.



Example of Right-Side Expansion Pans with Foot-end Assist Device & Wide Footboard



Packaged in four assemblies for easy assembly (kit includes all mounting hardware)

5/16-18 Machine Screws Self-Wrenching Nuts

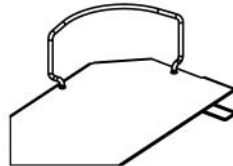


Right Side Foot Assembly Right Head Foot Assembly



Left Side Foot Assembly Left Side Head Assembly

Wide Kit Mattress Retainers



The Zenith III expansion kit uses standard 6" mattress retainers (999-0814-001) ORDER KIT# 999-0814-000 for two retainers.

ASSEMBLY INSTRUCTIONS

1. Align the right-hand foot assembly above the foot and knee decks with the angle hooks facing downward and toward the foot end. The right knee extension (#4) hook should be positioned just above the knee deck (toward the head end). Place the assembly flat on the two decks making sure they are flush with the decks' sides. Slide the foot extension's hooks onto the foot-end decks. Follow the same procedure for the left side.
2. The right-hand head assembly should be aligned above the head-deck as shown, with the angle hook positioned downward and just above the head deck. Place the assembly flat on the head deck and seat pan making sure they are flush with the deck's side. Slide the extension assembly toward the foot end to lock the extension's hooks onto the head deck and pan seat. **Make sure that the right-hand seat pan extension (#3) is on the outside of the right-hand knee extension (#4).** Follow the same procedure for the left side.
3. Locate the two 5/16-18 x .375" Hex Washer Head Machine Screws (#9) and the two Self-Wrenching Nuts (#8) in your hardware bag. From the outside, insert a self-wrenching nut so that the square part of the nut fits into the square hole of the head assembly mounting arm and the end extends through the hole in the foot mounting arm. From the inside, screw in a machine screw and tighten using a 1/2" wrench. Follow the same procedure for the opposite side.
4. Locate the eight 5/16 x 3.50" Clevis Pins (#10) and eight 1-9/16 Hair Pin Clips (#11) in your hardware bag. From the outside, insert the clevis pins through the pre-drilled holes in the sides of the right- and left-hand head and foot expansion pans. From the inside, insert the hair pin clips into the exposed holes on the clevis pins to secure the pins to all decks.

WIDE KIT WITHOUT BOARDS: #ZA811000 (Includes Items 1 - 11)
(Hardware Box: 999-0811-950)

Item #	Qty.	Part #	Description
1	1	999-0811-921G	Left-Hand Head Extension Weldment
2	1	999-0811-922G	Right-Hand Head Extension Weldment
3	2	999-0810-004G	Left- & Right-Hand Seat Pan Extension
4	1	999-0810-012G	Right-Hand Knee Extension
5	1	999-0810-002G	Left-Hand Knee Extension
6	1	999-0811-932G	Right-Hand Foot Extension Weldment
7	1	999-0811-931G	Left-Hand Foot Extension Weldment
8	6	999-0032-010	Self-Wrenching Nut (4 pre-assembled on decks)
9	6	100-5431-002	5/16-18 x .375" Hex Washer Head Machine Screw (4 pre-assembled on decks)
10	8	100-7931-008	5/16 x 3.50" Clevis Pin w/Hole
11	8	100-2001-006	1-9/16 Hair Pin Clip

A

CESSORY ASSEMBLY - 4" WIDE DECK EXTENSION PAN KIT

ASSEMBLY INSTRUCTIONS

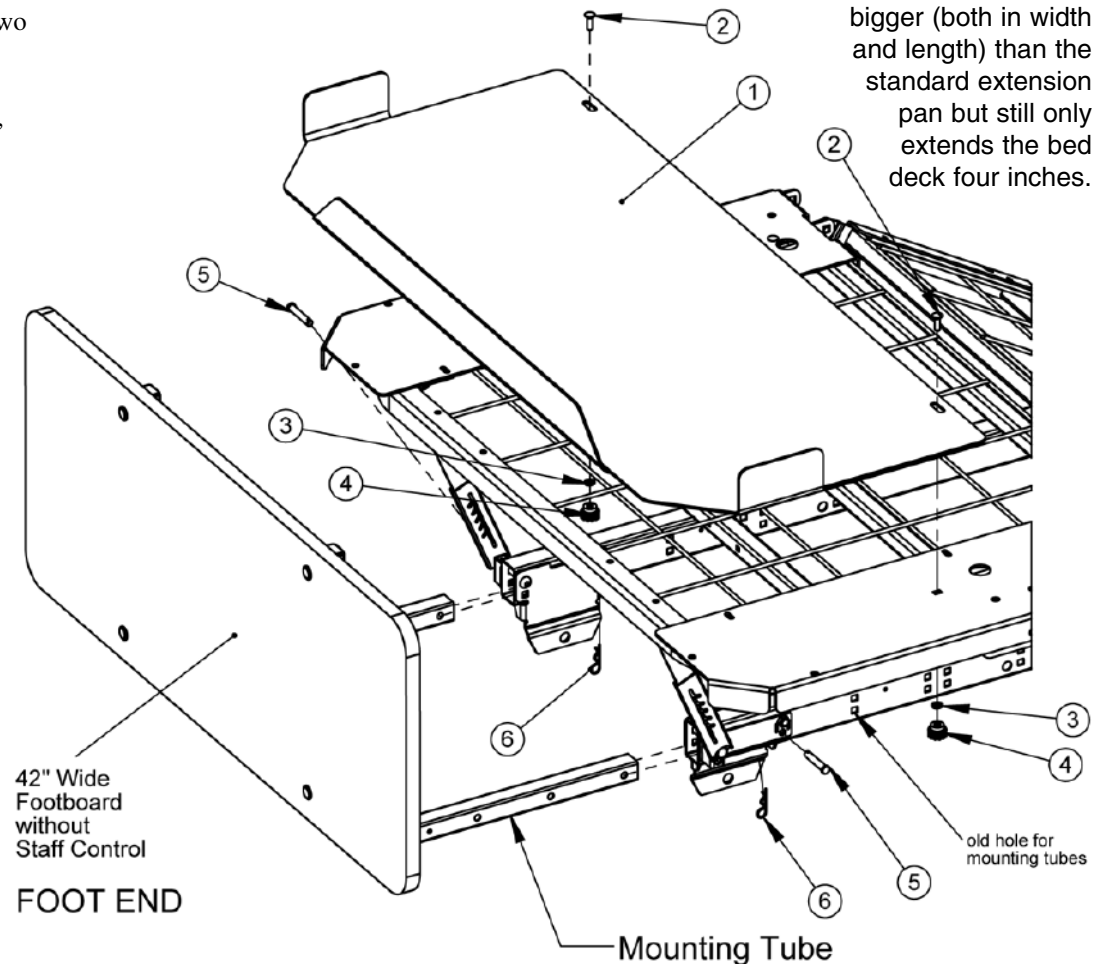
1. Raise the bed to a comfortable working height and elevate the knee deck to its highest position. Now unplug the power cord.
2. Separate the footboard assembly from the main frame by removing the existing clevis pins and hair pin clips. Put aside hardware. You will reuse the hair pin clips later.
3. Attach the wide 4" extension pan (#1) to the foot deck by inserting the two 1/4-20 x .75" Carriage Bolts (#2) from your hardware bag through the top designated holes and, from the bottom, secure the pan tightly to the deck with two Spring Washers (#3) and two Pan Knobs (#4).
4. Now reinstall the footboard assembly by sliding the mounting tubes into the frame, lining up the holes as shown (Note: The last hole in the tube will now be one hole closer to the end of the main frame). Insert the 5/16 x 1.75" clevis pins (#5) from the outside in and secure with 1-9/16 hair pin clips (#6).
5. Replug the power cord and verify that all bed functions work properly and all parts have adequate clearance.

STANDARD KIT: #ZA821000 (Includes Items 1 - 5)
Hardware Bag 999-0821-995)

Item #	Qty.	Part #	Description
1	1	999-0821-001G	4" Wide Kit Extension Pan
2	2	100-5231-001	1/4-20 x .75" Carriage Bolt
3	2	100-8525-001	1/4 Spring Lock Washer
4	2	999-0810-009	Black Pan Knob
5	2	100-7931-006	5/16 x 1.75" Clevis Pin w/Hole
6	2	100-2001-006	1-9/16 Hair Pin Clip (Use existing)

PICTURED:
Zenith III Foot End with
Standard Edema Ratchets,
Wide Footboard, and Wide Deck
4" Extension Pan.

NOTE:
The Extension Pan for the wide deck is actually bigger (both in width and length) than the standard extension pan but still only extends the bed deck four inches.

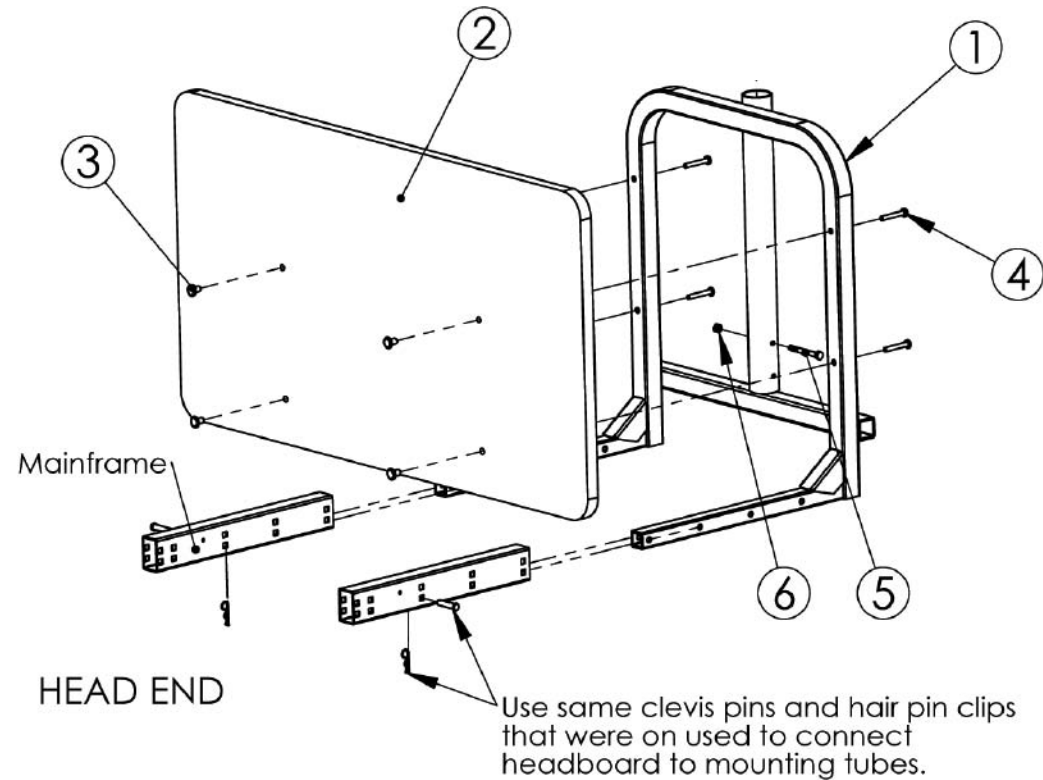


A

CESSORY ASSEMBLY - TRAPEZE SUPPORT

Assembly Kit# 999-0790-901

1. Remove the headboard panel assembly if previously assembled to bed by pulling out the Clevis Pins and Hair Pin Clips that attach the main frame tubes to the headboard's mounting tubes and set aside.
2. Detach the headboard panel from the mounting tubes by removing the four 1/4-20 x 1.5" Machine Screws from the mounting tubes.
3. Assemble the Trapeze Support to the bed frame using the two Clevis Pins and Hair Pin Clips you previously removed from the headboard's mounting tubes.
4. Insert a 1/4-20 x 2.5" Carriage Bolt (#5) into the vertical support as shown and fasten with a 1/4-20 Hex Head Lock Nut (#6).
5. Assemble the headboard to Trapeze Support using the four new 1/4-20 x 20mm JCB Hex Fit Bolts (#4) from your hardware bag, threading them through the headboard into the 1/4-20 inserts. DO NOT OVERTIGHTEN.



6. **OPTIONAL—FOR TMI TRAPEZE BAR**
Insert the Sleeve (#7) into the vertical support with the slot on the bottom as shown. Rotate the sleeve until it falls into place over the bolt and into a locked position. **(Top of Sleeve will be flush with top of vertical support on the Trapeze Adaptor.)**

TOOLS NEEDED:

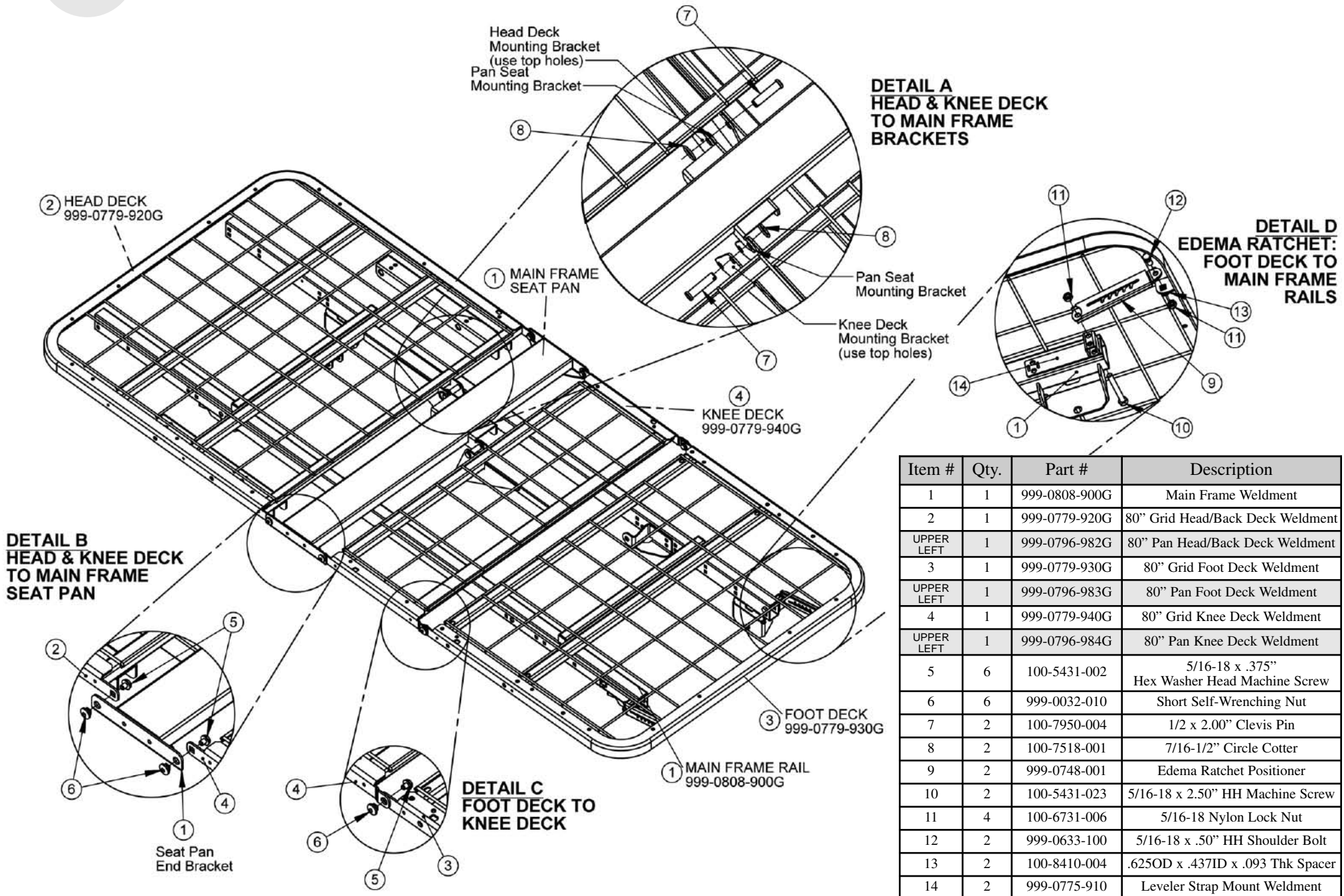
- (1) 4mm allen wrench (included)
and (1) 7/16" wrench

Item #	Qty.	Part #	Description
1	1	999-0790-901G	Trapeze Support Assembly
2	1	Headboard	Headboard - 8" Boring
3	4	100-7025-004	1/4-20 x .60 Insert
4	4	100-5425-0093	1/4-20 x 20mm JCB-B Hex Fit Bronze Bolts
5	1	100-5425-059	1/4-20 x 2.50" Hex Head Cap Screw
6	1	100-6725-005	1/4-20 Hex Head Lock Nut

PARTS & HARDWARE

A

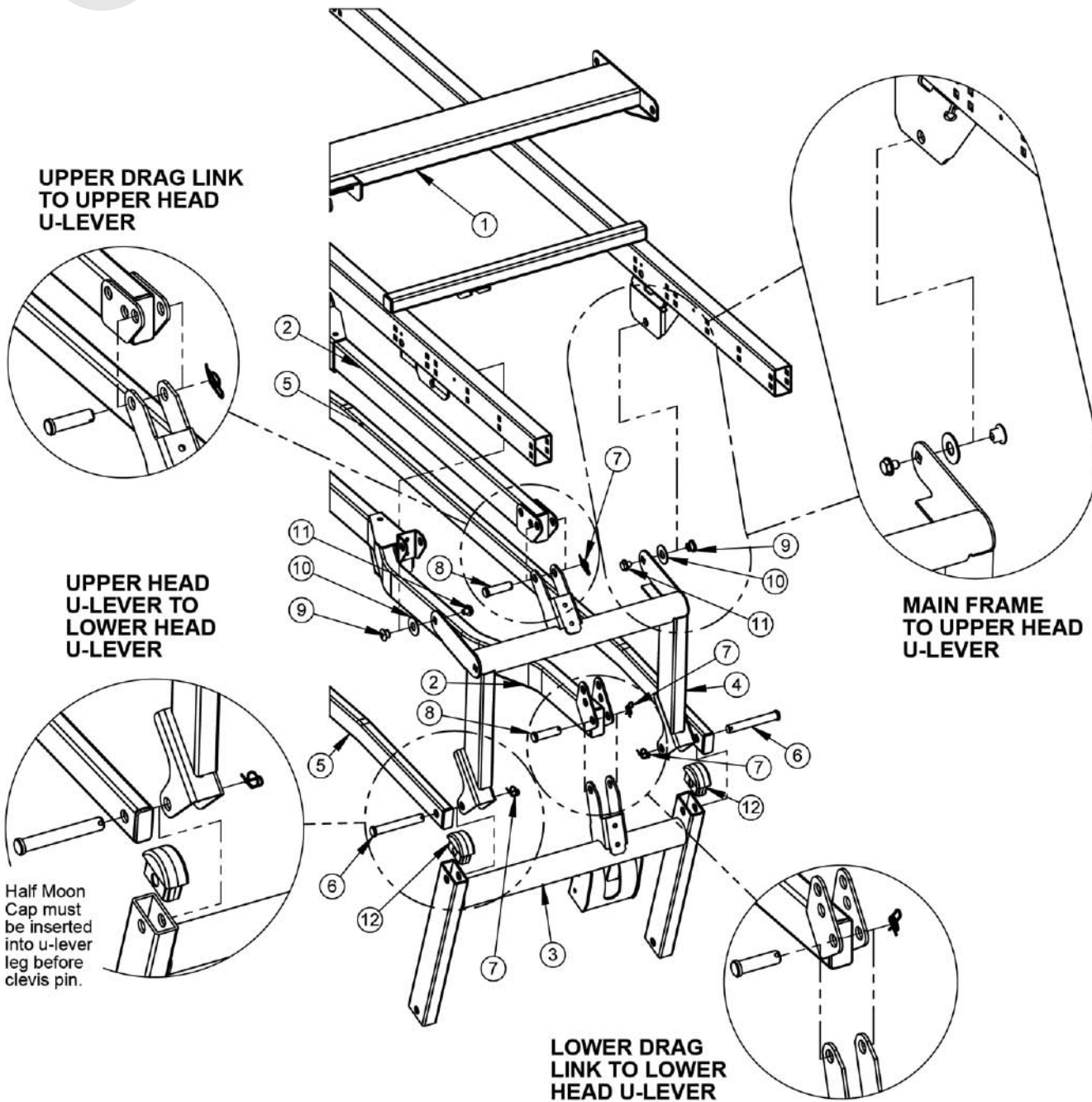
ASSEMBLY OF HEAD, KNEE, & FOOT DECKS TO MAIN FRAME



Item #	Qty.	Part #	Description
1	1	999-0808-900G	Main Frame Weldment
2	1	999-0779-920G	80" Grid Head/Back Deck Weldment
UPPER LEFT	1	999-0796-982G	80" Pan Head/Back Deck Weldment
3	1	999-0779-930G	80" Grid Foot Deck Weldment
UPPER LEFT	1	999-0796-983G	80" Pan Foot Deck Weldment
4	1	999-0779-940G	80" Grid Knee Deck Weldment
UPPER LEFT	1	999-0796-984G	80" Pan Knee Deck Weldment
5	6	100-5431-002	5/16-18 x .375" Hex Washer Head Machine Screw
6	6	999-0032-010	Short Self-Wrenching Nut
7	2	100-7950-004	1/2 x 2.00" Clevis Pin
8	2	100-7518-001	7/16-1/2" Circle Cotter
9	2	999-0748-001	Edema Ratchet Positioner
10	2	100-5431-023	5/16-18 x 2.50" HH Machine Screw
11	4	100-6731-006	5/16-18 Nylon Lock Nut
12	2	999-0633-100	5/16-18 x .50" HH Shoulder Bolt
13	2	100-8410-004	.625OD x .437ID x .093 Thk Spacer
14	2	999-0775-910	Leveler Strap Mount Weldment

A

SEMBLY OF MAIN FRAME TO U-LEVERS & DRAG LINKS - HEAD END



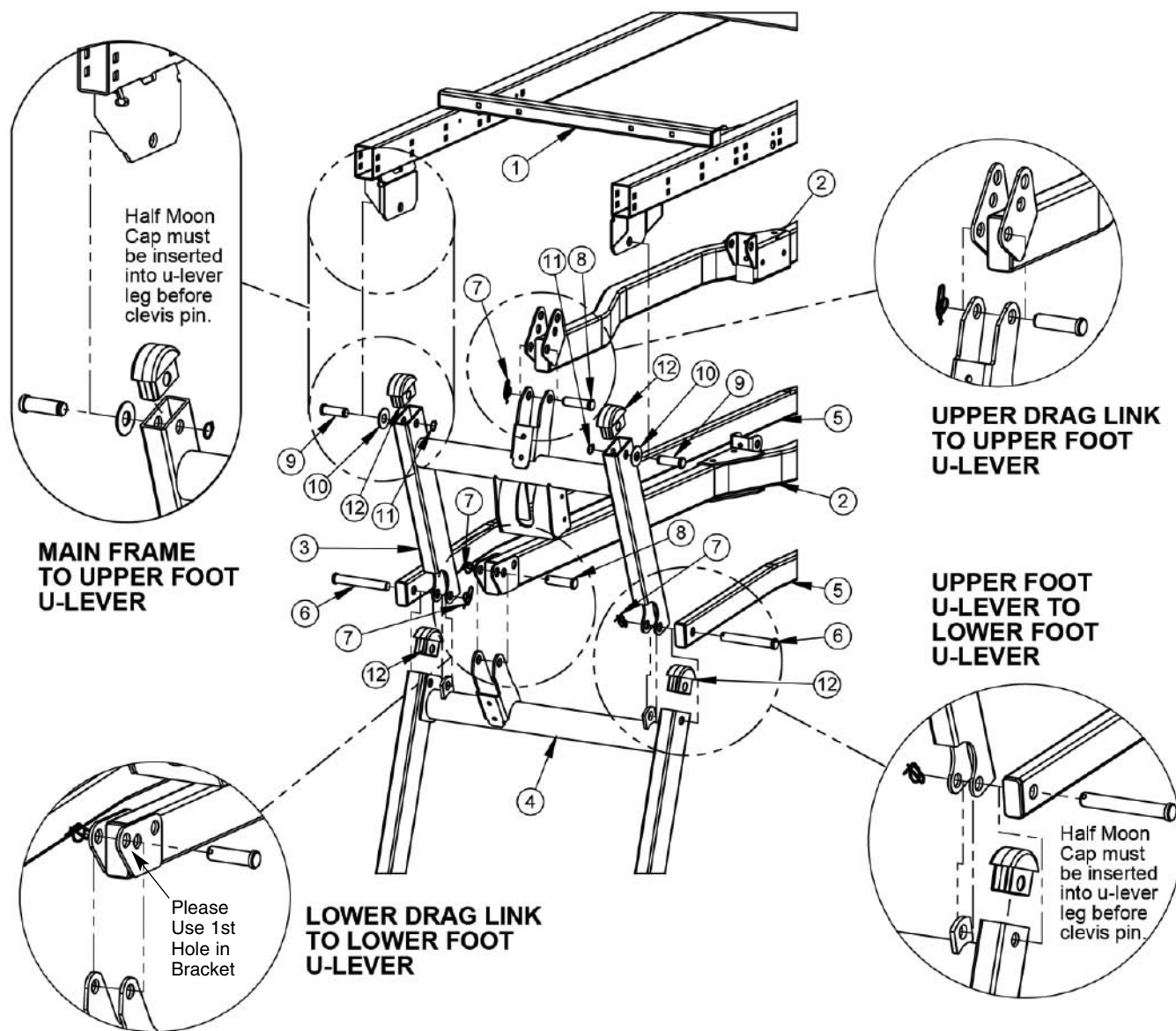
Item #	Qty.	Part #	Description
1	1	999-0808-900G	Main Frame Weldment
2	2	999-0807-906G	Drag Link Weldment
3	1	999-0808-913G	Lower Head U-lever
4	1	999-0808-914G	Upper Head U-lever
5	2	999-0808-012G	Spanner Tube
6	2	100-7950-006	.50" x 3.50" Clevis Pin w/hole
7	4	100-7500-015	.50" Reg. .062 Rue Ring
8	2	100-7950-005	.50" x 1.75" Clevis Pin w/hole
9	2	806-0277-008	.Long Self-Wrenching Nut
10	2	100-8601-001	1.250D x .516ID x .062Thk Washer
11	2	100-5431-002	5/16-18 x .375" Hex Washer Head Machine Screw
12	2	999-0775-001	Half Moon Cap

The bed's Hi/Lo Actuators/Motors are attached to the Drag Links and are used to raise and lower the bed. The drag links are attached to U-lever assemblies at both the head and foot ends. The upper u-lever is attached to the upper drag link and the lower u-lever is attached to the lower drag link (The upper and lower drag links are the same part). Both of the upper and lower u-levers are hinged to each other using a series of clevis pins. Two Spanner Tubes are used to link the head and foot u-lever assemblies.

Please see the next page for head u-lever assembly instructions.

A

SEMBLY OF MAIN FRAME TO U-LEVERS & DRAG LINKS - FOOT END



Item #	Qty.	Part #	Description
1	1	999-0808-900G	Main Frame Weldment
2	2	999-0807-906G	Drag Link Weldment
3	1	999-0808-904G	Upper Foot U-lever
4	1	999-0808-903G	Lower Foot U-lever
5	2	999-0808-012G	Spanner Tube
6	2	100-7950-006	.50" x 3.50" Clevis Pin w/hole
7	4	100-7500-015	.50" Reg. .062 Rue Ring
8	2	100-7950-005	.50" x 1.75" Clevis Pin w/hole
9	2	999-0779-401	.50" x 1.50" Clevis Pin w/groove
10	2	100-8601-001	1.25OD x .516ID x .062Thk Washer
11	2	100-8050-002	.50" External Snap Ring
12	4	999-0775-001	Half Moon Cap

The bed's Hi/Lo Actuators/Motors are attached to the Drag Links and are used to raise and lower the bed. The drag links are attached to U-lever assemblies at both the head and foot ends. The upper u-lever is attached to the upper drag link and the lower u-lever is attached to the lower drag link (The upper and lower drag links are the same part). Both of the upper and lower u-levers are hinged to each other using a series of clevis pins. Two Spanner Tubes are used to link the head and foot u-lever assemblies.

Please see the previous page for foot u-lever assembly instructions.

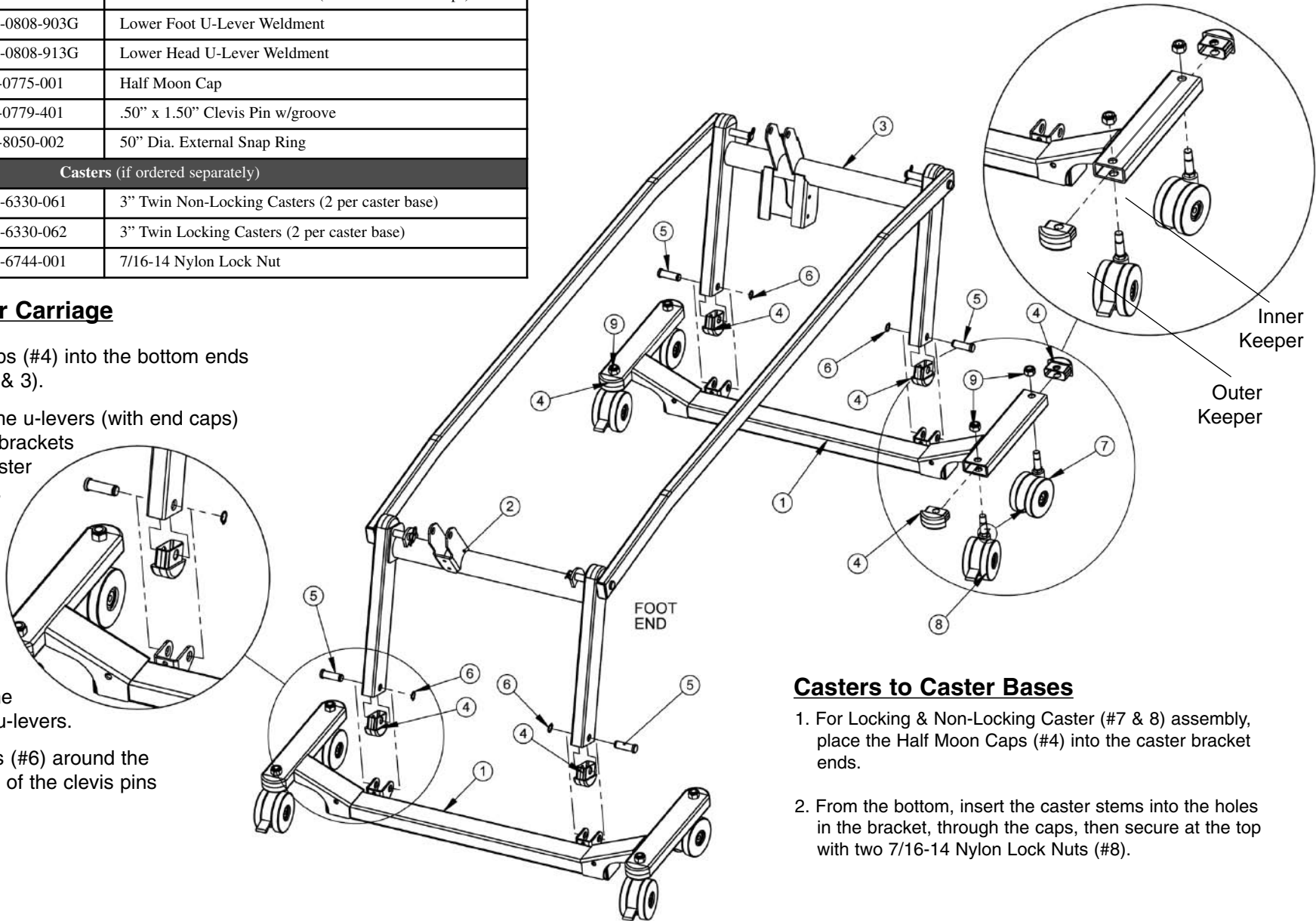
A

ASSEMBLY OF U-LEVERS & KEEPERS TO STANDARD CASTER BASES

Item #	Qty.	Part #	Description
1	2	999-0808-955G	80" Standard Caster Base Assm.(incl. 4 casters & 4 caps)
2	1	999-0808-903G	Lower Foot U-Lever Weldment
3	1	999-0808-913G	Lower Head U-Lever Weldment
4	8	999-0775-001	Half Moon Cap
5	4	999-0779-401	.50" x 1.50" Clevis Pin w/groove
6	4	100-8050-002	50" Dia. External Snap Ring
Casters (if ordered separately)			
7	4	100-6330-061	3" Twin Non-Locking Casters (2 per caster base)
8	4	100-6330-062	3" Twin Locking Casters (2 per caster base)
9	8	100-6744-001	7/16-14 Nylon Lock Nut

U-Levers to Caster Carriage

- Place Half Moon Caps (#4) into the bottom ends of both U-levers (#2 & 3).
- Align the bottom of the u-levers (with end caps) inside the mounting brackets connected to the Caster Base Assembly (#1).
- Locate the four .50" x 1.50" Clevis Pins (#5) and, from the outside, insert them into the mounting bracket holes and through the bottom holes of the u-levers.
- Slide the Snap Rings (#6) around the grooves on the ends of the clevis pins to secure.



Casters to Caster Bases

- For Locking & Non-Locking Caster (#7 & 8) assembly, place the Half Moon Caps (#4) into the caster bracket ends.
- From the bottom, insert the caster stems into the holes in the bracket, through the caps, then secure at the top with two 7/16-14 Nylon Lock Nuts (#8).

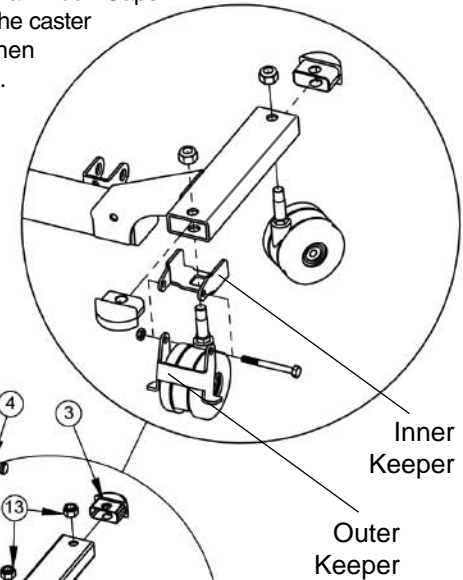
A

SEMBLY OF U-LEVERS & KEEPERS TO LOCKING CASTER BASES

Item #	Qty.	Part #	Description
1	1	999-0808-913G	Lower Head U-Lever Weldment
2	1	999-0808-903G	Lower Foot U-Lever Weldment
3	4	999-0775-001	Half Moon Cap
4	4	999-0779-401	.50" x 1.50" Clevis Pin w/groove
5	4	100-8050-002	50" Dia. External Snap Ring
6	1	999-0808-980G	80" Pedal Lock Caster Base Assm.(incl. 4 casters & 4 caps)
7	1	999-0808-958G	Caster base w/Keepers Assm.(incl. 4 casters & 4 caps) . . .
8	2	100-5425-059	includes: 1/4-20 x 2.50" Hex Head Cap Screws
9	2	100-6725-003	includes: 1/4-20 Thin Nylon Lock Nuts
10	2	999-0775-151G	includes: Outer Keepers Only - Caster Swing Lock
11	2	999-0775-150G	includes: Inner Keepers Only - Caster Swing Lock
Casters (if ordered separately)			
12	8	100-6330-061	3" Twin Non-Locking Casters (4 per caster base)
13	8	100-6744-001	7/16-14 Nylon Lock Nut

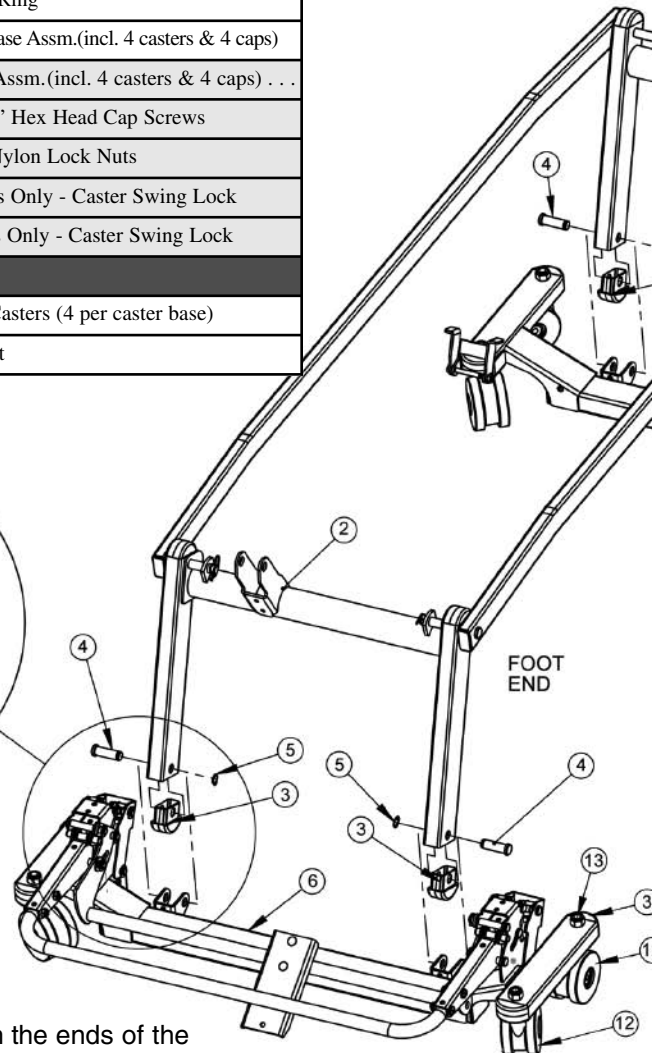
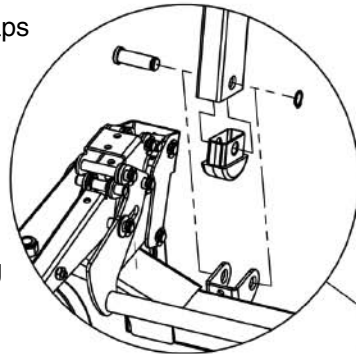
Casters to Caster Bases

- To attach the eight Non-locking Casters (#12), place the Half Moon Caps (#3) into the caster bracket ends. From the bottom, insert the caster stems into the holes in the bracket, through the caps, then secure at the top with two 7/16-14 Nylon Lock Nuts (#13).



U-Levers to Caster Carriage

- Place Half Moon Caps (#3) into the ends of both U-levers (#1 & #2).
- Align the bottom of the u-levers (with end caps) inside the mounting brackets connected to the Caster Base Assembly (#7) and 80" Pedal Lock Caster Base Assembly (#6).
- Locate the four 1/2 x 1.50" Clevis Pins (#4) and, from the outside, insert them into the mounting bracket holes and through the bottom holes of the u-levers.
- Slide the Snap Rings (#5) around the grooves on the ends of the clevis pins to secure.



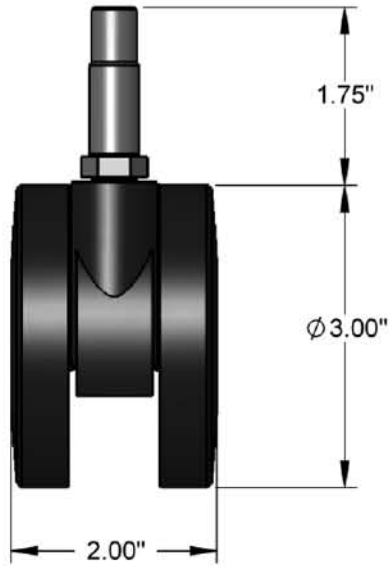
Caster Locking Keepers to Caster Base

- To attach Locking Keepers and Casters to the caster base, first position the Inner Keepers (#11) on to the sides of the caster base brackets as shown. Insert the Half Moon Caps into the bracket ends and, from the bottom, insert the caster stem through the square holes on the inner keepers and the holes in the caster bracket. Secure at the top using two 7/16-14 Nylon Lock Nuts (#13).
- To attach the Outer Keepers (#10), align the keepers' holes with the holes on the inner keeper brackets. From the outside, insert 1/4-20 x 2.50" Hex Head Carriage Bolts (#8) through the holes and secure with two 1/4-20 Thin Lock Nuts (#9).

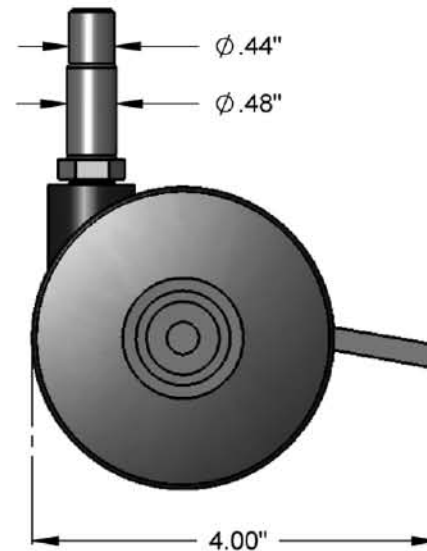
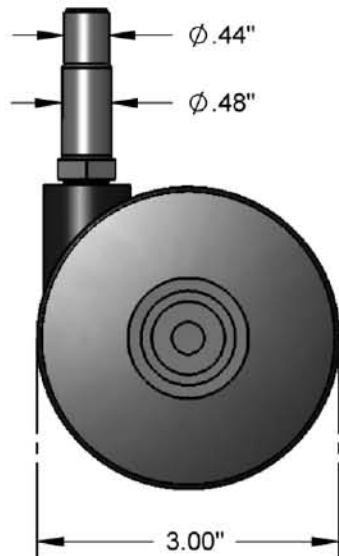
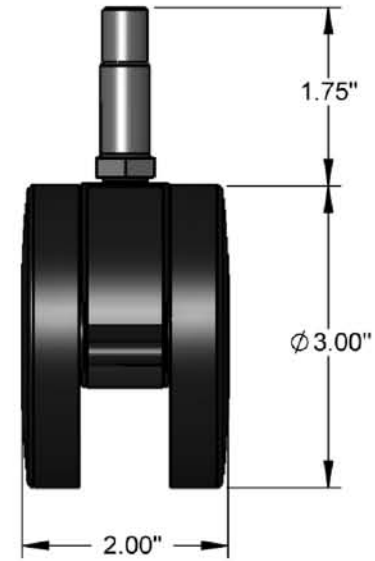
D

DIMENSIONS FOR 3" LOCKING AND NON-LOCKING TWIN CASTERS

3" Twin Non-Locking Caster
100-6330-061



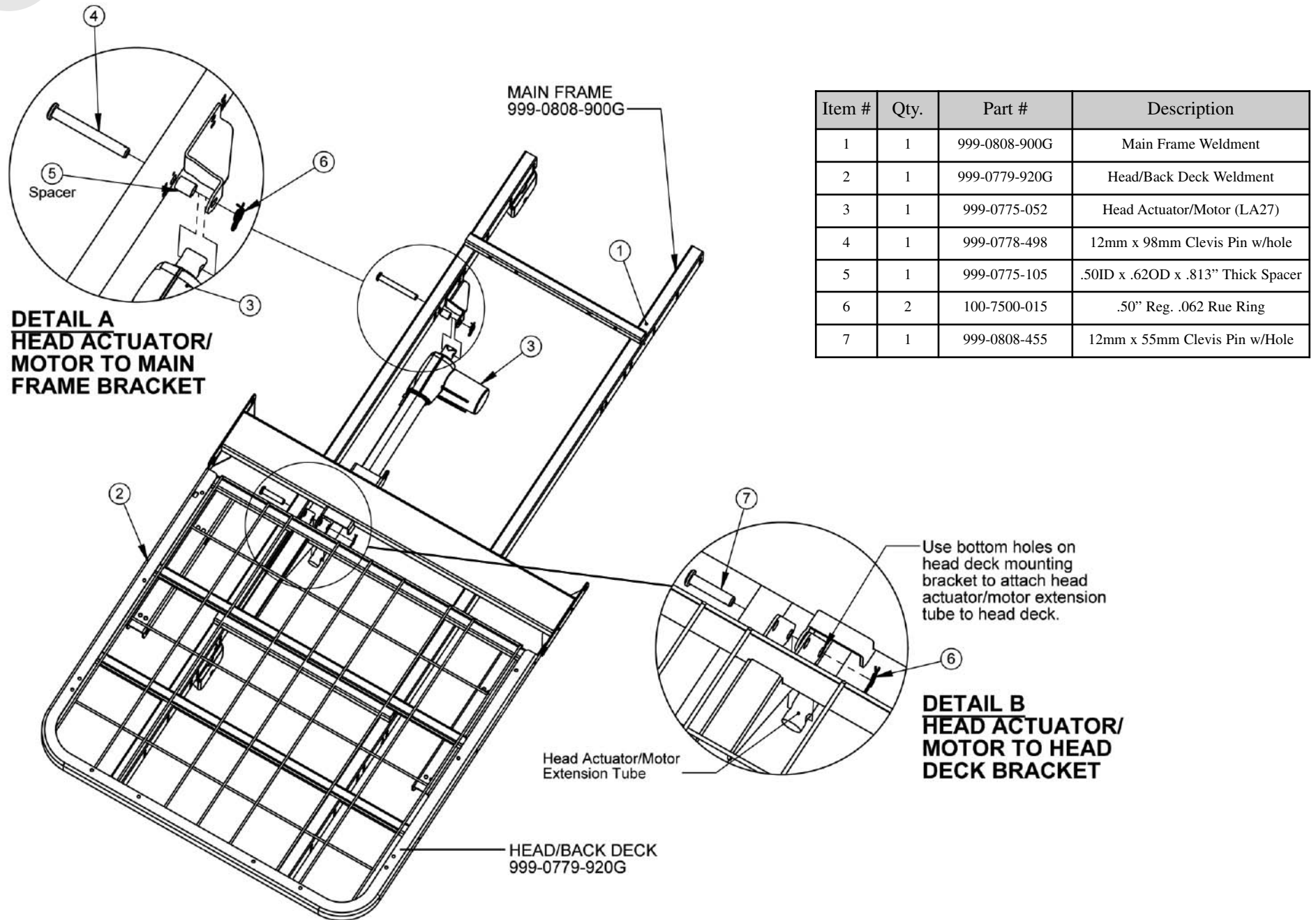
3" Twin Locking Caster
100-6330-062



ELECTRONICS

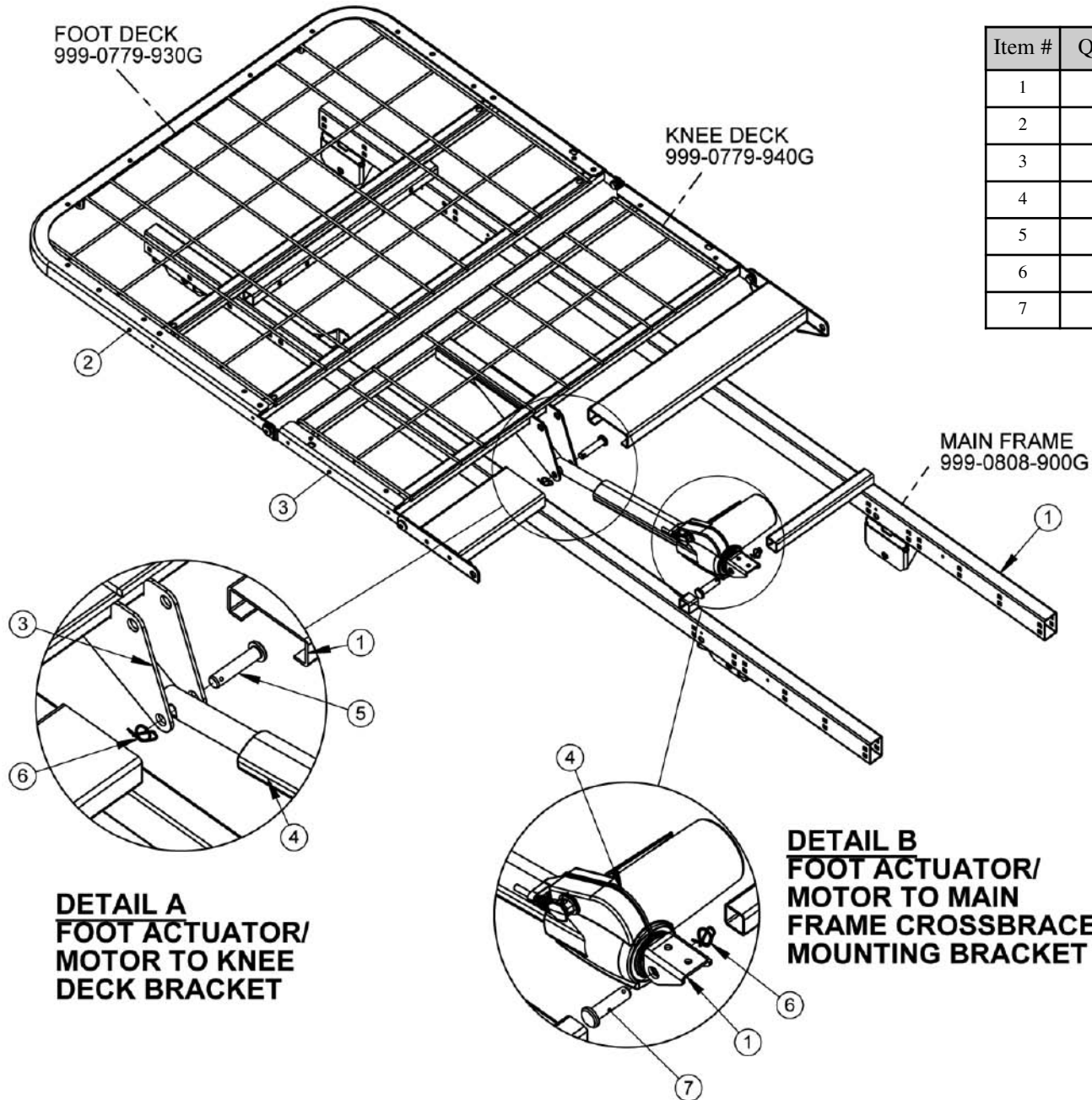
A

ASSEMBLY OF HEAD ACTUATOR/MOTOR TO HEAD DECK & FRAME



A

ASSEMBLY OF FOOT ACTUATOR/MOTOR TO KNEE DECK & FRAME

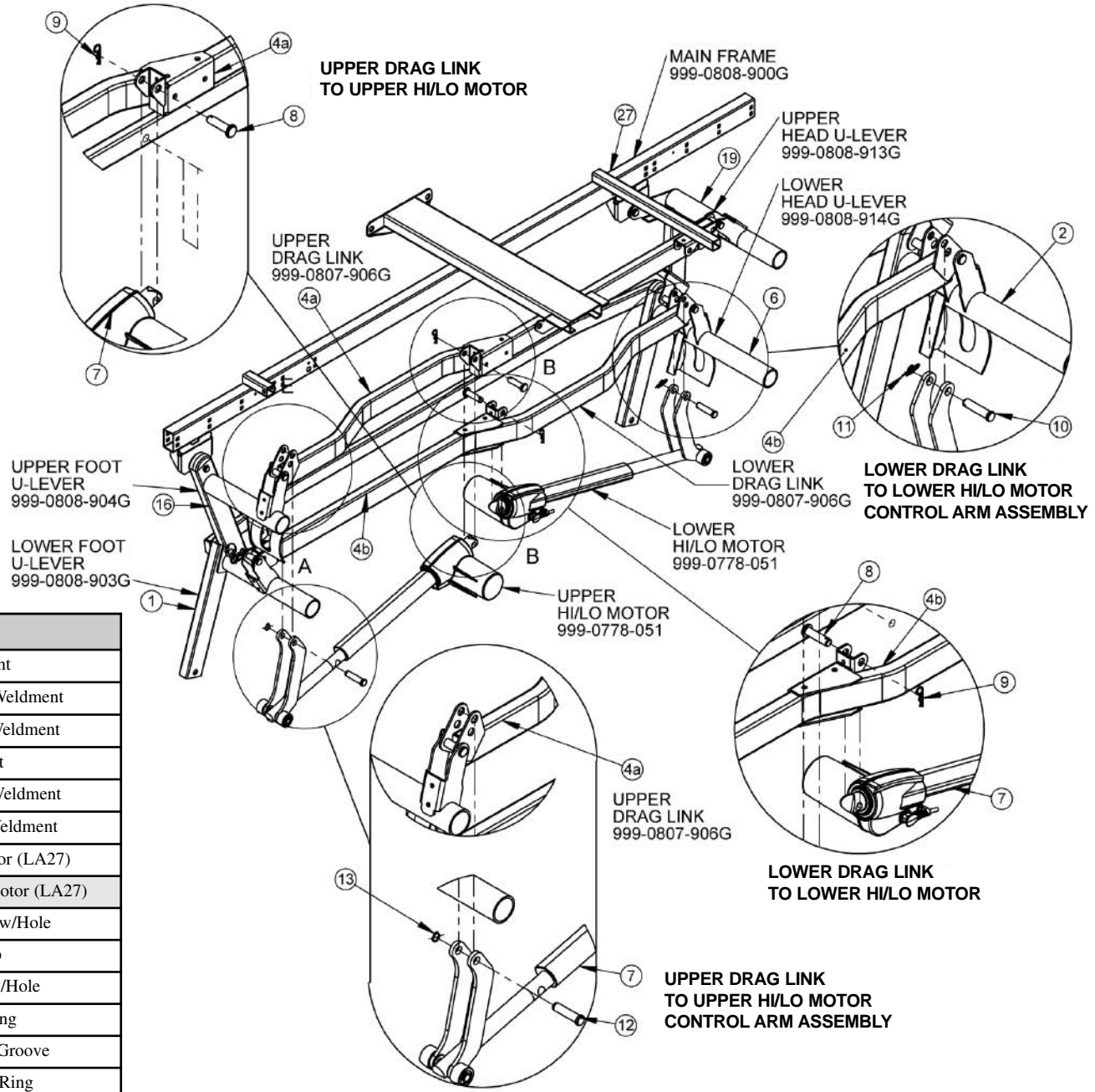


Item #	Qty.	Part #	Description
1	1	999-0808-900G	Main Frame Weldment
2	1	999-0779-930G	Foot Deck Weldment
3	1	999-0779-940G	Knee Deck Weldment
4	1	999-0775-053	Foot Actuator/Motor (LA27)
5	1	999-0808-455	12mm x 55mm Clevis Pin w/Hole
6	2	999-7500-015	.50" Reg. .062 Rue Ring
7	1	999-0775-445	12mm Dia. x 45 Clevis Pin w/Hole

A

ASSEMBLY OF HI/LO ACTUATOR/MOTOR TO DRAG LINK & U-LEVER

1. The Upper Hi/Lo Motor (#7a) is attached to the Upper Drag Link (#4a) and operates the Upper Foot and Head U-Levers (#3 & #6).
2. The Lower Hi/Lo Motor (#7b) is attached to the Lower Drag Link (#4b) and operates the Lower Foot & Head U-Levers (#2 & #5).
3. Both Hi/Lo motors work simultaneously to raise and lower the entire bed.
4. Note that both upper and lower Drag Link Weldments are identical and both upper and lower Hi/Lo Motors are identical (the same part).
5. The control arm swing plates, guide wheels, and hardware are designed as an assembly with the hi/lo hi/lo motors and should be purchased together as a kit when replacing the hi/lo motors.



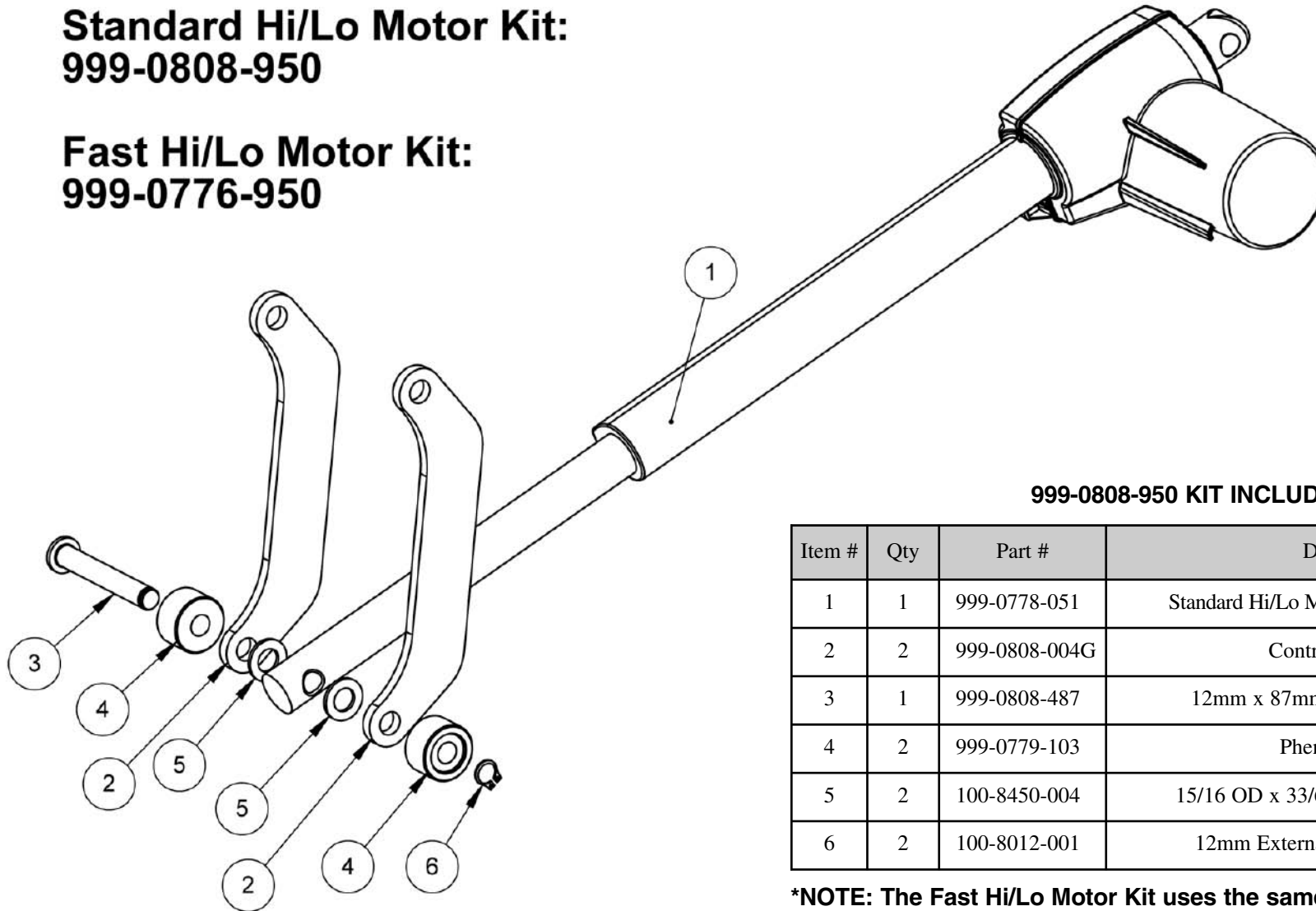
Item #	Qty.	Part #	Description
1	1	999-0808-900G	Main Frame Weldment
2	1	999-0808-913G	Lower Head-End U-Lever Weldment
3	1	999-0808-914G	Upper Head-End U-Lever Weldment
4	2	999-0807-906G	Drag Link Weldment
5	1	999-0808-903G	Lower Foot-End U-Lever Weldment
6	1	999-0808-904G	Upper Foot-End U-Lever Weldment
7	2	999-0778-051	Standard Hi/Lo Actuator/Motor (LA27)
NOT SHOWN	2	999-0776-051	Optional Fast Hi/Lo Actuator/Motor (LA27)
8	2	999-0775-445	12mm x 45mm Clevis Pin w/Hole
9	2	100-2001-006	1-9/16 Hair Pin Clip
10	1	100-7950-004	.50" x 2.00" Clevis Pin w/Hole
11	1	100-7500-015	.50" Reg. .062 Rue Ring
12	1	999-0808-404	.50" x 2.00" Clevis Pin w/Groove
13	1	100-8050-002	.50" Dia. External Snap Ring

A

SEMBLY - HI LO ACTUATOR CONTROL ARM PARTS

**Standard Hi/Lo Motor Kit:
999-0808-950**

**Fast Hi/Lo Motor Kit:
999-0776-950**



999-0808-950 KIT INCLUDES:

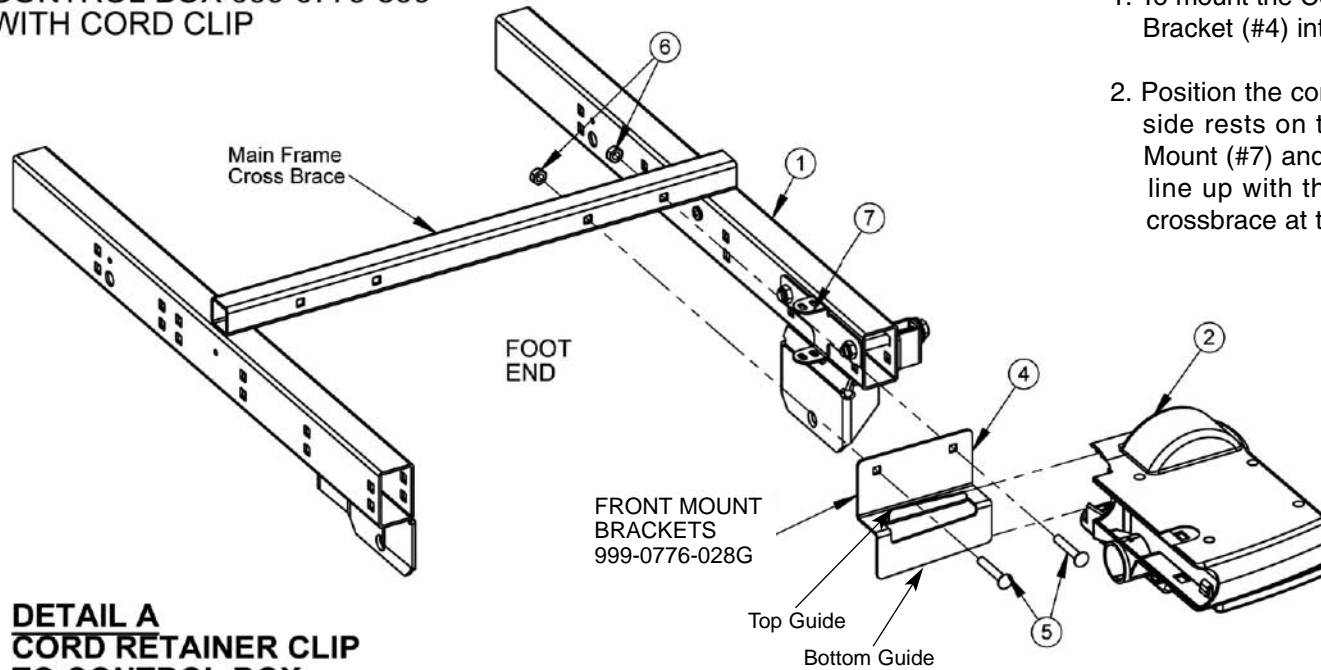
Item #	Qty	Part #	Description
1	1	999-0778-051	Standard Hi/Lo Motor, 3300 RPM (LA27)*
2	2	999-0808-004G	Control Arm Plates
3	1	999-0808-487	12mm x 87mm Clevis Pin w/Groove
4	2	999-0779-103	Phenolic Wheels
5	2	100-8450-004	15/16 OD x 33/64 ID x 1/8"Thk Washer
6	2	100-8012-001	12mm External Snap Ring, Din 471

***NOTE: The Fast Hi/Lo Motor Kit uses the same assembly hardware but with Fast Motors 999-0776-051 replacing the Standard Hi/Lo Motors.**

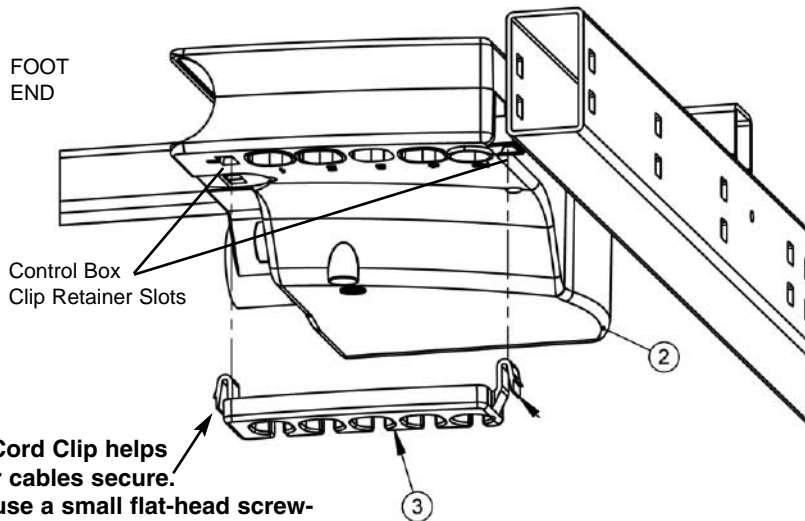
A

ASSEMBLY OF CONTROL BOX TO MAIN FRAME

CONTROL BOX 999-0779-300
WITH CORD CLIP



DETAIL A CORD RETAINER CLIP TO CONTROL BOX



NOTE: The Cord Clip helps to keep your cables secure. To remove, use a small flat-head screwdriver and gently depress the side tabs on both sides inward to release the clip from the slots in the control box.

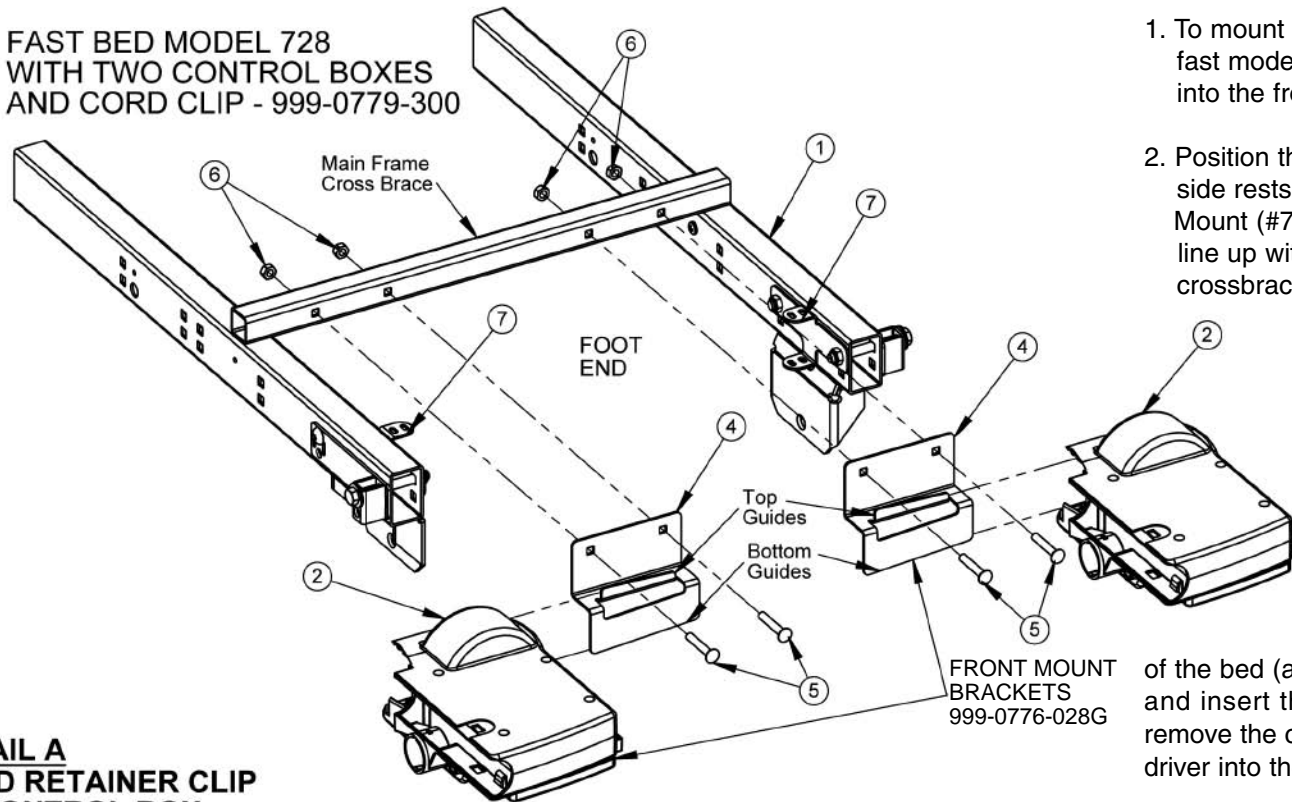
1. To mount the Control Box (#2), slide the Front Mounting Bracket (#4) into the front slots of the control box.
2. Position the control box (with bracket) so that its right side rests on the bottom wing of the Side Bracket Mount (#7) and the square holes of the front bracket line up with the square holes on the main frame's crossbrace at the foot-end of the bed.
3. From the foot end, Insert the two Bronze Carriage Bolts (#5) through the square holes of the front bracket and crossbrace. From the opposite side of the crossbrace, secure the carriage bolts using two 1/4-20 Nylon Lock Nuts (#6).
4. To secure the cord clip (#3), position the clip so that the side tabs face upward and the open holes face the foot end of the bed (away from the crossbrace). Depress the tabs and insert the clip into the control box slots as shown. To remove the cord clip, gently insert a small flat head screwdriver into the slots and depress the tabs.

Item #	Qty.	Part #	Description
1	1	999-0808-900G	Main Frame Weldment
2	1	999-0779-300	CB6 Standard Control Box
3	1	999-0779-300	Cord Clip (comes with control box)
4	1	999-0776-028G	Front Control Box Mounting Bracket
5	2	100-5225-006	1/4-20 x 1.50" Bronze Carriage Bolt
6	2	100-6725-002	1/4-20 Full Height Nylon Lock Nut
7	1	999-0775-027	Side Control Box Bracket Mount

A

SEMBLY OF DOUBLE CONTROL BOXES TO MAIN FRAME

FAST BED MODEL 728
WITH TWO CONTROL BOXES
AND CORD CLIP - 999-0779-300



1. To mount the two Control Boxes (#2) for the Zenith III fast model 728, slide the Front Mounting Brackets (#4) into the front slots of the control boxes.

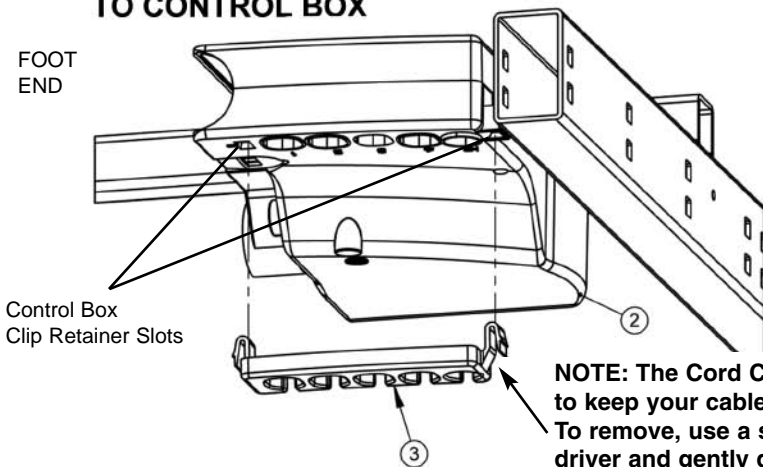
2. Position the right control box (with bracket) so its right side rests on the bottom wing of the right Side Bracket Mount (#7) and the square holes of the front bracket line up with the square holes on the main frame's crossbrace at the foot-end of the bed.

3. From the foot end, Insert the two Bronze Carriage Bolts (#5) through the square holes of the front bracket and crossbrace. From the opposite side of the crossbrace, secure the carriage bolts using two 1/4-20 Nylon Lock Nuts (#6).

4. To secure the cord clip (#3), position the clip so that the side tabs face upward and the open holes face the foot end of the bed (away from the crossbrace). Depress the tabs and insert the clip into the control box slots as shown. To remove the cord clip, gently insert a small flat head screwdriver into the slots and depress the tabs.

5. Repeat the same procedure for the left control box. For cable routing and plug in instructions see page 45.

DETAIL A CORD RETAINER CLIP TO CONTROL BOX

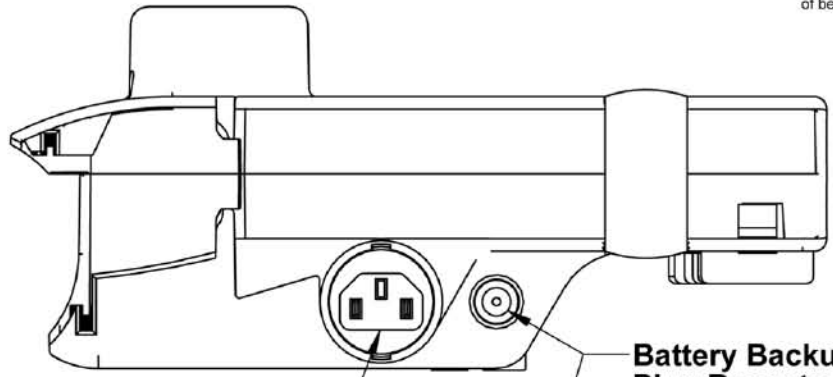


NOTE: The Cord Clip helps to keep your cables secure. To remove, use a small flat-head screwdriver and gently depress the side tabs on both sides inward to release the clip from the slots in the control box.

Item #	Qty.	Part #	Description
1	1	999-0808-900G	Main Frame Weldment
2	2	999-0779-300	CB6 Standard Control Box
3	2	999-0779-300	Cord Clip (comes with control box)
4	2	999-0776-028G	Front Control Box Mounting Bracket
5	4	100-5225-006	1/4-20 x 1.50" Bronze Carriage Bolt
6	4	100-6725-002	1/4-20 Full Height Nylon Lock Nut
7	2	999-0775-027	Side Control Box Bracket Mount

CABLING

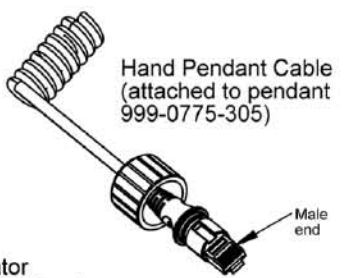
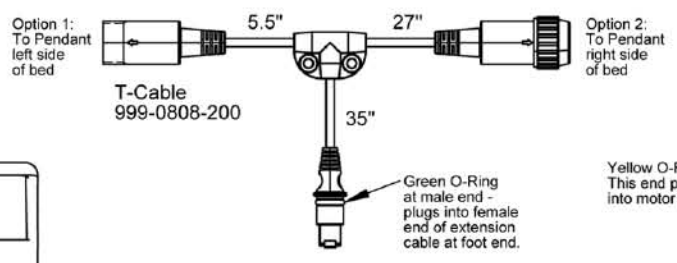
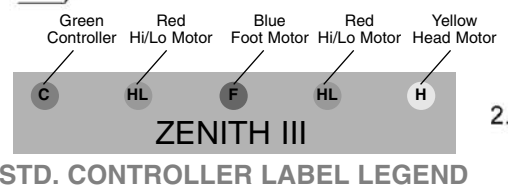
C CONTROL BOX CABLING CONNECTIONS & CABLES- MODEL



Main Power Cable Plug Receptacle (Black)

Battery Backup Plug Receptacle

Power Indicator Light
 1. Green: Getting power
 3. Constant orange light and hear clicking when pressing pendant functions: Possibly Bad Control Box



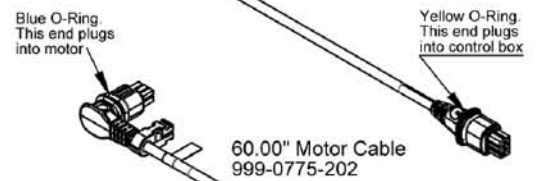
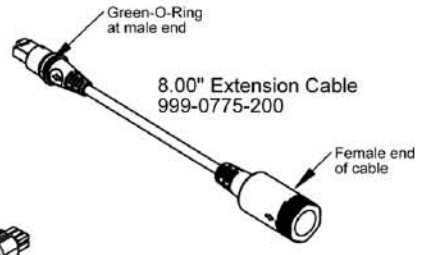
Mounting Clip for attaching to Actuator (included with control box)

Cord Retainer Clip (included with control box)

- 1 Head Actuator/Motor Cable Plug-in (Use 999-0775-201 - yellow o-ring)
- 2 Hi/Lo Actuator/Motor Cable Plug-in (Use 999-0808-204 - red o-ring)
- 3 Foot Actuator/Motor Cable Plug-in (Use 999-0775-202 - blue o-ring)
- 4 Hi/Lo Actuator/Motor Cable Plug-in (Use 999-0775-203 - red o-ring)
- HB Extension Cable Plug-in (Use 999-0775-200 - green o-ring)

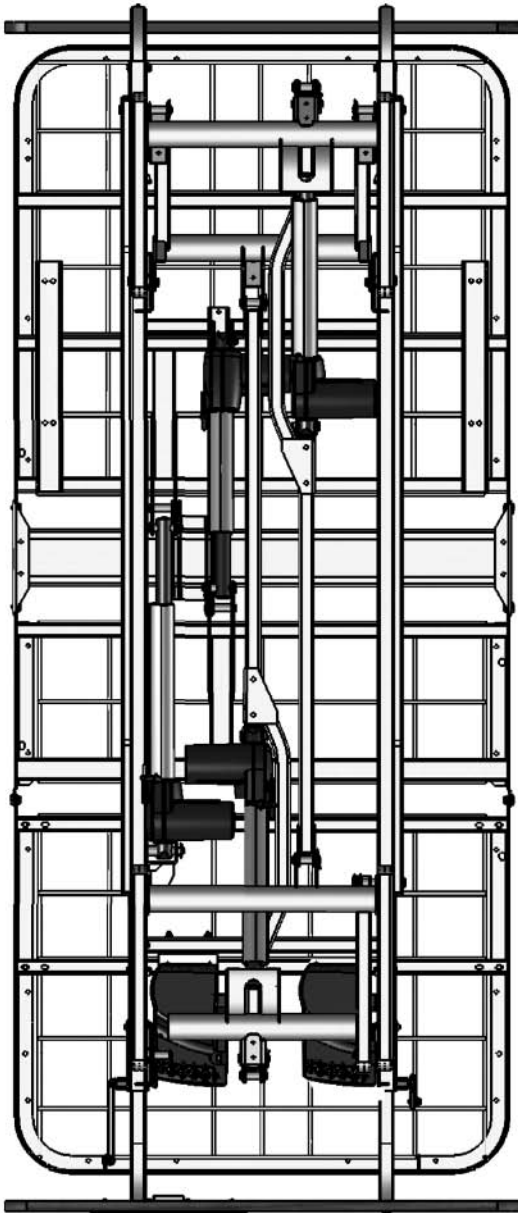
1. PENDANT ONLY: Pendant T-Cable (999-0808-200) plugs directly into extension cable at foot-end of bed. Pendant plugs into either side of T-Cable underneath main frame pan seat.

2. PENDANT & NURSE/STAFF CONTROL: Staff control male end plugs into extension cord female end at foot-end of bed. Pendant T-Cable male end plugs into female end of staff control cable.

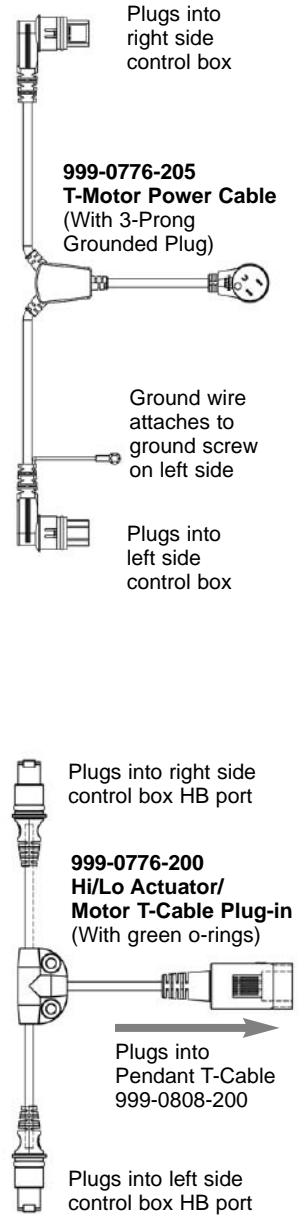
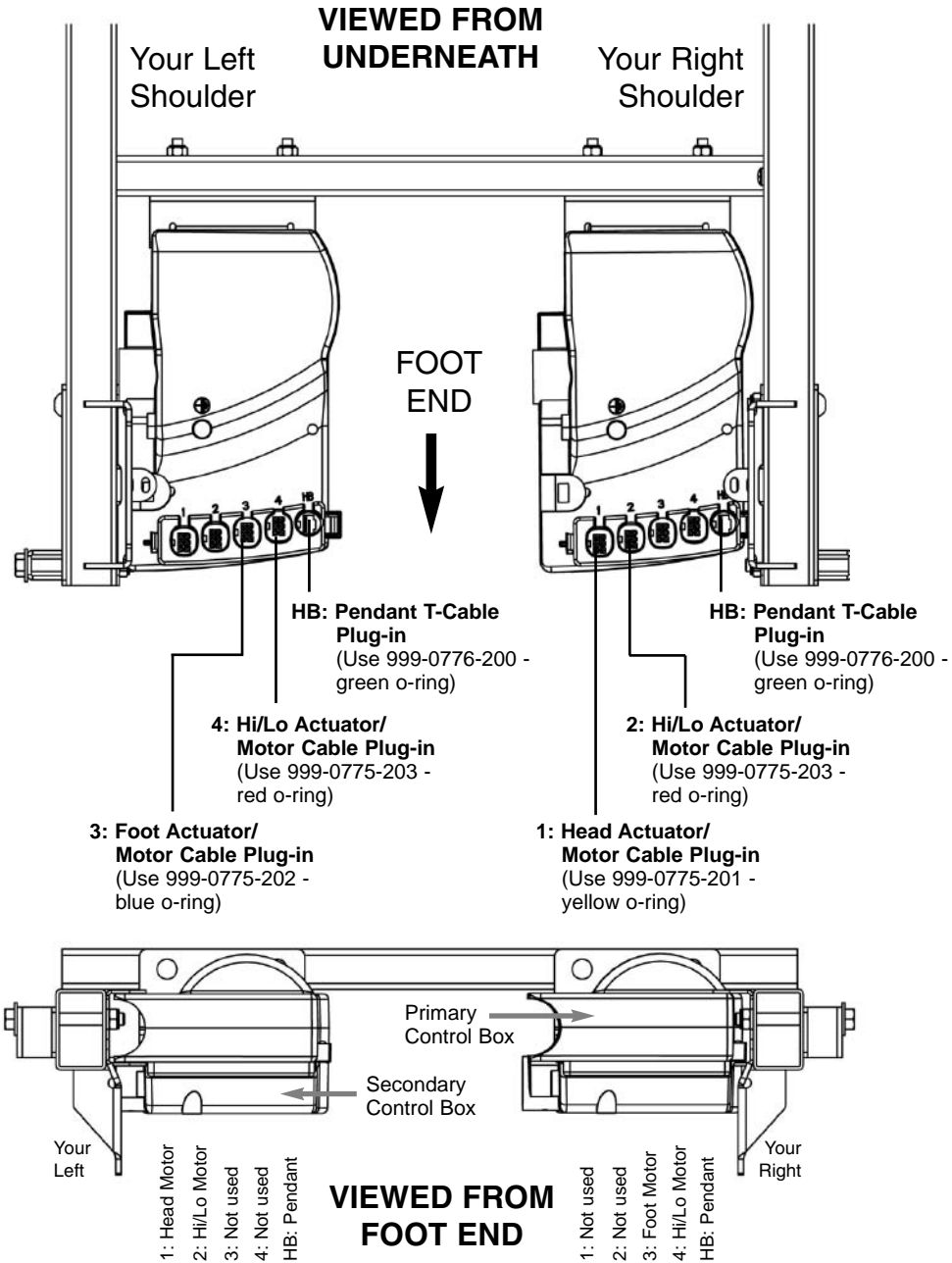




CONTROL BOX CABLING CONNECTIONS & CABLES - FAST BED #728



Foot end viewed from bottom of bed.

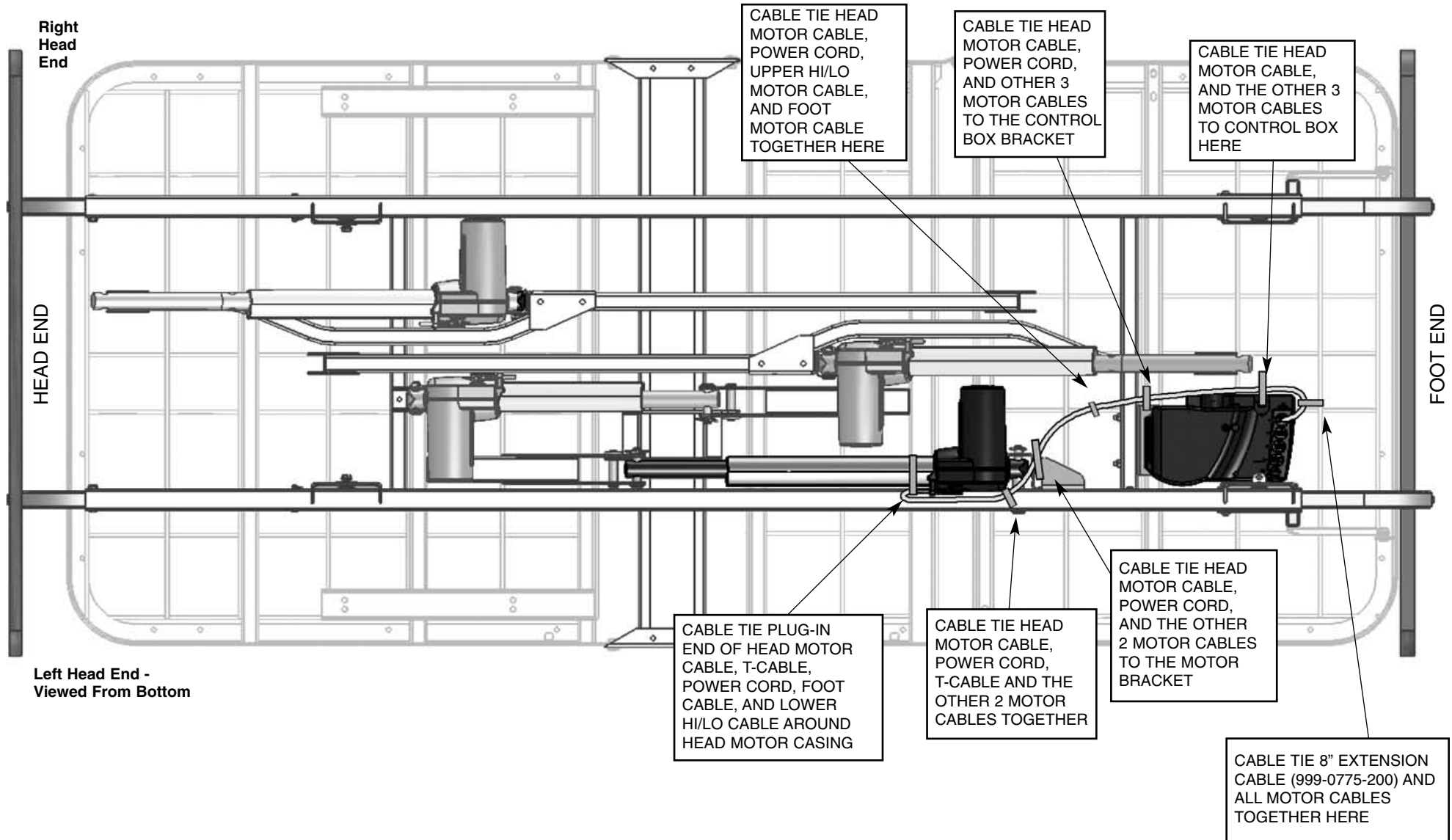




HEAD MOTOR CABLING (999-0775-201) - VIEWED FROM BOTTOM

HEAD MOTOR CABLE ROUTING WITH CABLE TIES

Head Motor Cable (999-0775-201) runs along the left side frame rail from Head Actuator/Motor, along motor mounting bracket, across to control box bracket, along control box, and plugs into receptacle #1 on the Control Box. Cable tie cable to frame and brackets as indicated.

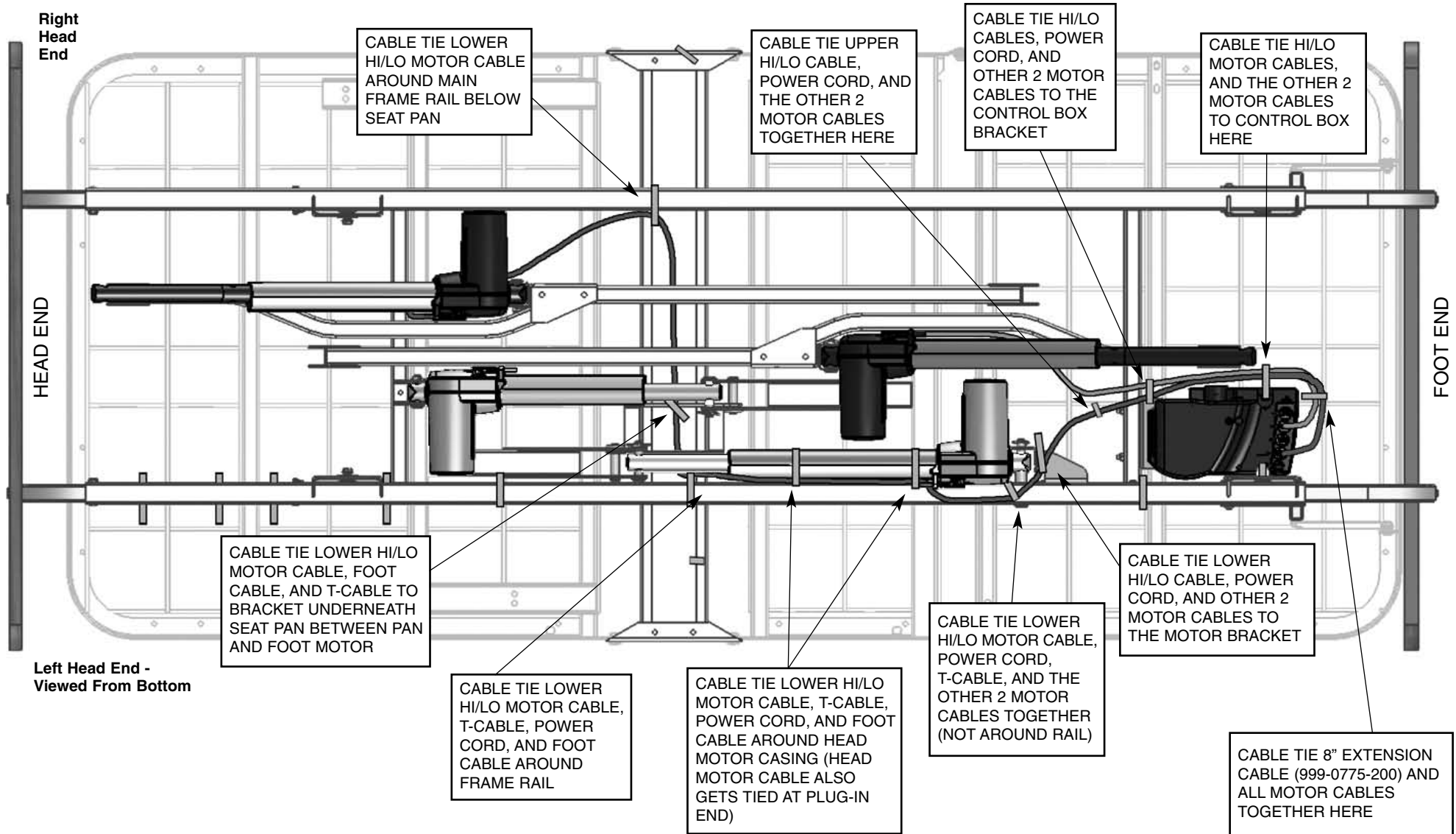




HI/LO MOTOR CABLING (999-0808-204 & 999-0775-203) - FROM BOTTOM

UPPER AND LOWER HI/LO CABLE ROUTING WITH CABLE TIES

Lower Hi/lo Motor Cable (999-0775-203) runs along right side frame rail from Lower Hi/Lo Actuator/Motor, under seat pan, along left side frame rail, then to receptacle #4 in Control Box. Shorter Upper Hi/Lo Motor Cable (999-0808-204) runs along Upper Hi/Lo Actuator/Motor to control box bracket, along the control box, and plugs into receptacle #2.

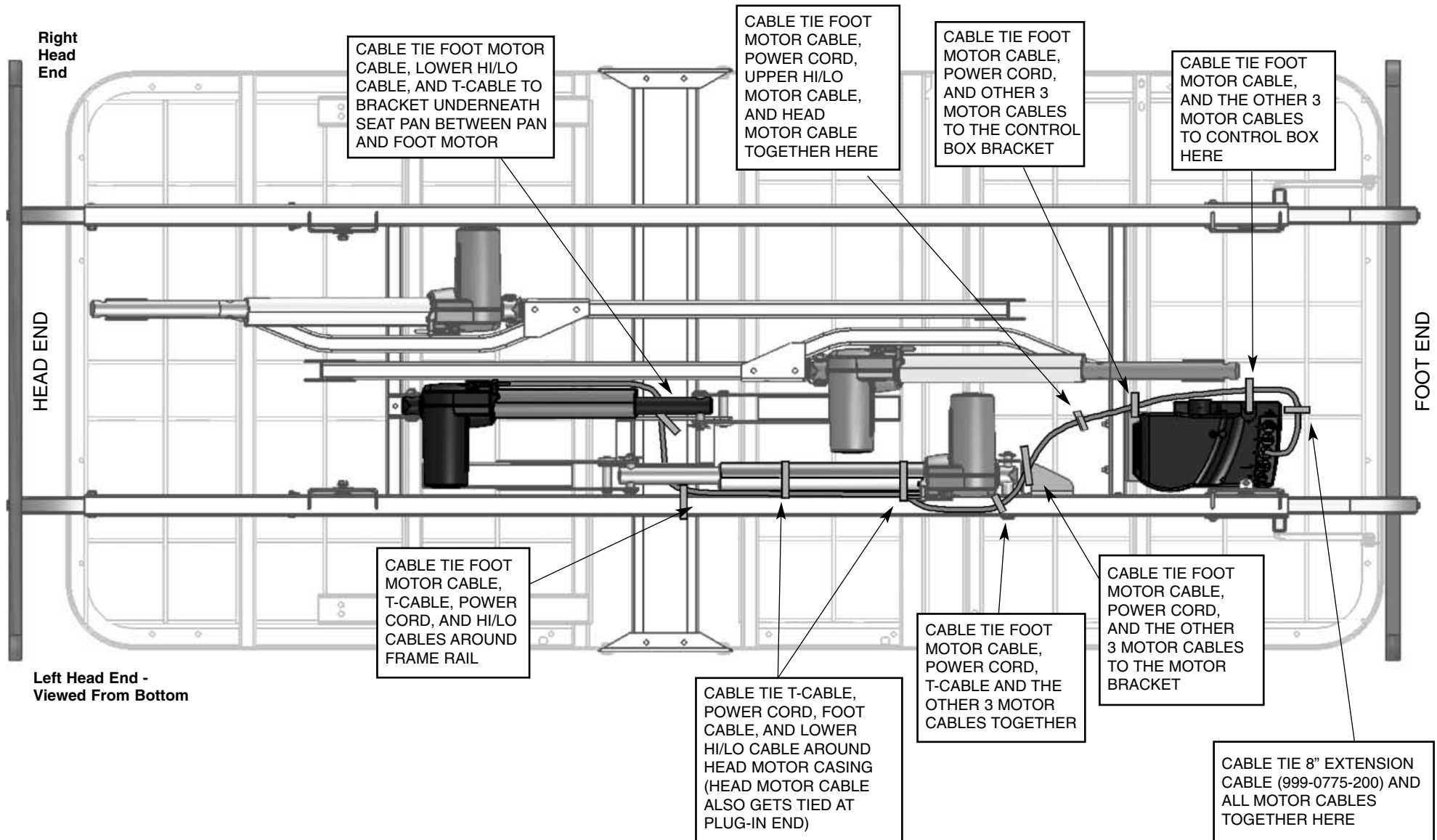


F

OOT MOTOR CABLING (999-0775-202) - VIEWED FROM BOTTOM

FOOT MOTOR CABLE ROUTING WITH CABLE TIES

Foot Motor Cable (999-0775-202) runs along the motor, under the seat pan, along the left side frame rail from Foot Actuator/Motor and plugs into receptacle #3 on the Control Box. Cable tie cable to frame and brackets as indicated.

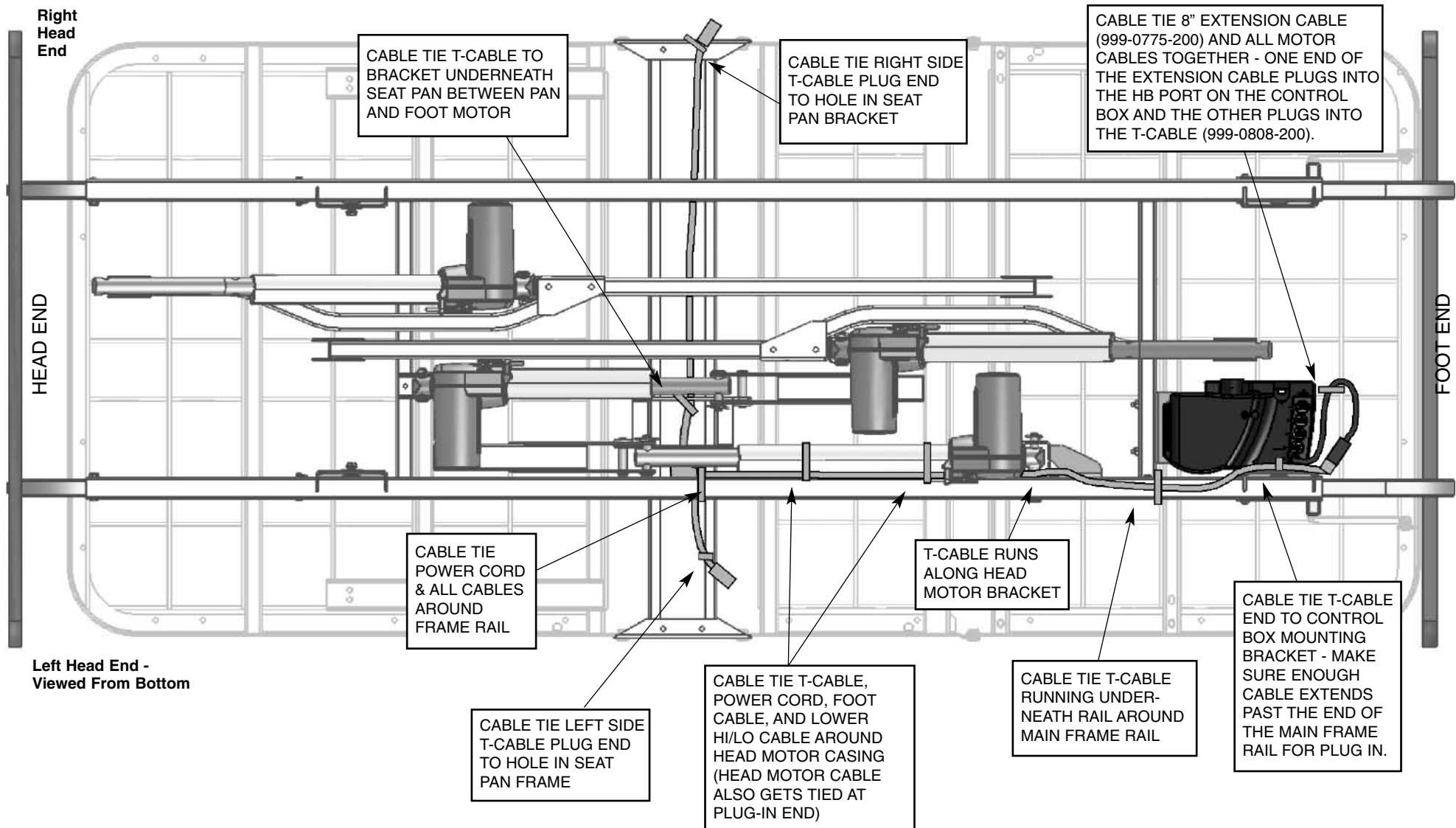


P

PENDANT T-CORD CABLING (999-0808-200) - VIEWED FROM BOTTOM

PENDANT T-CABLE AND 8" EXTENSION CORD ROUTING WITH CABLE TIES

The T-Cable runs along the underside of the main frame's seat pan and both sides of the female ends are tied off on either side of the seat pan. The "t" portion runs along the left frame rail and secured to rail with cable ties as indicated. The T-Cable male end is plugged into the 8" cable extension that is already plugged into the control box's HB port. You can plug the pendant in either the right or left plug of the T-Cable.

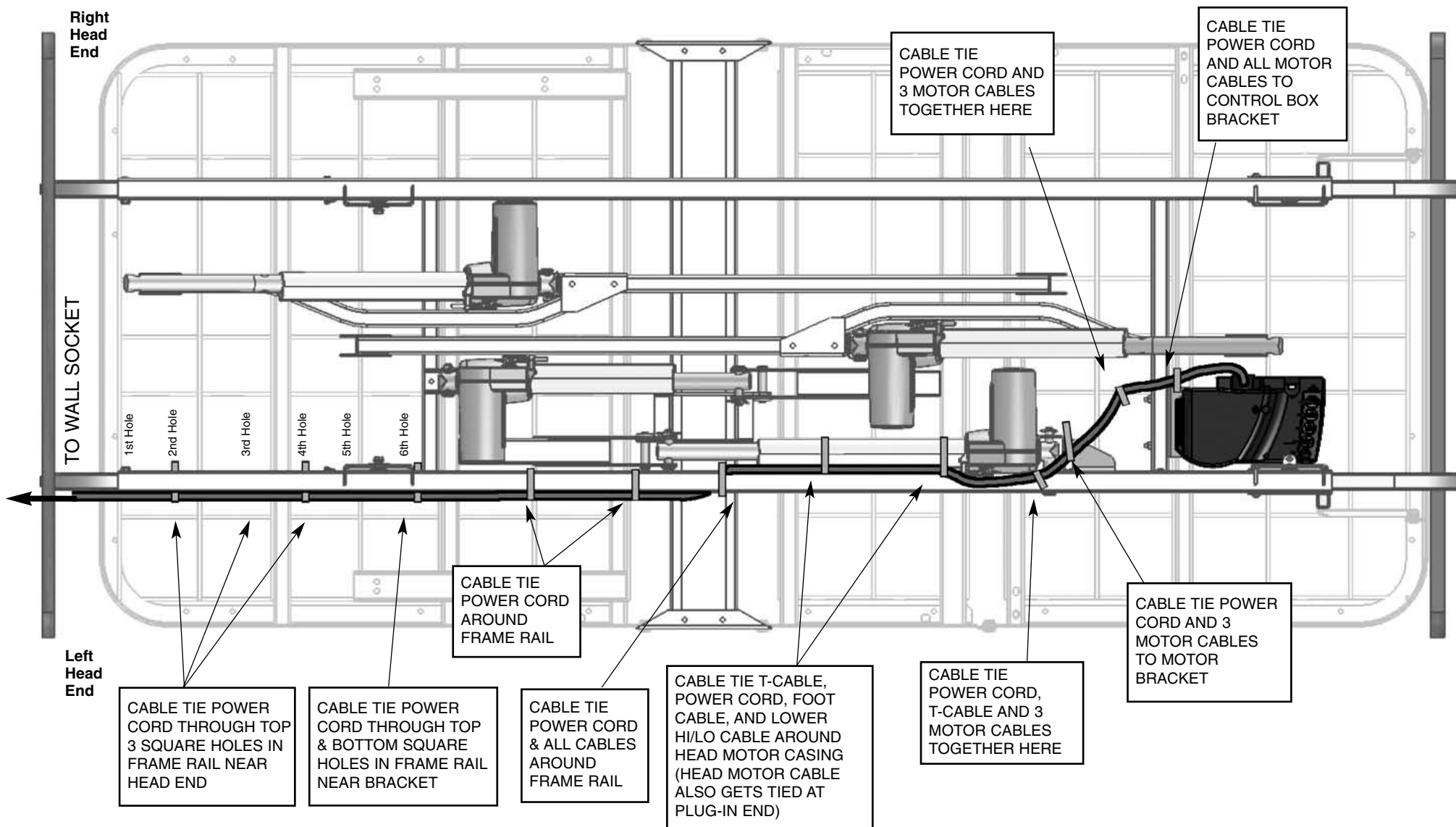


P

OWER CORD CABLING (999-0775-208) - VIEWED FROM BOTTOM

POWER CORD ROUTING WITH CABLE TIES

Power Cord (999-0775-208) runs from the Control Box toward the head-end along the left side frame rail and plugs into the wall receptacle. Cable tie to main frame rail as indicated.



ELECTRONIC TROUBLESHOOTING

If you experience any problems with the electrical components of your bed (i.e. motors not working properly resulting in the head or foot decks not working, the entire bed not raising up or down, hand controller or staff controller not working, or control box not working) follow the procedures below to see if they can solve your problem. If you continue to have problems please call the Basic American Customer Service Department at 800-365-2338. Please have your bed's serial number and/or model number available (located on your bed label on either side of the main frame below the decks). To determine if your bed is under warranty you will also need to provide the the manufacturing date also located on the label.

Event	Possible Solutions
Using Hand Control/Pendant but nothing works	<ol style="list-style-type: none"> 1. Check to see if lockout has been selected on lock outs or staff/nurse control. 2. Check to see if cable is securely inserted. 3. Check to see if you have power - control box cable is plugged into wall and green light is on underneath the control box (where available). 4. Did not fix the problem - call Customer Service at 800-365-2338.
Using Foot end Nurse/Staff Control but nothing works	<ol style="list-style-type: none"> 1. Check to see if lockout has been selected on lock outs or staff/nurse control. 2. Check to see if cables running from the nurse/ staff control are securely inserted. 3. Check to see if you have power - control box cable is plugged into wall and green light is on underneath the control box. 4. Did not fix the problem - call Customer Service at 800-365-2338.
Head deck does not go up or down when using pendant or staff control, but foot and hi/lo functions work properly	<ol style="list-style-type: none"> 1. Check to see if cable is securely inserted both at the motor end and the control box. 2. Unplug the head motor cable from the control box port. Unplug the foot motor cable from the control box and replug it into the head port. Press the head function on the pendant or staff control. <ol style="list-style-type: none"> a) If the foot/knee decks raise and lower, there is a problem with either your head motor or head motor cable. Replace. b) If the foot/knee decks DO NOT raise and lower, there is a problem with the head port on your control box. Replace the box. 3. To replace either the head motor/cable or control box call Customer Service at 800-365-2338.

Event	Possible Solutions
Foot/Knee decks do not go up or down when using pendant or staff control but head and hi/lo functions work properly	<ol style="list-style-type: none"> 1. Check to see if cable is securely inserted both at the motor end and the control box. 2. Unplug the foot motor cable from the control box port. Unplug the head motor cable from the control box and replug it into the foot port. Press the foot function on the pendant or staff control. <ol style="list-style-type: none"> a) If the head deck raises and lowers, there is a problem with either your foot motor or foot motor cable. Replace. b) If the head deck DOES NOT raise and lower, there is a problem with the foot port on your control box. Replace the box. 3. To replace either the foot motor/cable or control box call Customer Service at 800-365-2338.
Entire bed does not go up or down when using pendant or staff control (hi/lo function) but head and foot functions work properly	<ol style="list-style-type: none"> 1. Check to see if cables are securely inserted both at the motor end and the control box. 2. Unplug one of the hi/lo motor cables from the control box port. Unplug the foot or head motor cables from the control box and replug it into the hi/lo port. Press the hi/lo function on the pendant or staff control. <ol style="list-style-type: none"> a) If the head/foot deck raises and lowers, there is a problem with either your hi/lo motor or hi/lo motor cable. Replace. b) If the head/foot deck DOES NOT raise and lower, there is a problem with the hi/lo port on your control box. Replace the box. 3. Follow the same procedure to check the second hi/lo motor and cable. 4. To replace either the hi/lo motor/cable or control box call Customer Service at 800-365-2338.

► Maintenance Inspection of All Components (Receipt of shipment)

- Make sure all parts/components are included (see pages C1 through C8 for parts lists and diagrams)
- Check all bed components for obvious damage
- Inspect the Power Supply Cord for any cuts and/or damage
- Check to see all actuator cords are routed and connected properly to the control box

► Mechanical Inspection of Assemblies (6 months)

- Inspect all welds on the sleeping surface, frame, and base assemblies for stress fractures
- Inspect all fasteners for wear and looseness
- IMPORTANT: Lubricate all pivot points as needed. Aerosol White Lithium Grease is recommended.

► Mechanical Inspection of Casters (1 year)

- Check all locks on locking casters to ensure they are operational
- Check all casters to ensure that they roll properly and are unobstructed

► Electrical Inspection of Control Box (6 months)

- Check the power cord connected to the control box for any chafing cuts or wear
- Make sure all attaching hardware is securely tightened
- Check all electrical connections for any wear or fractures

► Electrical Inspection of Pendant and staff control (6 months)

- Check the pendant cord for any chafing cuts or wear
- Check all pendant functions . . .
 - ✓ Head raises and lowers properly
 - ✓ Foot raises and lowers properly
 - ✓ Entire bed raises and lowers properly
- Check to make sure each button and associated function work properly (i.e. the head section raises when the Head Up button is activated)

► Electrical Inspection of Actuators (Every month)

- Check the actuator cords for any chafing cuts or wear
- Check the range of movement on all motors to ensure they do not bind in the Full Up and Full Down positions
- To maintain optimal performance and avoid possible damage to wall surfaces, it is recommended that you periodically raise and lower the bed to its highest and lowest positions as part of your regular maintenance schedule.



WARNING: Possible Shock Hazard. Please unplug the Power Cord from the electrical outlet before performing any maintenance/service to the Power Box.

