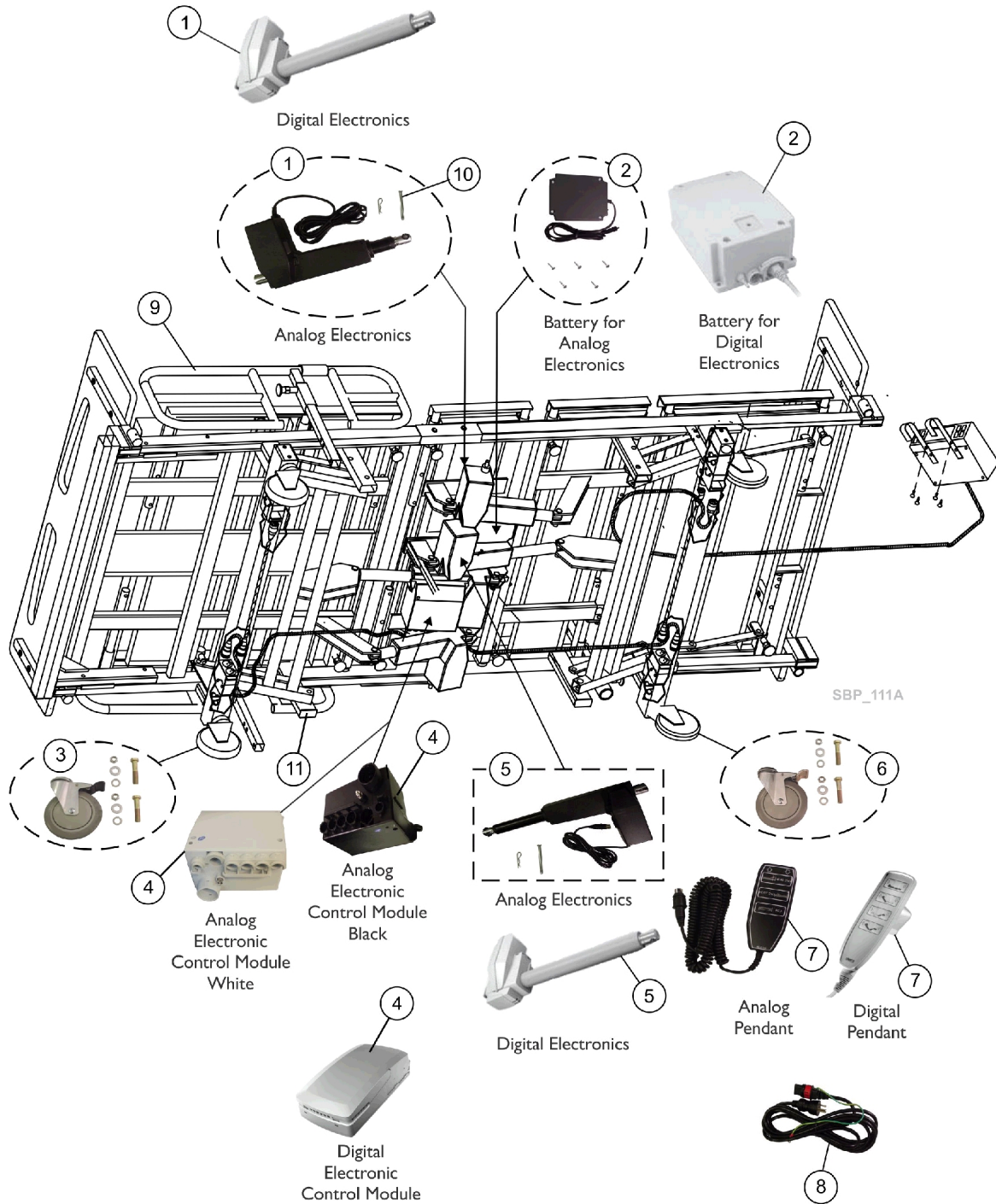


BAR750



BAR750

| Item Number | Note | Part Number | Description | Quantity Per | |
|-------------|------|-------------|--|--------------|----------|
| | | | | Package | Assembly |
| 1 | H | 1147492 | Actuator Motor, Back Rest/Leg Lift, Analog | 1 | 2 |
| 1 | J | 60129095 | Actuator Motor, Back Rest/Leg Lift, Digital | 1 | 2 |
| 2 | A,I | 1147496-NLA | NLA - Battery (9V) with Hardware | 1 | 1 |
| 2 | J | 60129096 | Battery, KB19 Lead-Acid (For Digital) | 1 | 1 |
| 3 | B | 1147497 | Steering Caster with Hardware | 1 | 1 |
| 4 | K | 1147490 | Module, Electronic Control, White, Analog | 1 | 1 |
| 4 | J | 60129093 | Module, Electronic Control, White, Digital | 1 | 1 |
| 5 | | 1147491 | Actuator Motor, High/Low, Analog | 1 | 1 |
| 5 | J | 60129094 | Actuator Motor, High/Low, Digital | 1 | 1 |
| 6 | C | 1147498 | Locking Caster with Hardware | 2 | 1 |
| 7 | | 1147488 | Pendant Control, Three Function, Analog | 1 | 1 |
| 7 | J | 60129092 | Pendant Control, Three Function, Digital | 1 | 1 |
| 8 | | 1147489 | Cord, Power | 1 | 1 |
| 9 | D | 1147493 | Rails, Side | 2 | 1 |
| 10 | E | 1147495 | Package, Clevis Pin w/ Rue Clip | 10 | 1 |
| 11 | | 1147494-NLA | NLA - Plug Button, Black | 10 | 1 |
| 12 | F | 1165872-NLA | NLA - Package, Release Knobs, Bed Rails/Extensions | 5 | 1 |
| | G | 1165871-NLA | NLA - Kit, Footboard Extensions - Right/Left | 1 | 1 |

NOTE: A - Includes 1) Battery (9V) and 5) Screws.
 B - Includes 2) Steering Casters, 2) Locknuts, 2) Flat Washers, 2) Lock Washers and 2) Screws.
 C - Includes 2) Locking Casters, 2) Locknuts, 2) Flat Washers, 2) Lock Washers and 2) Screws.
 D - Includes 2) Side Rails.
 E - Includes 5) Clevis Pins and 5) Rue Clips.
 F - These are release knobs for the footboard and headboard extensions and the side bed rail. Sold in packages of five.
 G - Not shown in illustration.
 H - One Actuator is for the Head End (Back Rest) and the other for the Foot End (Leg Lift).
 I - Battery is No Longer Available from Invacare but can be purchased from Gendron Inc. 1-800-537-2521.
 J - Used for Digital components that replaced Analog starting with serial number 111016111.
 K - Part number 1147490 Electronic Analog Control Module was changed from Black color to white.

