

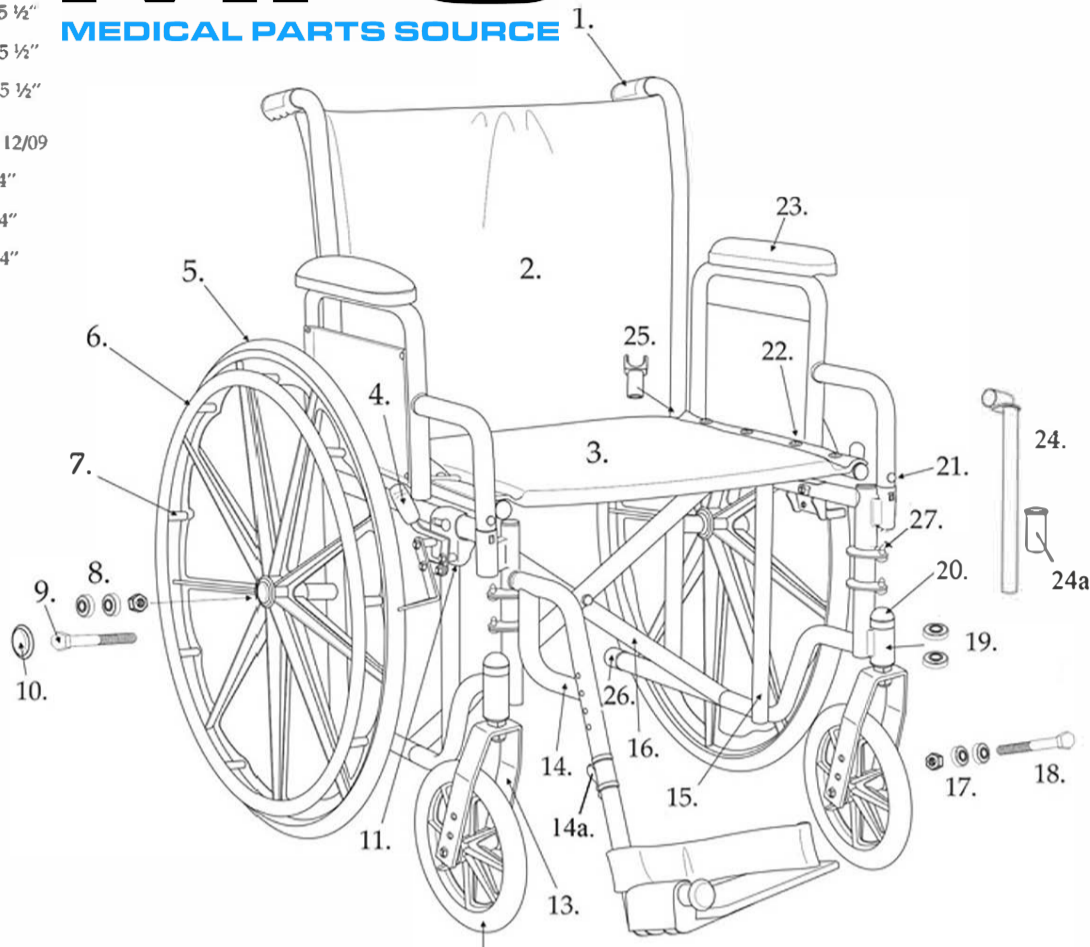
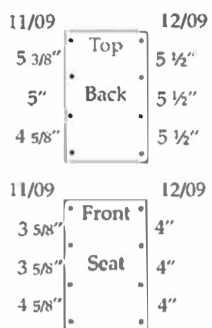
SILVER SPORT 2

8M, 4S, 11 OR 5Z SERIAL

MPS

MEDICAL PARTS SOURCE

- 1. Handgrip- WB 8036
- 2. Back Upholstery
11/09 & Before 12/09 & After
16"- STDS8M4606 16"- STDS3J4606
18"- STDS8M4608 18"- STDS3J4608
20"- STDS8M4602 20"- STDS3J4602
- 3. Seat Upholstery
11/09 & Before 12/09 & After
16"- STDS8M4616 16"- STDS3J4616
18"- STDS8M4618 18"- STDS3J4618
20"- STDS8M4620 20"- STDS3J4620
- 4. Brake Tip Round- STDS004601.
Sleeve- STDS8M4603
- 5. Rear Wheel- STDS3J2424
- 6. Hand Rim- STDS3J2400
- 7. Hand Rim Hdwr (set of 9)- STDS004609-9
- 8. Rear Wheel Bearing (11mm)- STDS3J2413
- 9. Rear Axle Bolt
Detachable Arms- STDS3J4626
Fixed Arms- STDS3J4625
- 10. Hub Cap- STDS3J2421
- 11. Brake Fixed Arms Left- STDS8M241R
Right- STDS8M241L
Detachable Arms Left- STDS8M462L
Right- STDS8M462R
- 12. Caster- STDS4S2432
- 13. Fork- STDS8M4633
- 14. Footrest- STDS3J24SF
ELR- LK3JELR
- 14a. Footrest Adj Lever- STDS3J4502
- 15. Sideframe 8M scr #
Detachable Arms Left- STDS8M46L1
Right- STDS8M46R1
Fixed Arms Left- STDS8M46L2
Right- STDS8M46R2
4S scr #
Detachable Arms Left- STDS3J46L1
Right- STDS3J46R1
Fixed Arms Left- STDS3J46L2
Right- STDS3J46R2
- 16. Cross Frame (compare seat holes above)
11/09 & Before 12/09 & After
16"- STDS8M46X6 16"- STDS3J46X6
18"- STDS8M46X8 18"- STDS3J45X8
20"- STDS8M46X2 20"- STDS3J46X2
- 17. Caster Bearing (11mm)- STDS1011HD
- 18. Caster Axle Bolt- STDS8M4631



- 19. Fork Stem Bearing (12.5mm)- STDS8M4601
- 20. Fork Stem Cap- STDS8M4651
- 21. Arm Release Button- STDS3J4503
- 22. Upholstery Screws
Back or Seat (8 each)- STDS2015
- 23. Desk Arm Pad- STDSDSKVB
Full Arm Pad- STDSFLVB
Desk Arm Left- STDSSDDAL
Right- STDSSDDAR
Full Arm Left- STDSSDFAL
Right- STDSSDFAR
- 24. Slide Tube & Bushing- STDS3J4601
24a. Bushing- STDS002601
- 25. Seat Rail Guide Detachable arms- STDS1070
Fixed Arms Front- STDS004602
Rear- STDS1070
- 26. Tipping Sleeve- STDS3J2422
- 27. Hanger Pins 4S scr # (4 ea)- STDS4S1069

10/24/16

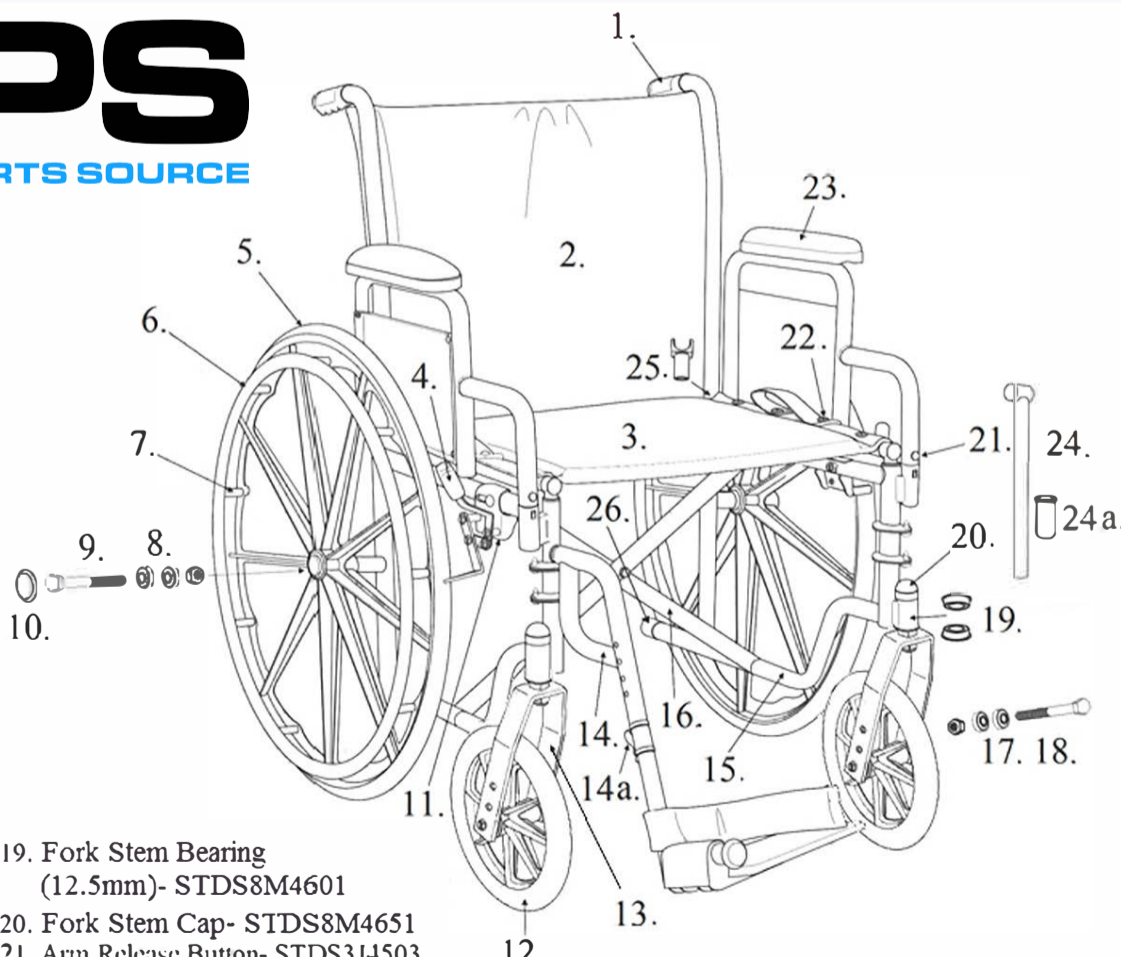
SILVER SPORT 2

5D SERIAL

MPS

MEDICAL PARTS SOURCE

- 1. Handgrip- WB 8036
- 2. Back Upholstery
16"- STDS3J4606
18"- STDS3J4608
20"- STDS3J4602
- 3. Seat Upholstery
16"- STDS3J4616
18"- STDS3J4618
20"- STDS3J4620
- 4. Sleeve/Tip- STDS8M4603
- 5. Rear Wheel- STDS3J2424
- 6. Hand Rim- STDS3J2400
- 7. Hand Rim Hdwr (set of 9)- STDS004609-9
- 8. Rear Wheel Bearing (11mm)- STDS3J2413
- 9. Rear Wheel Axle
Detachable Arms- STDS3J4626
Fixed Arms- STDS3J4625
- 10. Hub Cap- STDS3J2421
- 11. Brake
Left- STDS8M462L
Right- STDS8M462R
- 12. Caster- STDS4S2432
- 13. Fork- STDS8M4633
- 14. Footrest- STDS3J24SF
ELR- LK3JELR
a. Footrest Adj. Lever- STDS3J4502
- 15. Side Frame
Deattachable Arm Left- STDS5D46L1
Right- STDS5D46R1
Fixed Arm Left- STDS5D46L2
Right- STDS5D46L2
- 16. Cross Frame 16"- STDS5D46X6
18"- STDS5D46X8
20"- STDS5D06X2
- 17. Caster Bearing (11mm)- STDS1011HD
- 18. Caster Axle- STDS8M4631



- 19. Fork Stem Bearing (12.5mm)- STDS8M4601
- 20. Fork Stem Cap- STDS8M4651
- 21. Arm Release Button- STDS3J4503
- 22. Upholstery Screws
Back or Seat (8 each)- STDS2015
- 23. Desk Arm Pad- STDSDSKVB
Full Arm Pad- STDSFLVB
Desk Arm Left- STDSSDDAL
Right- STDSSDDAR
Full Arm Left- STDSSDFAL
Right- STDSSDFAR
- 24. Slide Tube & Bushing- STDS3J4601
a. Bushing- STDS002601
- 25. Seat Rail Guide Detachable arms- STDS1070
Fixed Arms Front- STDS004602
Rear- STDS1070
- 26. Tipping Sleeve- STDS3J2422

03/04/17