

Medical Grade Power Strips

Standard, Surge Protective and with Load Monitoring  Inform™ Technology

FOR USE IN PATIENT CARE AREAS OF HEALTH CARE FACILITIES

Conforms to UL 1363A, UL 60601-1, UL 60950-1, and UL 1449*

Strips with Load Monitoring Inform™ Technology feature a line-of-sight, real-time LED indication of when the NFPA 99 load limit (75%) has been reached

5 YEAR WARRANTY

Built-in overload protection shuts off the strip in case of excess power draw, and can be returned to service with the simple push of a button

Surge LED will be lit when surge protection is active (surge protected models only)

Hospital grade outlets and plug ensure dependable performance

OPERABLE IN ISOLATED POWER APPLICATIONS

Heavy duty steel construction withstands demanding environments

* UL 1449 compliance applies to Surge Protective models only



Locking safety covers are splash-resistant and protect from incidental contact with unused outlets

2, 4 and 6 outlet configurations available

Easily accommodates surface mounting; IV pole mounting possible with the use of Leviton mounting bracket (5300M-BKT, sold separately)



What makes a power strip “Medical Grade”?

For a power strip to qualify as “medical grade” it must:

- Be used with medical equipment inside Patient Care Areas
- Conform to Safety Standard UL 60601-1 or UL 1363A
- Have receptacle covers that can only be opened with the use of a tool*
- Feature hospital grade plugs and receptacles
- Have an enclosure leakage current that does not exceed 0.1 mA in normal condition
- Be permanently mounted to moveable equipment
- Not have a manual on/off switch

* Anything other than a hand

Applicable Codes & Standards

- NFPA 99 – Health Care Facilities Code
- NFPA 70 (National Electric Code) Article 517 – Health Care Facilities
- UL 60601-1 – Medical Electrical Equipment, Part 1: General Requirements for Safety
- UL 60950-1 – Information Technology Equipment – Safety, Part 1: General Requirements
- UL 1363A – Special Purpose Relocatable Power Taps
- UL 1449 – Surge Protective Devices

For more information regarding application codes and standards, please visit leviton.com/healthcarecodes

Patient Care Areas

As defined in NFPA 99 – 2021 Edition

Patient Care Vicinity

(Depicted below)

A space, within a location intended for examination and treatment of patients, extending 6 feet (1.8 m) beyond the normal location of the bed, chair, table, treadmill, or other device that supports the patient during examination and treatment and extending vertically 7.5 feet (2.3 m) above the floor.

Patient Care Space

Any space of a health care facility wherein patients are intended to be examined or treated. This includes:

- Basic Care Spaces (e.g. exam or treatment rooms in clinics, dental offices, nursing homes, etc.)
- General Care Spaces (e.g. patient bedrooms, dialysis rooms, procedural rooms, etc.)
- Critical Care Spaces (e.g. intensive care rooms, operating rooms, delivery rooms, etc.)



For a full list of requirements for the use of medical grade power strips and other electrical equipment in patient-care areas, see NFPA 99 Chapter 10.

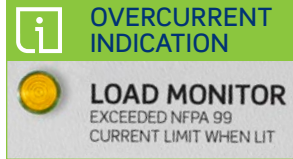
800-779-2660 | 941-342-7725

What is Load Monitoring Inform™ Technology?

A simple and efficient way to improve code compliance.

NFPA 99 Article 10.2.3.6 mandates:

The sum of the ampacity of all appliances connected to the outlets does not exceed 75 percent of the ampacity of the flexible cord supplying the outlets.



Inform™ monitors the load of connected devices so that you don't have to, eliminating the need for manual calculations. When the NFPA 99 limit (75%) has been exceeded, a line-of-sight LED indication will activate.

To learn more about Inform™ Technology and innovations please visit leviton.com/inform



Leviton Medical Grade Power Strips are Special Purpose Relocatable Power Taps (SPRPTs). According to Centers for Medicare & Medicaid Services (CMS):

Power strips providing power to patient care-related electrical equipment must be Special-Purpose Relocatable Power Taps (SPRPT) listed as UL 1363A or UL 60601-1.

Specifications

Medical Grade Power Strips

Electrical Specifications

Current	15 A (12 A max continuous load) or 20 A (16 A max continuous load)
Voltage	125 V
Frequency	60 Hz
Surge Technology**	MOV

Performance Data

Voltage Protection Rating (VPR)**	600 V (L-N), 600 V (L-G), 500 V (N-G)
Max. Continuous Operating Voltage (MCOV)**	150 V
Max. Surge Current, Per Mode**	27 kA
Max. Leakage Current	<100 µA

Material Specifications

Line Cord	#14/3 SJT (15 A models) or #12/3 SJT (20 A models)
Enclosure	Powder Coated Steel (18 ga)
Outlet Covers	Polypropylene

Mechanical Specifications

HG Plug Configuration	NEMA 5-15P or NEMA 5-20P
HG Outlet Configuration	NEMA 5-15R or NEMA 5-20R

Environmental Specifications

Operating Temperature	32 °F to 104 °F (0 °C to +40 °C)
Storage Temperature	14 °F to 122 °F (-10 °C to +50 °C)

Standards

UL/ CSA/ NOM*	UL 60601-1/ C22.2 No. 60601-1; UL 60950-1/ C22.2 No. 60950-1; UL 1363A/ C22.2 No. 21; UL 1449/ C22.2 No.8**
NFPA	NFPA 99 2021 Edition

Warranty

Product Warranty	5-Year Limited
------------------	----------------

Mounting Bracket for Medical Grade Power Strips (5300M-BKT)



Material Specifications

Bracket / Retainer	Powder Coated Aluminum
Mounting Hardware	Stainless Steel

* NOM and CSA Standards (C22.2) do not apply to models with Inform™ Technology

** Spec is relevant to Surge Protective models only

Ordering Information

Stock Configurations	Current Rating	AC Power Cord Length	2 Outlet	4 Outlet	6 Outlet
Medical Grade Power Strips	15 A (12 A max continuous load)	7 Feet	5302M-1N7	5304M-1N7	5306M-1N7
		15 Feet	5302M-1N5	5304M-1N5	5306M-1N5
	20 A (16 A max continuous load)	7 Feet	5302M-2N7	5304M-2N7	5306M-2N7
		15 Feet	5302M-2N5	5304M-2N5	5306M-2N5
Surge Protective Medical Grade Power Strips	15 A (12 A max continuous load)	7 Feet	5302M-1S7	5304M-1S7	5306M-1S7
		15 Feet	5302M-1S5	5304M-1S5	5306M-1S5
	20 A (16 A max continuous load)	7 Feet	5302M-2S7	5304M-2S7	5306M-2S7
		15 Feet	5302M-2S5	5304M-2S5	5306M-2S5
 Medical Grade Power Strips with Load Monitoring Inform™ Technology	15 A (12 A max continuous load)	7 Feet	—	53C4M-1N7	53C6M-1N7
		15 Feet	—	53C4M-1N5	53C6M-1N5
	20 A (16 A max continuous load)	7 Feet	—	53C4M-2N7	53C6M-2N7
		15 Feet	—	53C4M-2N5	53C6M-2N5
 Surge Protective Medical Grade Power Strips with Load Monitoring Inform™ Technology	15 A (12 A max continuous load)	7 Feet	—	53C4M-1S7	53C6M-1S7
		15 Feet	—	53C4M-1S5	53C6M-1S5
	20 A (16 A max continuous load)	7 Feet	—	53C4M-2S7	53C6M-2S7
		15 Feet	—	53C4M-2S5	53C6M-2S5

All strips available with flying leads - contact your Leviton sales representative for details.

Additional Accessories (Sold Separately)

Replacement Outlet Covers
Each will cover two outlets
5300M-CVR



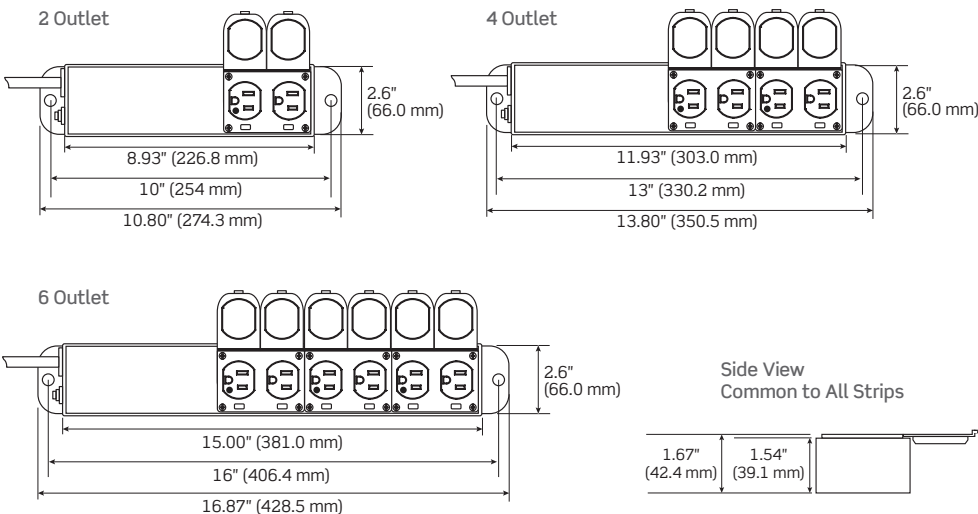
Mounting Bracket

Includes top and bottom mounting mechanisms
5300M-BKT

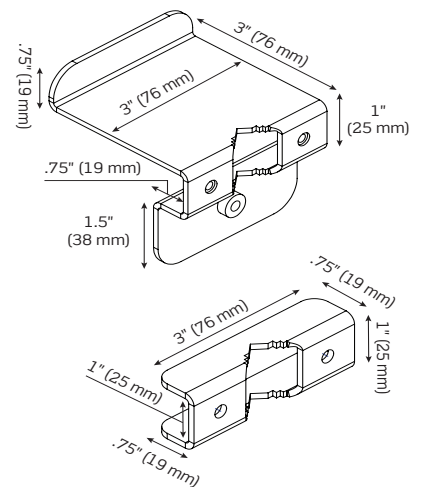


Dimensions

Medical Grade Power Strips



Mounting Bracket



Visit our Website at:
leviton.com/medstrips
email: inform@leviton.com
commercial@leviton.com

Leviton Manufacturing Co., Inc.

201 N Service Rd, Melville, NY 11747
Telephone: 1-800-323-8920 • FAX: 1-800-832-9538
Tech Line: 1-800-824-3005 (M-F 8AM-10PM; Sat 9AM-7PM; Sun 9AM-5PM)

