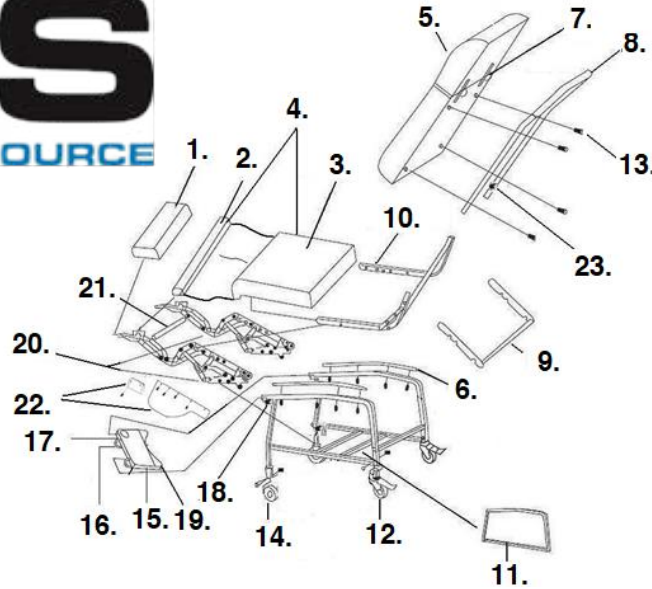


MPS

MEDICAL PARTS SOURCE



		Blue Ridge	Jade	Rose
1.	Footrest	D574P-1058BR	D574P-1058J	D574P-1058R
2.	Legrest	D574P-1055BR	D574P-1055J	D574P-1055R
3.	Seat	D574SEAT-BR	D574SEAT-J [1]	D574SEAT-R
4.	Seat with Legrest	D574P-SEATLEG-BR	D574P-SEATLEG-J	D574P-SEATLEG-R
5.	Back	D574BACK-BR	D574BACK-J	D574BACK-R
6.	Armrest	D574P-1070BR	D574P-1070J	D574P-1070R

		Charcoal	Chocolate	Tan	Cool Gray
1.	Footrest	D574P-1058CHAR	D574P-1058CHOC	D574P-1058TAN	D574P-1058CGRY
2.	Legrest	D574P-1055CHAR	D574P-1055CHOC	D574P-1055TAN	D574P-1055CGRY
3.	Seat	D574SEAT-CHAR	D574SEAT-CHOC	D574SEAT-TAN	D574SEAT-CGRY
4.	Seat with Legrest	D574P-SEATLEG-CHAR	D574P-SEATLEG-CHOC	D574P-SEATLEG-TAN	D574P-SEATLEG-CGRY
5.	Back	D574BACK-CHAR	D574BACK-CHOC	D574BACK-TAN	D574BACK-CGRY
6.	Armrest	D574P-1070CHAR	D574P-1070CHOC	D574P-1070TAN	D574P-1070CGRY

7. Headrest Adj Bracket Left- D574P-1048
Headrest Adj Bracket Right- D574P-1048-R

8. Push Handle- D574P-1004

9. Back Lock Bar- D574P-1050

10. Seat Frame- [2]

11. Side Panels- D574P-1020

12. Locking Casters (pr)- D574P-1025B

13. Hardware Set- D574P-1003

14. Front Caster (pr)- D574P-1027

15. Tray Table- D574P-1038

16. Tray Slide Tube- D574P-1064

17. Tray Slide Tube Fitting- D574P-1036

18. Tray Release Button- D574P-BTN

19. Screw & Washer Tray Table- D574P-1037

20. Reclining Mechanism (pr)- D574P-1035

21. Footrest Support Bar & Bolts- D574P-1060

Footrest Support Bar Bolt- D574P-1061

22. Protection Panels (ea)- D577P-1012

23. Back Release Button- D574-BBN

[1] When stock is gone the part is no longer available.

[2] The part is no longer available.