

User-Service Manual

Joerns® EasyCare® and Care 100

39" and 42" CareWide Extension Kit

To avoid injury, read user's manual before using.



Important Precautions

⚠ Warning: Possible Injury Or Death. Joerns® CareWide Extension Kit is designed specifically for the Joerns EasyCare and Care 100 model beds. Use of this product on any bed for which it was not designed could result in an unproven or unsafe configuration, potentially resulting in serious injury or death. For questions regarding compatibility, contact your Joerns representative.

⚠ Warning: Possible Injury or Death. CareWide Extensions are only to be used on standard fixed-width Joerns beds. Use of CareWide on an expandable mattress support platform could result in property damage, injury, or death.

⚠ Warning: Possible Injury Or Death. Use a properly sized mattress in order to minimize the gap between the side of the mattress and the assist device/rail. This gap must be small enough to prevent a resident from getting his/her head or neck caught in this location. Make sure that raising or lowering the bed, or contouring the mattress support platform does not create hazardous gaps. Failure to do so could result in serious injury or death.

⚠ Warning: Possible Injury Or Death. Bed safe working load is 500 pounds. This is total weight counting resident/patient, mattress, bedding, accessories and any other equipment or persons likely to be on bed. Do not exceed 500-pound safe working load. Exceeding the safe working load could result in property damage, injury or death.

⚠ Warning: Possible Shock Hazard. Unplug power cord from wall outlet before performing any maintenance, cleaning or service to the bed. Failure to do so could result in injury or death. **Note:** In case of unexpected movement, unplug bed from any outlet.

⚠ Warning: Possible Injury Or Death. Use a mattress that is properly sized to fit mattress support platform, which will remain centered on mattress support platform relative to State and Federal guidelines. Joerns Healthcare recommends the use of a mattress with minimum dimensions of 39" for 39" extensions and 42" for 42" extensions. Length should match mattress support platform. Use of an improperly fitted mattress could result in injury or death.

⚠ Warning: Possible Injury or Death. Possible pinch points may exist throughout the contouring of the mattress support platform if assembly instructions are not followed. Failure to do so could result in serious injury or death.

⚠ Warning: Possible Injury Or Death. Use a properly sized mattress in order to minimize the gap between the side of mattress and assist device. This gap must be small enough to prevent resident/patient from getting his/her head or neck caught in this location. Make sure that raising or lowering bed, or contouring the mattress support platform, does not create any hazardous gaps. Excessive gaps may result in injury or death.

⚠ Warning: Possible Injury Or Death. Locate mounting brackets for assist devices strictly according to instructions. Gap between head/foot panel and assist device must be small enough or large enough to prevent resident/patient from getting his/her head or neck caught in this location (see specific Assist Device Installation Instructions for more information). If multiple assist devices are used, position each so that gap between them is large enough for trunk and hips to pass through easily. Make sure raising or lowering bed, or contouring mattress support platform does not create any hazardous gaps. Failure to do so could result in injury or death. **Important Note:** Powered air mattress surfaces may pose a risk of entrapment. Prior to use, ensure the therapeutic benefits outweigh the risk of entrapment.

⚠ Warning: Possible Injury or Death. Ensure proper seating of the detent pins used to mount the extensions to the mattress support platform. Failure to do so could result in serious injury or death.

⚠ Warning: Possible Injury Or Death. Do not use any replacement parts not manufactured, marketed or provided by Joerns Healthcare on any Joerns bed. Use of unapproved replacement parts may result in injury or death.

⚠ Warning: An optimal bed system assessment should be conducted on each resident by a qualified clinician or medical provider to ensure maximum safety of the resident. The assessment should be conducted within the context of, and in compliance with, the state and federal guidelines related to the use of restraints and bed system entrapment guidance, including the *Clinical Guidance for the Assessment and Implementation of Side Rails* published by the Hospital Bed Safety Workgroup of the U.S. Food and Drug Administration. Further information can be obtained at the following web address: <http://www.fda.gov/MedicalDevices/ProductsandMedicalProcedures/GeneralHospitalDevicesandSupplies/HospitalBeds/default.htm>.

⚠ Warning: Possible Injury or Death. Use properly sized head/foot panels with the CareWide Extension Kit. Gap between head/foot panel and assist device mounted to the extension accessories must be small enough or large enough to prevent resident/patient from getting his/her head or neck caught in this location (see specific assist device installation instructions for more information). For questions regarding compatibility, contact your Joerns Healthcare Representative. Failure to do so could result in serious injury or death.

⚠ Warning: Possible Injury Or Death. If using accessories not manufactured, marketed or provided by Joerns Healthcare for Joerns® beds, consult with the manufacturer for compatibility and limitations prior to use. Failure to do so may result in injury or death.

⚠ Caution: Use of this bed results in a wider bed surface. Ensure the bed surface is free of obstacles before contouring or raising/lowering the bed.

⚠ Caution: Possible Injury. Possible pinch points may exist between the extension bracket and the UltraLock when the bed is adjusted to its lowest positions.

This CareWide Extension Kit is only one part of your healthcare bed system. Proper combinations of bed, mattress, head/foot panels, and assist devices are needed to minimize the risk of entrapment. For more information, contact your Joerns Healthcare representative.

Bed System Entrapment Information

In April 1999, the U.S. Food and Drug Administration (FDA) in partnership with representatives from the hospital and post-acute bed industry, including Joerns Healthcare, national healthcare organizations, resident advocacy groups, and other federal agencies formed the Hospital Bed Safety Workgroup (HBSW). The workgroup's goal is to improve the safety of bed frames for residents and patients in all health care settings who are most vulnerable to the risk of entrapment. The efforts of the FDA and the HBSW culminated in the FDA's release of recommended guidelines intended to reduce the risk of entrapment, including dimensional limits for critical gaps and spaces between bed system components and clinical guidance for assessment and implementation of bed side rails in various health care settings.

Entrapment zones involve the relationship of bed components often directly assembled by the healthcare facility rather than the manufacturer. Therefore, compliance is the responsibility of the facility.

As the leading manufacturer of long-term care beds and a frontrunner in addressing this critical issue, Joerns Healthcare can offer you the expertise, assistance and products to bring your facility into compliance.

Joerns Compliance Solutions

Matching the right bed components in order to meet regulatory guidelines can be complex.

That is why Joerns offers a wide array of compliance options. We assist customers in selecting compliant accessories recommended for their specific bed model.

Creating a Safer Care Environment

While the guidelines apply to all healthcare settings (hospitals, nursing homes and at home), long-term care facilities have particular exposure since serious entrapment events typically involve frail, elderly or dementia patients.

For More Information

To learn more about compliance options with Joerns products, visit our website at www.joerns.com, or contact our Customer Care representatives at 800.826.0270 and ask for free informational publications.

To learn more about entrapment zones, assessment methods, and guidelines concerning entrapment, contact Joerns Healthcare (800.826.0270) or consult the FDA website: <http://www.fda.gov/MedicalDevices/ProductsandMedicalProcedures/GeneralHospitalDevicesandSupplies/HospitalBeds/default.htm>.

Label Symbol Definition

⚠ Attention, Consult accompanying documents

Table of Contents

| | |
|---------------------------------|---|
| Important Precautions | 2 |
| Entrapment Information | 3 |
| Installation Instructions | 4 |
| Service Kits..... | 7 |
| Specifications | 7 |
| Maintenance | 7 |
| Warranty | 8 |

1. Remove existing head and foot end mattress stops, or corner mattress retainers, if so equipped.
2. Reference the location labels attached to the top of each extension. The labels identify the attachment location for each extension (Figure 1). **Note:** Figure 1 depicts 39" extensions. Labels are the same as used for the 42" extensions.
3. Place the extensions on the mattress support platform by aligning the "U" shaped brackets over the mattress support platform sides ensuring that the brackets are aligned with the wire grid sections as illustrated in Figures 1a, 1b, and 1c. **Note:** Figures 1a, 1b, and 1c depict 39" extensions. Locations on the bed frame are the same as for the 42" extensions.

Installation Instructions

Note: The CareWide Extension Kit is designed specifically for the EasyCare and Care 100 model beds; 39" and 42" width available for both 76" and 80" length beds.

⚠ Caution: Failure to properly align as indicated in Figures 1a, 1b, and 1c can result in injury or damage.

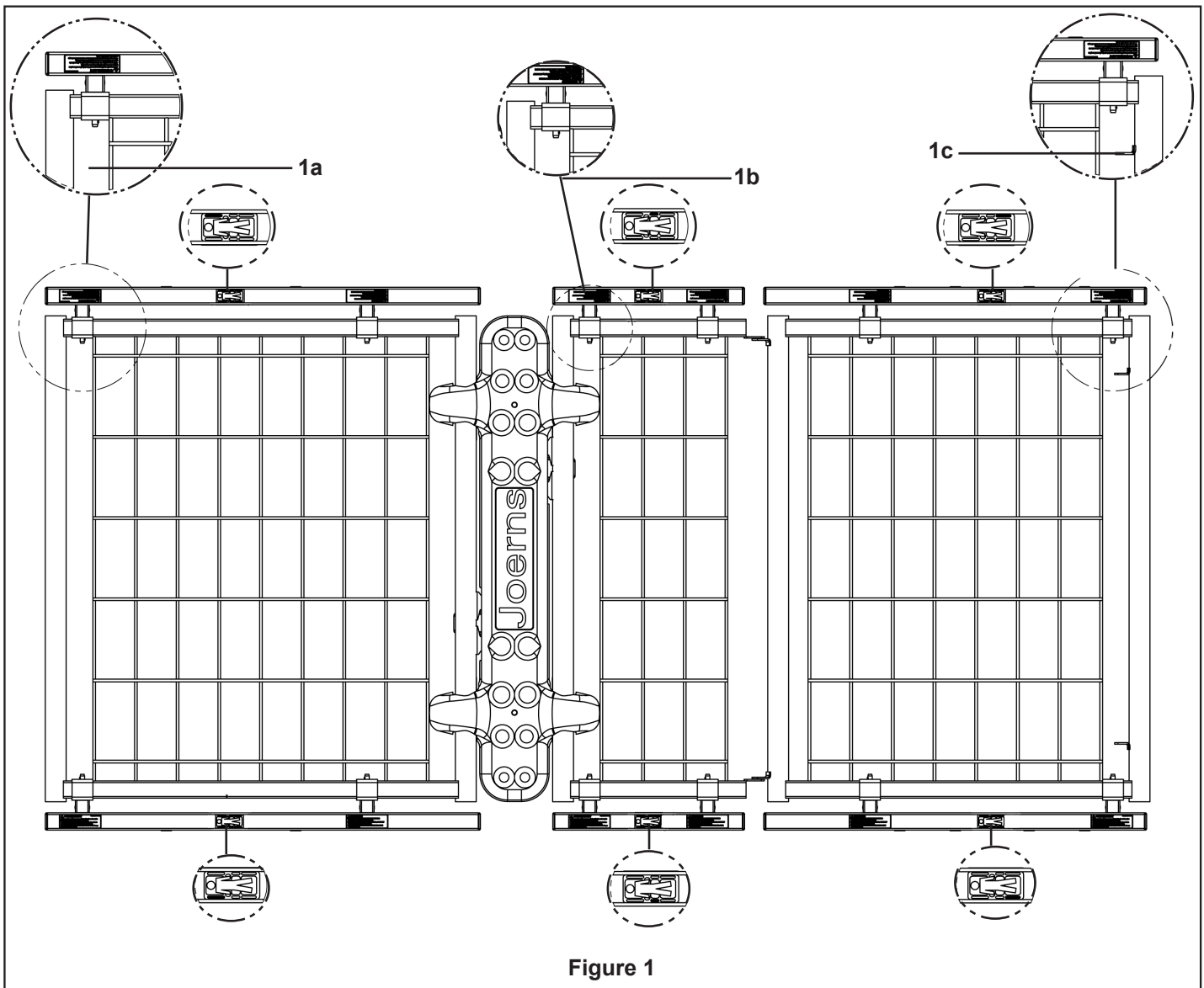


Figure 1

4. Locate the detent pins. Each extension requires two detent pins. Insert pins through the slot in the bracket and then through the hole (Figure 2).

⚠ Warning: Ensure that each pin is properly seated (Figure 3).

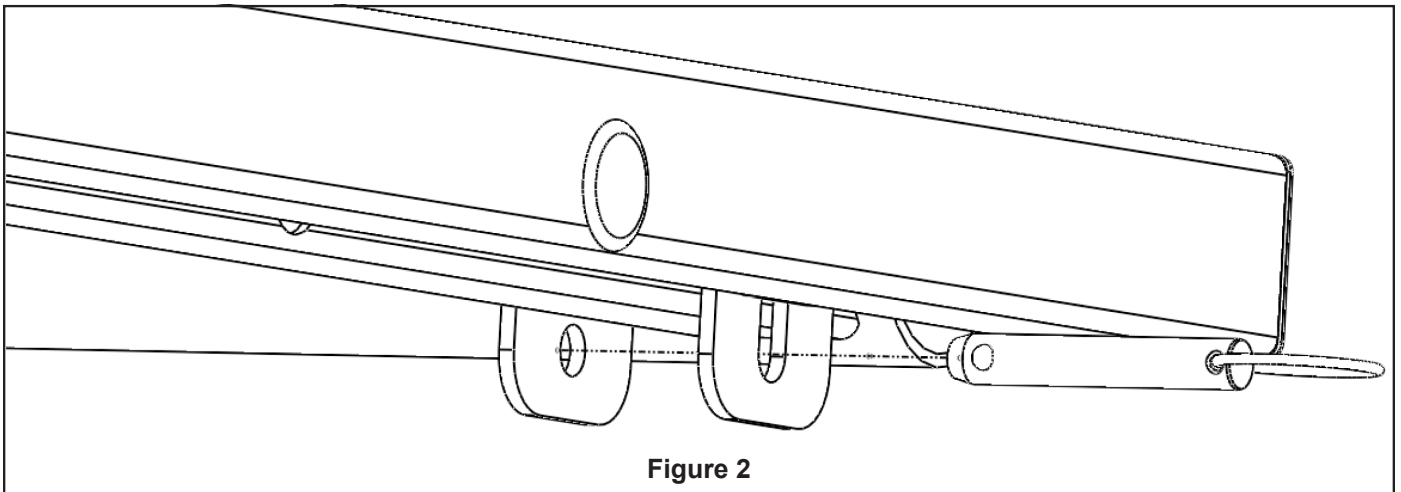


Figure 2

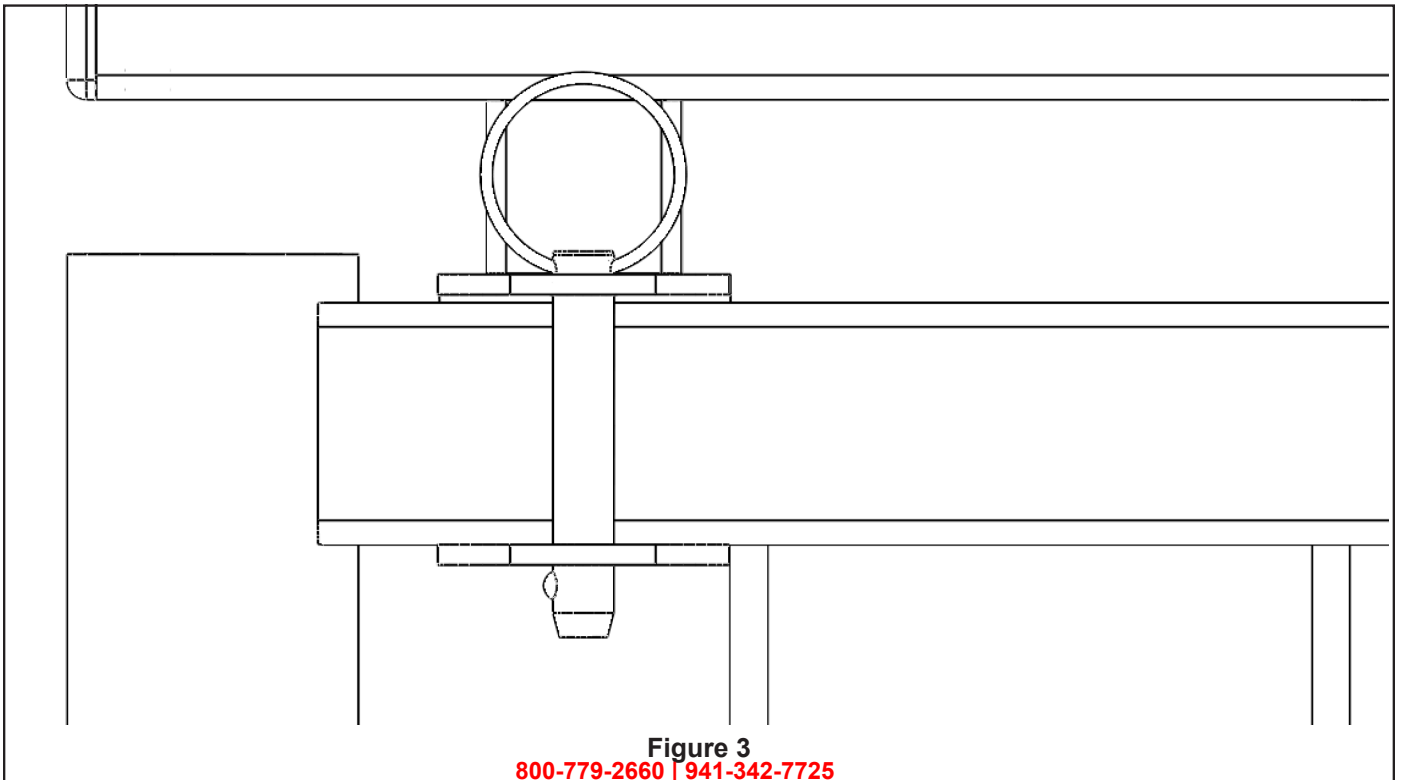


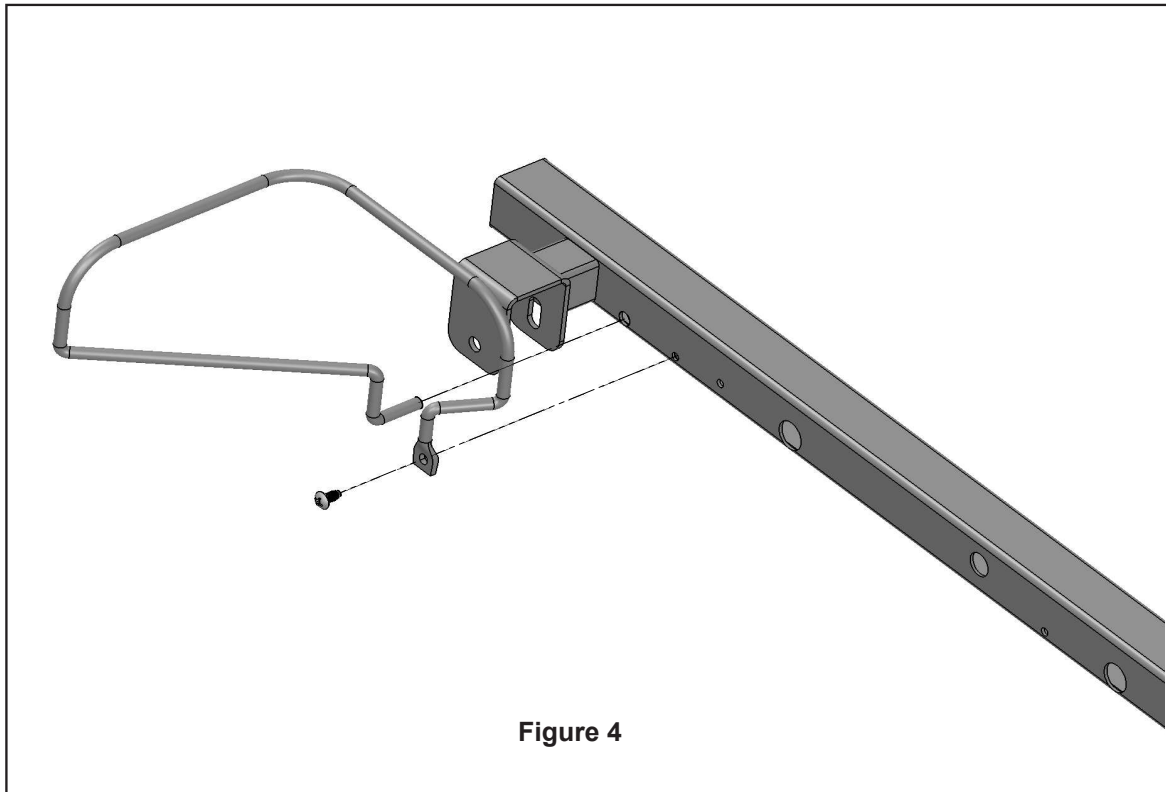
Figure 3

800-779-2660 | 941-342-7725

5. Once the extensions are fully assembled, you will need to install the mattress retainers provided with the extension kit. If your bed came equipped with corner mattress retainers, re-install them on the appropriate CareWide extensions. Screws have been pre-driven in the extensions for your convenience.

Note: If this is an extension replacement service kit, no mattress retainers were provided. Use the existing mattress retainers that were included in the original kit.

Warning: Use properly sized head/foot panels when used with assist devices to prevent entrapment issues.



CareWide Kit Includes:

| Description | Qty |
|---|-----|
| Left Back Extension | 1 |
| Right Back Extension | 1 |
| Left Foot Extension | 1 |
| Right Foot Extension | 1 |
| Left Knee Extension | 1 |
| Right Knee Extension | 1 |
| Detent Pin | 12 |
| Right Head/ Left Foot Mattress Retainer | 2* |
| Left Head/ Right Foot Mattress Retainer | 2* |

*Not all configurations include the Mattress Retainers; your bed may have been equipped with them at the time of manufacture.

42" Service Kits

| Part Number | Description |
|-------------|-----------------------------------|
| 39001160AL | KIT, EXTENSIONS 42", 80", LH |
| 39001161AL | KIT, EXTENSIONS 42", 80", RH |
| 39001162AL | KIT, EXTENSIONS 42", 76", LH |
| 39001163AL | KIT, EXTENSIONS 42", 76", RH |
| 39001157* | KIT, FASTENERS (12 BOLTS/12 NUTS) |
| 39001158 | KIT, END CAPS (12) |
| 39001159 | KIT, TUBE PLUGS (16) |
| 39001164 | KIT, DETENT PIN (12) |
| 24005271 | CLIP ASSEMBLY |

* For permanent attachment of extensions.

Maintenance

Maintenance/Inspection Information: Visually inspect the CareWide Extensions for loose or missing hardware on a monthly basis. Worn or broken parts need to be replaced immediately (i.e. replace detent pin if ring and/or spring loaded ball are missing or damaged).

39" Service Kits

| Part Number | Description |
|-------------|-----------------------------------|
| 39001153AL | KIT, EXTENSIONS 39", 80", LH |
| 39001154AL | KIT, EXTENSIONS 39", 80", RH |
| 39001155AL | KIT, EXTENSIONS 39", 76", LH |
| 39001156AL | KIT, EXTENSIONS 39", 76", RH |
| 39001157* | KIT, FASTENERS (12 BOLTS/12 NUTS) |
| 39001158 | KIT, END CAPS (12) |
| 39001159 | KIT, TUBE PLUGS (16) |
| 39001164 | KIT, DETENT PIN (12) |
| 24005271 | CLIP ASSEMBLY |

* For permanent attachment of extensions.

Specifications

| | Standard | 39" Ext | 42" Ext |
|------------------------------------|----------|---------|---------|
| Width of mattress support platform | 35" | 39.25" | 41.5" |
| Weight of Extensions | n/a | 23 lbs | 25 lbs |

Joerns Healthcare Warranty Program for Joerns CareWide Extensions

Joerns CareWide Extensions are guaranteed for a period of 12-months from the date of delivery against defects in materials and workmanship under normal use and service. Steel structural components and welds are covered under warranty for a period of five-years from the date of delivery.

This warranty does not apply to damage or defects caused by misuse, incorrect handling, or installation by a non-authorized installer. Damage caused by use in unsuitable environmental conditions or failure to maintain the product in accordance with user and service instructions is not covered. Any alteration, modification, or repair unless performed, or authorized in writing, by Joerns Healthcare will void this warranty. Use of the CareWide Extension Kit on any Joerns bed model other than Joerns EasyCare or Care 100 will also result in voiding of Bed Frame and CareWide Extension Kit warranties respectively.

The product contains various parts that wear from normal use. These parts, such as detent pins, are not covered under the 12-month warranty, but are covered for 90 days after purchase of product.

Joerns Healthcare's obligation under this warranty is limited to supplying replacement parts, servicing or replacing, at its option, any product which is found by Joerns Healthcare to be defective. Warranty replacement parts are covered by the terms of this warranty until the product's original warranty period expires.

When requested by Joerns Healthcare, parts must be returned for inspection at the customer's expense. Credit will be issued only after inspection.

Service

Most service requests can be handled by the facility Maintenance Department with assistance from the Joerns Healthcare product Service Department. Most parts requested can be shipped UPS next day air at the customer's expense. Should a technician be required, at our discretion, one will be provided by Joerns Healthcare. Only the Joerns Healthcare Product Service Department can dispatch authorized technicians.

Post Acute, Acute, HomeCare
2430 Whitehall Park Dr. Ste 100
Charlotte, NC 28273
(P) 800.826.0270
(F) 800.457.8827

VA/Government
19748 Dearborn Street
Chatsworth, CA 91311
(P) 800.966.6662
(F) 800.232.9796

Canadian Office
1000 Clarke Rd. Ste 6
London, ON Canada N5V 3A9
(P) 866.546.1151
(F) 519.451.8662

**United Kingdom and
Other Countries**
+44 (0)844 811 1156
+44 (0)844 811 1157

Netherlands
+31 (0)30 6363700
+31 (0)30 6363799

800-779-2660 | 941-342-7725