

Concerto/Basic Parts List

ARJOHUNTLEIGH
GETINGE GROUP



General information

Note. All article numbers starting with **85** indicates that more than one detail is included in the article number. Blue text indicates changes compared to previous manual.

How to order

Before ordering spare parts study the exploded view closely and make sure that you note all involved spare parts.

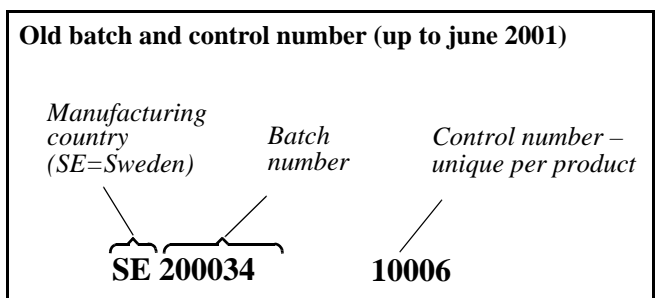
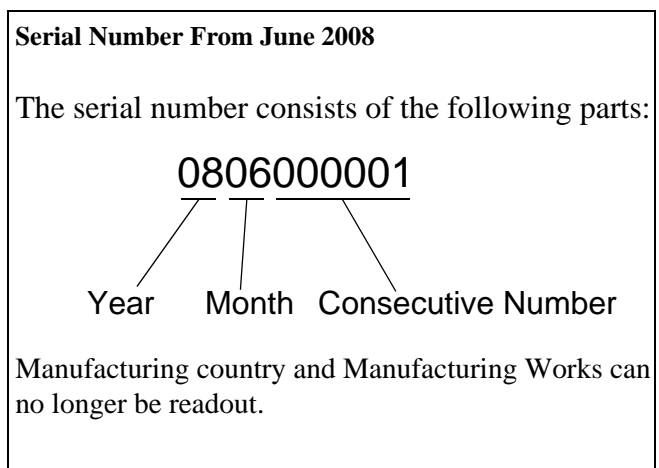
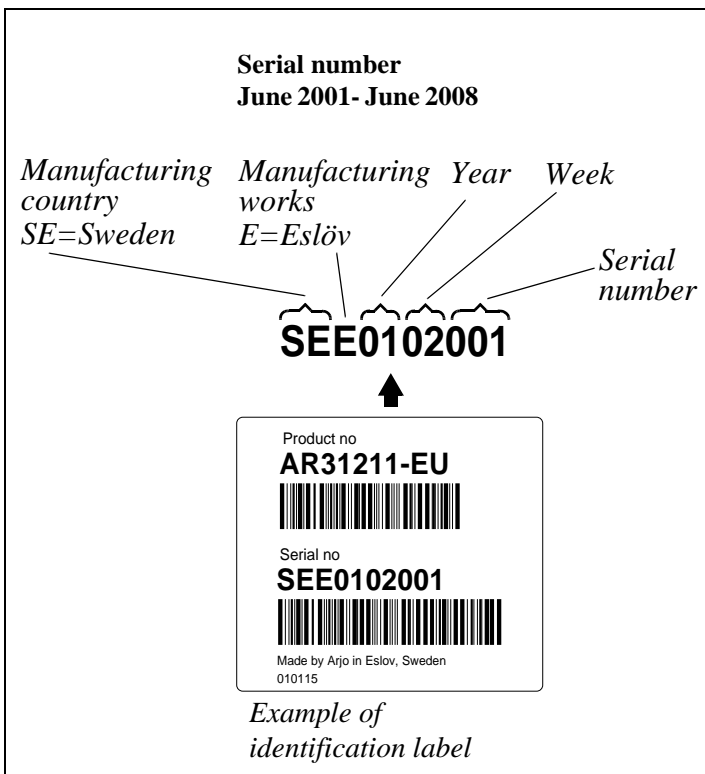
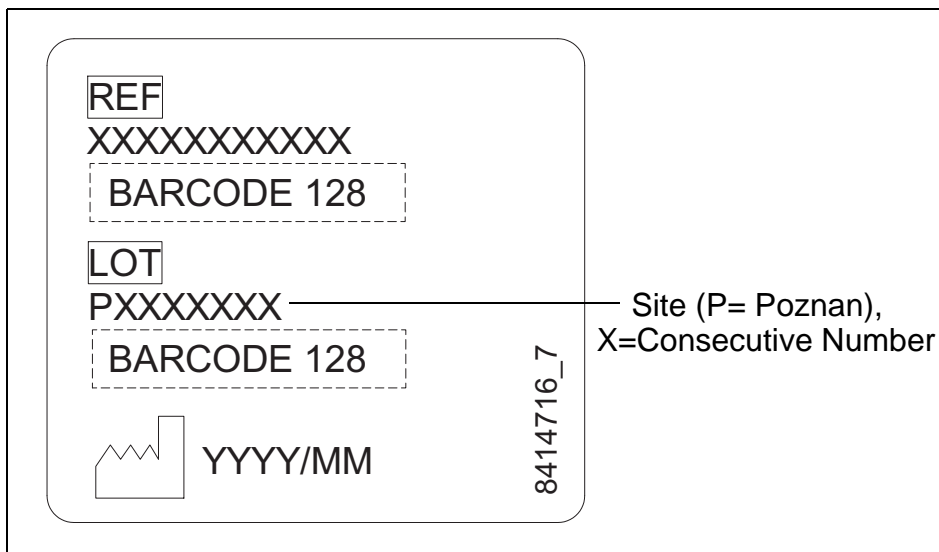
Please note that gaskets and o-rings normally are included in kits and can not be ordered separately.

When taking contact with ArjoHuntleigh Parts sales always have the following information at hand:

- Correct name of the product. See type label.
- The serial number of the product. See labels

Old parts

This Parts List does not show complete history. For old parts not found please refer to previous Part List 5.08.04/3.



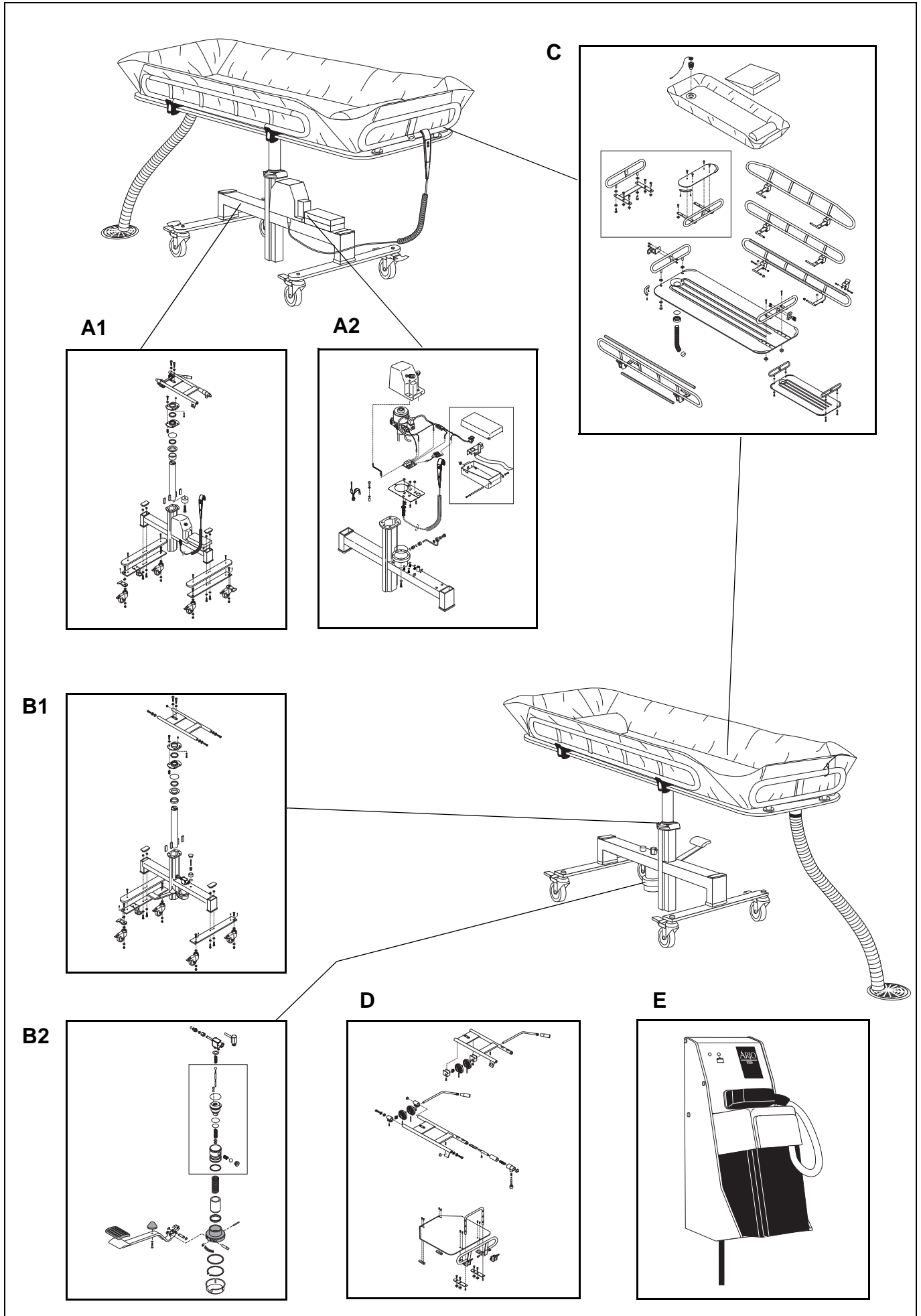
Contents Concerto/Basic

Overview	4
A1 Electric Chassis (Concerto)	6
A2 Electric Pump/Battery Box (Concerto)	8
B1 Hydraulic Chassis	10
B2 Hydraulic Pump	12
C Stretcher	14
D Horizontal Adjustment (Concerto)/Back Support ...	18
E Battery Charger/Battery (Concerto)	20
Preventive Maintenance Parts/Recommended Spares	23
Service Articles and Special Tools	24

Overview

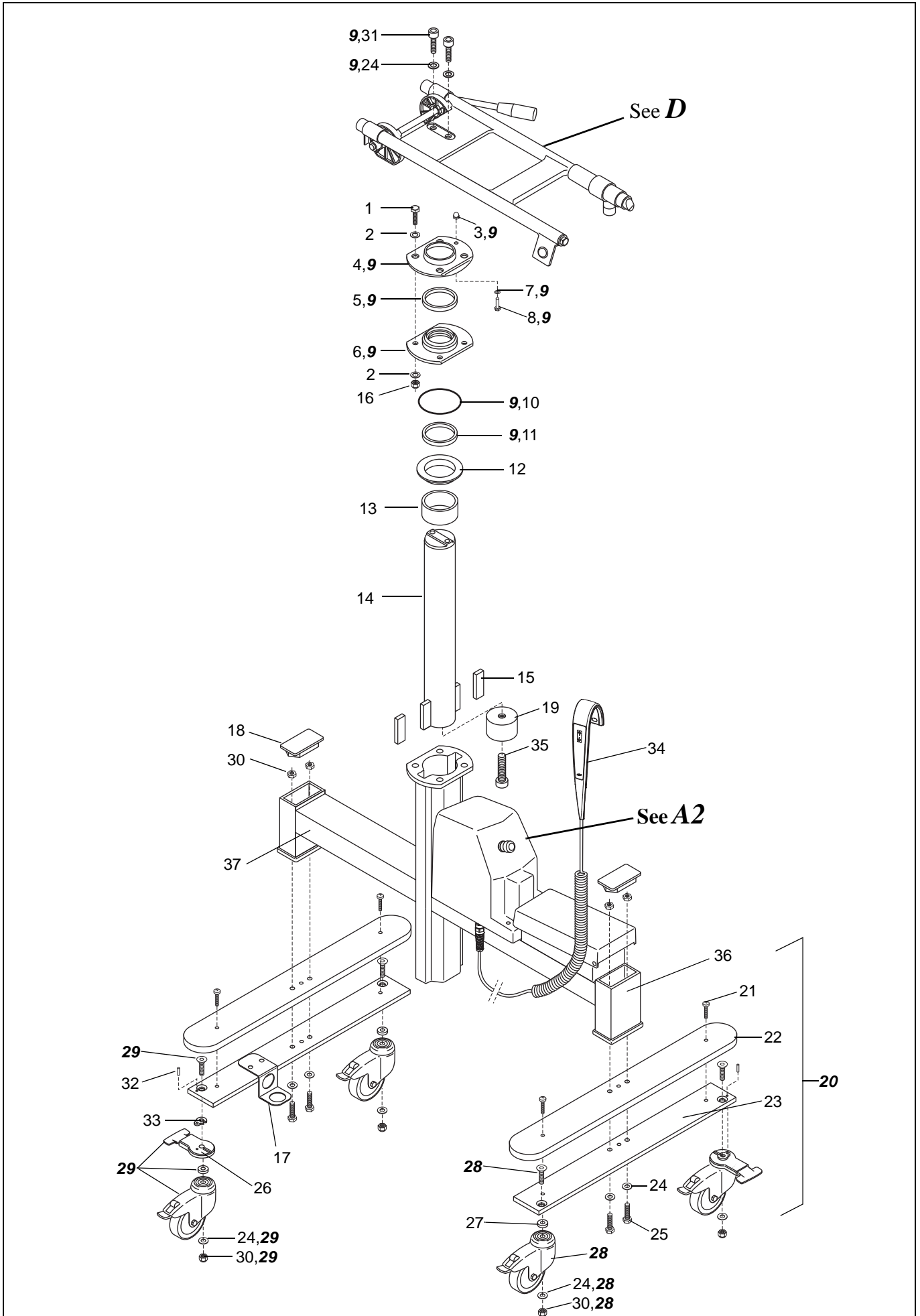
Pos	Description	See page
A1	Electric Chassis (Concerto)	6
A2	Electric Pump/Battery Box (Concerto)	8
B1	Hydraulic Chassis	10
B2	Hydraulic Pump	12
C	Stretcher	14
D	Horizontal Adjustment/Back Support (Concerto)	18
E	Battery Charger/Battery	20

Overview



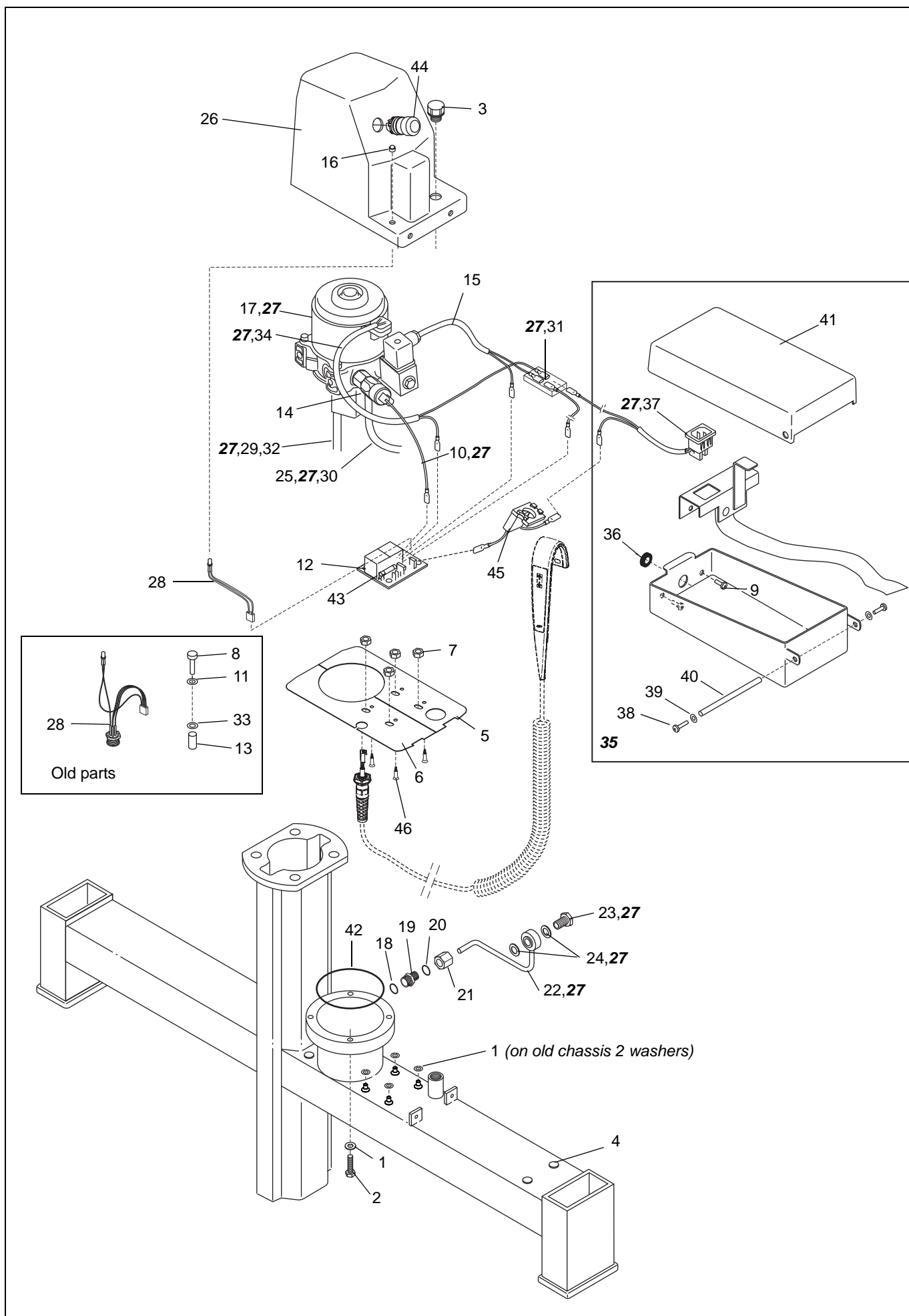
<i>AI Electric Chassis (Concerto)</i>						
Pos	Art. No.	Qty	Description	From ser. No.	Up to ser. No.	Remarks
A	S8538121-013	1	Electric chassis complete			No Castor balk
1	6100630	4	Screw A4 M6S ISO 4014 M6x30-80			
2	6200003	8	Washer A4 BRB ISO 7089 6.4 x12x1.6-			200HV
3	6210023	1	Nut A4 MHM DIN 1587 M4-80			
4	8421223-04 8421223-031	1	Washer, white Washer, grey			
5	6300002	1	Scraper			
6	8422062-013	1	Bearing, dark blue			
7	6261202	1	O-ring			
8	8435159	1	Nipple			
9	8536002-031	1	Bearing complete, grey			
10	6260065	1	O-ring			
11	6321005	1	Seal			
12	8422059	1	Guide			
13	8435771	1	Stop ring			
14	8322055 8343332	1	Lifting piston Lifting piston, 1600mm stretcher			
15	8321060-01	2	Guide piece			
16	6210043	4	Lock nut A4-DIN 985 M6-80			
17	8357924-031	1	Hose holder, grey			
18	8321086-013	2	End plug, dark blue			
19	8443334	1	Spacer			1600 mm chassis
20	S8551413-013	2	Castor balk complete, grey			
21	6190337	4	Screw A4 MRT-TT ISO 14583 M6x12			
22	8123945-013	2	Cover, dark blue			
23	8351402-031	2	Balk, grey			
24	6200007	10	Washer A4 BRB ISO 7089 10.5x20x2			200HV
25	6101040	4	Screw A4 M6S ISO 4014 M10x40-80			
26	6907742	2	Straight steering			
27	6200019	2	Washer A4 TBRSSB-SS 1466 10,5x28x6			200HV
28	6311031 8546848	4 2	Castor (Rhombus) Castor kit	000701	000701	
29	8546849	2	Castor kit, straight steering	000701		
30	6210045	8	Lock nut A4-DIN 985 M10-80			
31	6190089	2	Screw A4 MC6S ISO 4762 M10x22-100			DriLoc
32	8524024	2	Pin kit			
33	8451407	2	Washer			
34	8560055	1	Hand control			Before serial number 1106000126 see Maintenance and Repair Manual for replacement procedure
35	6130825	1	Screw A4 MC6S ISO 4762 M8x25-80			1600 mm chassis
36	8418700		ArjoHuntleigh logo			
37	8618781	1	Label Concerto			

A1



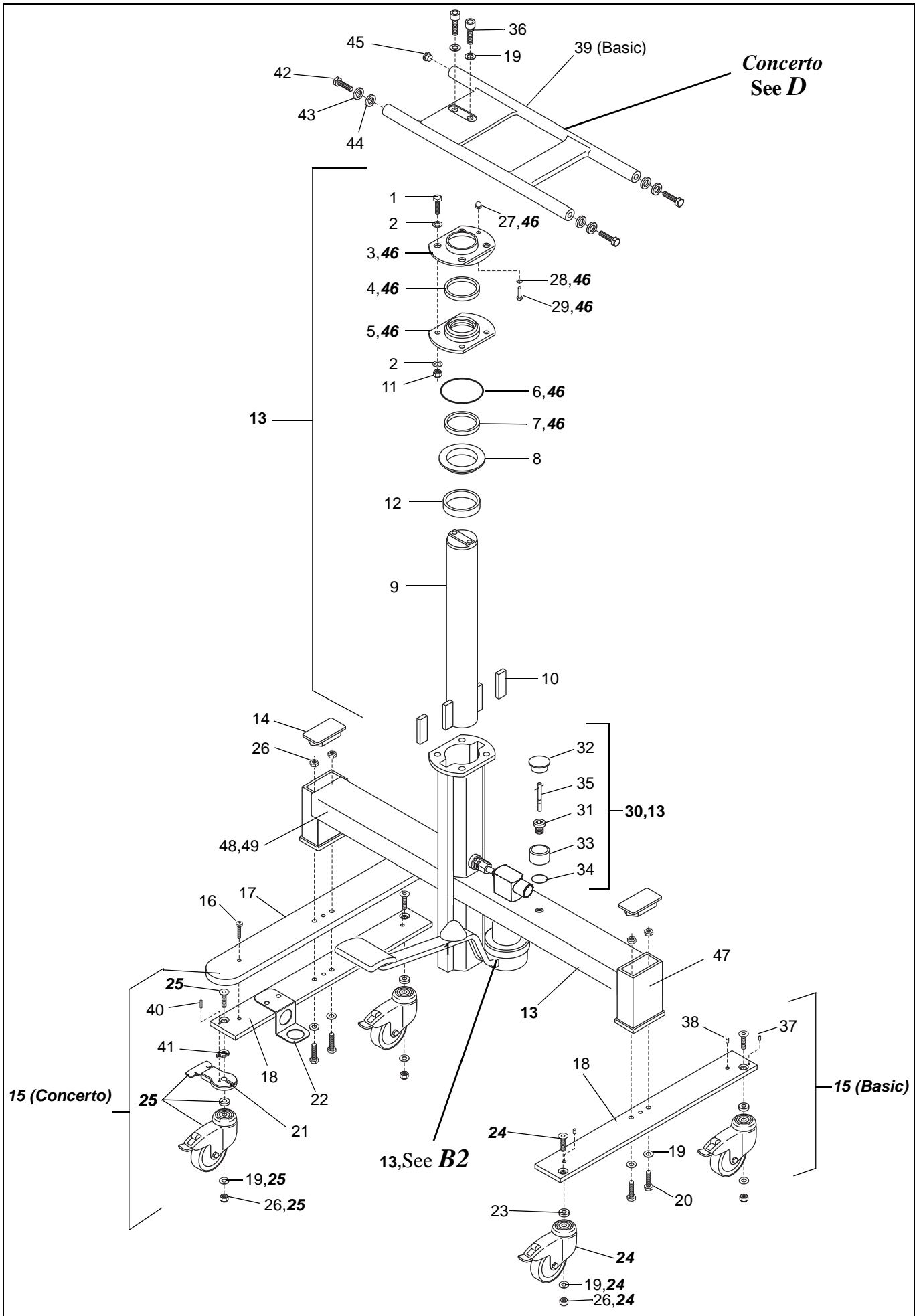
A2		<i>Electric Pump/Battery Box(Concerto)</i>				
Pos	Art. No.	Qty	Description	From ser. No.	Up to ser. No.	Remarks
1	6200003	8	Washer A4 BRB ISO 7089 6.4x12x1.6			200HV
2	6100625	4	Screw A4 M6S ISO 4017 M6x25-80			
3	6316076	1	Lid			
4	6301017	4	Buffer			
5	8361892	1	Protection plate			New edition
6	8361893	1	Protection plate			New edition
7	6210013	4	Nut A4 M6M ISO 4032 M6 -80			
8	6120316	4	Screw A4 MCS ISO 1207 M3x16-80		1106000125	
9	6130612	2	Screw A4 MC6S ISO 4762 M6x12-80			
10	8461655	1	Cable pressure switch			New edition
11	6200082	4	Washer, 3,2x7x0,5 plastic		1106000125	
12	8331275	1	PCB			
13	6303081	4	Spacer		1106000125	
14	6907166	1	Pressure switch			
15	8439139	1	Cable solenoid valve	*		*New edition SEE0449195
16	6367020	1	LED-clip			
17	6316284	1	Hydraulic unit	SEE0449195		
18	6261207	1	O-ring			
19	8433404	1	Coupling			
20	6319163	1	Cutting ring			
21	6312032	1	Nut			
22	8333184 8457160	1	Tube	SEE0449195	SEE0449194	
23	6301008 8457155	1	Banjo screw	SEE0449195	SEE0449194	
24	6250293	2	Washer KB M14	SEE0449195		
25	6319485	1	Hose clamp	SEE0449195		
26	8133049-013 8161891-013	1	Cover, dark blue Cover, dark blue	1106000126	1106000125	With hole for emergency stop button
27	8546921	1	Replacement kit hydraulic unit		SEE0449194	Replaces 8233186
28	8454946 8461618	1	Cabling LED-hand control Cabling LED	1106000126	1106000125	
29	6270347	0,1m	Hose			
30	6270169-350	1	Hose			
31	6374022 8457034	1	Wire distributor	SEE0449195	SEE0449194	
32	6319445	1	Hose clamp			
33	6200152	4	Washer Skiffy		1106000125	
34	8356749	1	Harness, motor	SEE0449195		
35	S8538116-013	1	Battery box grey, complete			.Up to SEE0449194 cable 8433181 must be ordered separately.
36	6370002	1	Rubber inlet			
37	8433181 S8457189	1	Cable, battery box	SEE0449195	SEE0449194	S8457189 includes connector for versions without emergency stop.
38	6190108	2	Screw A4 - MRX ISO 7045 M4x10-80-Z			
39	6200001	2	Washer A4 BRB ISO 7089 4.3x8x0.8			200HV
40	8424964	1	Shaft			
41	8224236-013	1	Lid, dark blue			
42	6260065	1	O-ring			
43	6379077	1	Fuse T15AL 6,3x32mm			
44	6319516	1	Emergency stop			
45	8360696	1	Cabling Emergency stop			
46	6370704	4	Spacer			

A2



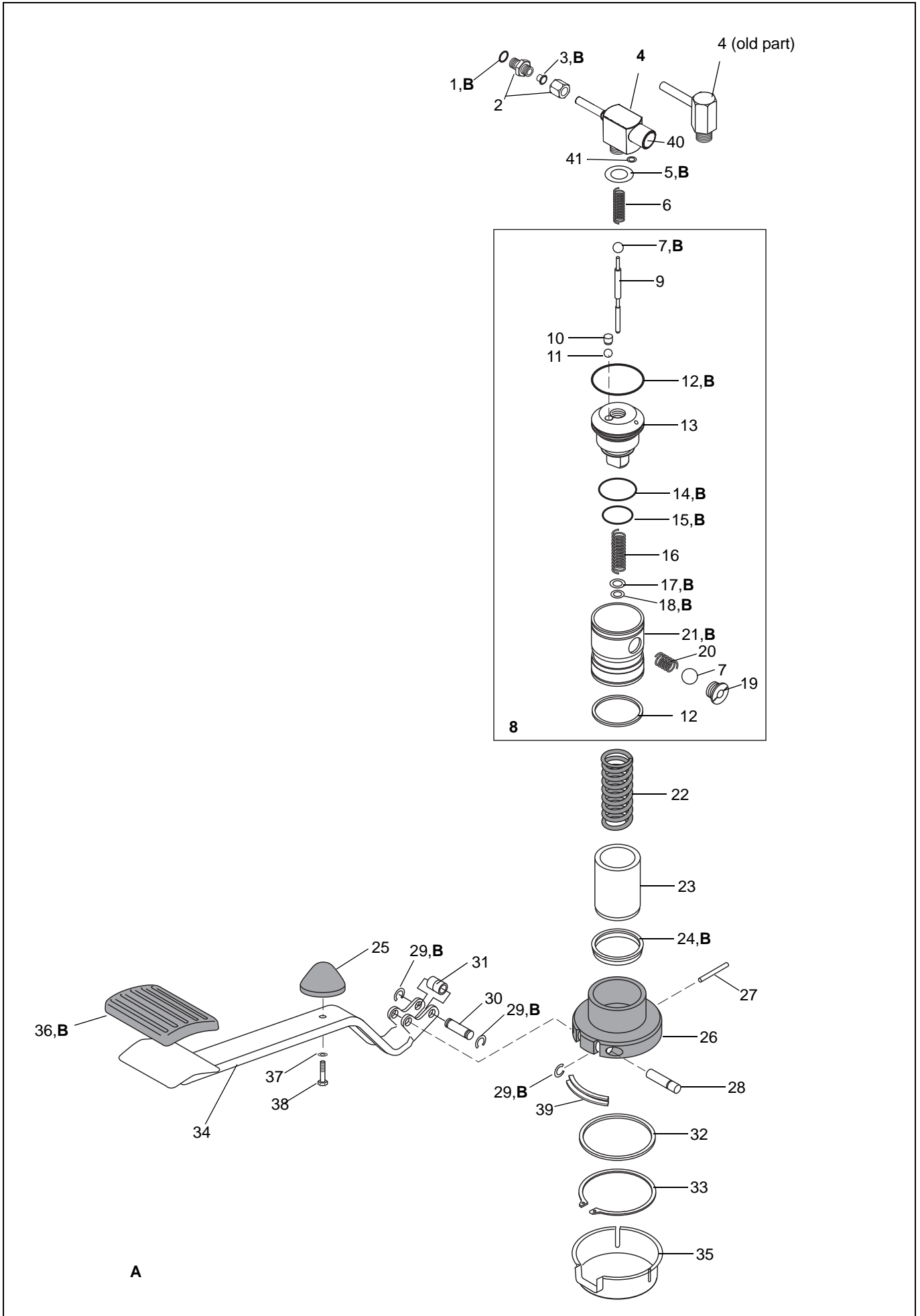
BI		Hydraulic Chassis				
Pos	Art. No.	Qty	Description	From ser. No.	Up to ser. No.	Remarks
1	6100630	4	Screw A4 M6S ISO 4014 M6x30-80			
2	6200003	8	Washer A4 BRB ISO 7089 6.4x12x1.6			200HV
3	8421223-04 8421223-031	1	Washer, white Washer, grey			
4	6300002	1	Scraper			
5	8422062-013	1	Bearing, dark blue			
6	6260065	1	O-ring			
7	6321005	1	Seal			
8	8422059	1	Guide			
9	8322055	1	Lifting piston			
10	8321060-01	2	Guide piece			
11	6210043	4	Lock nut A4-DIN 985 M6-80			
12	8422060	1	Stop ring			
13	S8531803-013	1	Chassis grey, complete			No Castor balk
14	8321086-013	2	End plug, dark blue			
15	S8551413-013 S8551410-031	2	Castor balk compl., straight steering Castor balk compl.			Concerto, grey Basic, grey
16	6190337	4	Screw A4 MRT-TT ISO 14583 M6x12			Concerto
17	8123945-013	2	Cover, dark blue			Concerto
18	8351402-04 8351402-031	2	Balk, white Balk, grey	000701		
19	6200007	10	Washer A4 BRB ISO 7089 10.5x20x2			
20	6101040	4	Screw A4 M6S ISO 4014 M10x40-80			
21	6907742	2	Straight steering			
22	8357924-031	1	Hose holder, grey			Concerto
23	6200019	2/4	Washer A4 TBRB-SS 1466 10,5x28x6			Concerto 2, Basic 4
24	6311031 8546848	4 2/4	Castor (Rhombus) Castor kit	000701	000701	Concerto, Basic 4 Concerto 2, Basic 4
25	8546849	2	Castor kit, straight steering	000701		Concerto
26	6210045	8	Lock nut A4-DIN 985 M10-80			
27	6210023	1	Nut A4 MHM DIN 1587 M4-80			
28	6261202	1	O-ring			
29	8435159	1	Air nipple			
30	S8542204	1	Oil plug, complete			
31	8411564	1	Screw			
32	6327001	1	End plug			
33	8423546	1	Oil plug			
34	6260047	1	O-ring			
35	8446002	1	Oil pin			
36	6190089	2	Screw A4 MC6S ISO 4762 M10x22-100			DriLoc
37	6327086	2	Plug, white	000701		Basic, white chassis
38	6327087	4	Plug, white	000701		Basic, white chassis
39	8142210-04 8142210-031	1	Fixation plate, white Fixation plate, grey			Basic
40	8524024	2	Pin kit			Concerto
41	8451407	2	Washer			Concerto
42	6100820	3	Screw A4 M6S ISO 4017 M8x20-80			Basic
43	8411342	3	Washer			Basic
44	8411343	3	Bush			Basic
45	6380013	1	End plug			Basic
46	8536002-031	1	Bearing complete, grey			
47	8418700	1	ArjoHuntleigh logo			
48	8618782	1	Label Basic			
49	8618781	1	Label Concerto			

B1



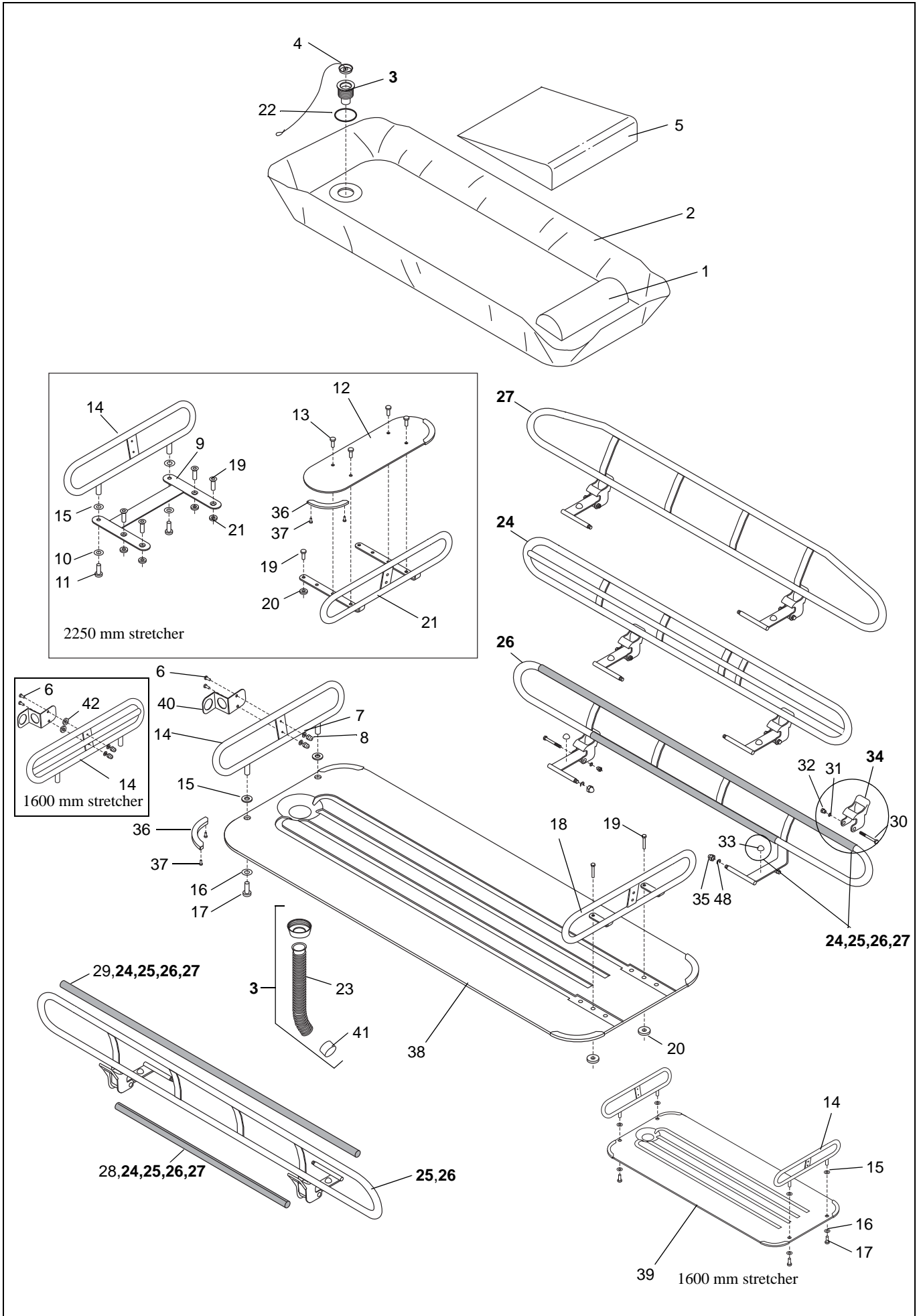
B2		Hydraulic Pump				
Pos	Art. No.	Qty	Description	From ser. No.	Up to ser. No.	Remarks
A	S8531802-031 S8563377-031	1	Hydraulic pump grey complete	1105000706	1105000705	Not incl. pos 1-6, 22-24, 32,33,35
B	8535483 8563375	1	Repair kit	1105000706	1105000705	
1	6260012	1	O-ring			
2	8420709	1	Straight coupling			
3	8421261	1	Cone			
4	8420712 S8662034	1	Coupling Pressure relief valve	1105000706	1105000705	Incl. pos 40
5	6260041	1	O-ring			
6	8421260	1	Spring			
7	6310031	2	Ball			
8	8531174 8563376	1	Pump insert kit	1105000706	1105000705	
9	8421762	1	Lowering pin			
10	8420724	1	Plug			
11	6310028	1	Ball			
12	6260057	2	O-ring			
13	8321763	1	Pump body			
14	6260054	1	O-ring			
15	6260050	1	O-ring			
16	8420749	1	Spring			
17	6200001	1	Washer A4 BRB ISO 7089 4.3x8x0.8			200HV
18	6319006	1	Circlip			
19	8421248	1	Suction nipple			
20	8421249	1	Spring			
21	8420907 8662661	1	Spacer	1105000706	1105000705	
22	8420913	1	Pressure spring			
23	8420904	1	Piston			
24	6310074	1	Seal			
25	8421764	1	Stopper			
26	8320725	1	Bearing ring			
27	6240330	1	Pin			
28	8420731	1	Pedal shaft			
29	6319032	3	Circlip			
30	8420732	1	Shaft			
31	8420733	1	Sleeve			
32	8421055	1	Sliding ring			
33	6319023	1	Circlip			
34	8221820-04 8221820-031	1	Pedal, white Pedal, grey			
35	8320746	1	Pump cover			
36	8321832	1	Pedal rubber			
37	6200003	1	Washer A4 BRB ISO 7089 6.4 x 12 x 1.6-			200HV
38	6100620	1	Screw A4 M6S ISO 4017 M6x20-80			
39	8443822	1	Damper			
40	6327089	1	End plug			Included in pos 4
41	6260007	1	O-ring 9,1x1,6			

B2



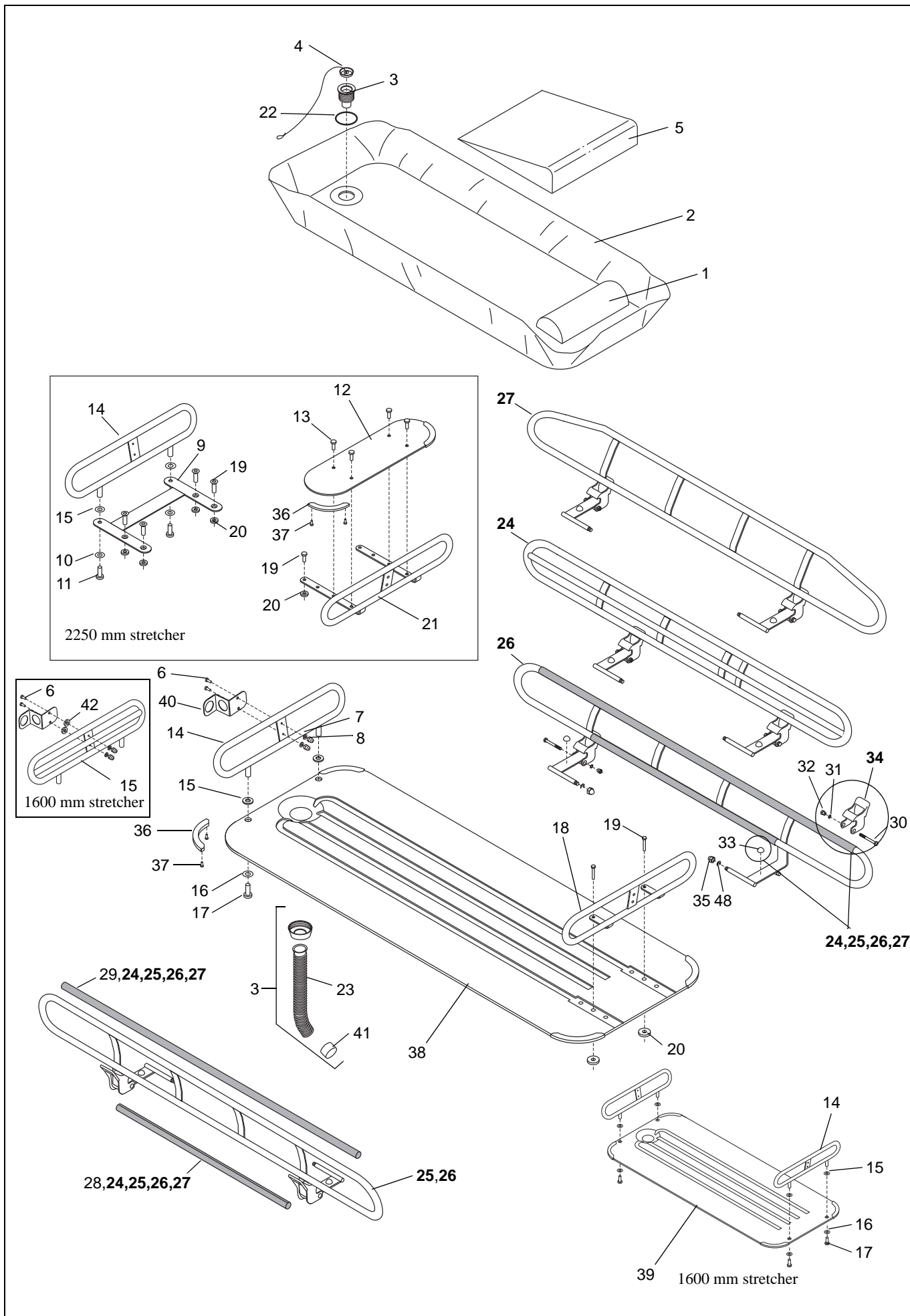
C <i>Stretcher</i>						
Pos	Art. No.	Qty	Description	From ser. No.	Up to ser. No.	Remarks
1	8231551-013	1	Pillow, dark blue			
2	8131431-014	1	Mattress, light blue 1600 mm			Symbol direction added SEE0742564
	8131422-014		Mattress, light blue 1900 mm			
	8131421-014		Mattress, light blue 2250 mm			
3	100828	1	Drainage hose, complete			1000mm
	100828-1500			1500mm		
	100828-2000			2000mm		
	100828-3000			3000mm		
4	8523863-014	1	Drainage plug light blue complete			
5	100880-01	1	Wedge pillow, light blue			
6	6190349	2	Screw A4 K6S ISO 7380 M6x20-80			1600 mm stretcher
	6190233	2	Screw A4 K6S ISO 7380 M6x12-70			
7	6200003	2	Washer A4 BRB ISO 7089 6.4 x12x1.6-			200HV
8	6210028	2	Nut A4 MHM DIN 1587 M6-80			
9	8322068-04	1	Extension, white			2250mm stretcher
	8322068-031		Extension, grey			
10	6200005	2	Washer A4 BRB ISO 7089 8.4x16x1.6			200HV, 2250mm stretcher
11	6100820	2	Screw A4 M6S ISO 4017 M8x20-80			2250mm stretcher
12	8322077-04	1	Plate, white			2250mm stretcher
	S8322077-031		Plate, grey			
13	6150612	4	Screw A4 MF6S ISO 10642 M6x12-80			2250mm stretcher
14	8208700-04	1	End support, white			1900mm/Basic, 2250mm stretcher
	8208700-031	1	End support, grey			1900mm/Basic, 2250mm stretcher
	8259800-031	2	End support, grey (3 bars)	SEE0739580		1600mm stretcher
15	8425485	2/4	Washer white			2:1900mm/Basic, 2250mm stretcher 4:1600mm stretcher
16	8408696	2/4	Washer white, countersunk			2:1900mm/Basic 4:1600mm stretcher
17	6150825	2/4	Screw A4 MF6S ISO 10642 M8x25- BUMAX88			2:1900mm/Basic, 4:1600mm
18	8211963-04	1	Head support, white			1900mm stretcher
	8211963-031		Head support, grey			
19	6150820	2/8	Screw A4 MF6S ISO 10642 M8x20- BUMAX88			2:1900mm/Basic 8: 2250mm stretcher
20	8411097	2/8	Washer			2:1900mm/Basic 8: 2250mm stretcher
21	8222076-04	1	Head support, white			2250mm stretcher
	8222076-031		Head support, grey			
22	6262414	1	O-ring			
23	6270101	1m	Hose			
24	S8533571-031	1	Kit Sidesupport 1600mm right grey			Incl pos. 30-35
25	S8533572-031	1	Kit Sidesupport 1600 mm left grey			Incl pos. 30-35
26	S8533570-031	2	Kit Sidesupport 1900/2250mm grey			Incl pos 30-35
27	S8523559-031	2	Kit Sidesupport 1900/2250mm high- grey			Incl pos 30-35
28	8432063-031	2	Cover grey short (790mm)			Concerto
29	8431416-031	2	Cover grey long (1230mm)			1600 and 1900mm/Basic stretcher High side support 1600 mm stretcher (3 bars)
	8431737-031		Cover grey long (935mm)			
	8460143-031		Cover grey long (1365mm)			
30	6100550	4	Screw A4 M6S ISO 4014 M5x50-80			
31	6200002	4	Washer A4 BRB ISO7089 5.3x10x1-			200HV
32	8425558	4	Nut			
33	6301018	4	Buffer			

C



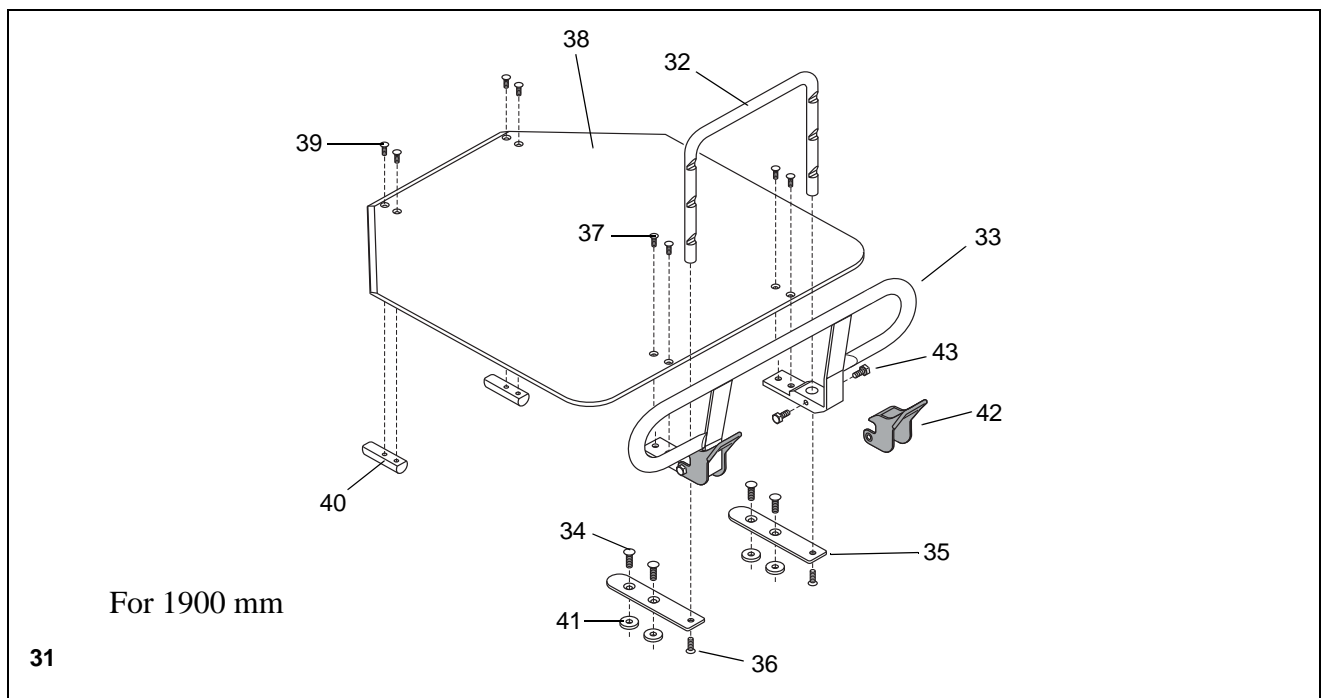
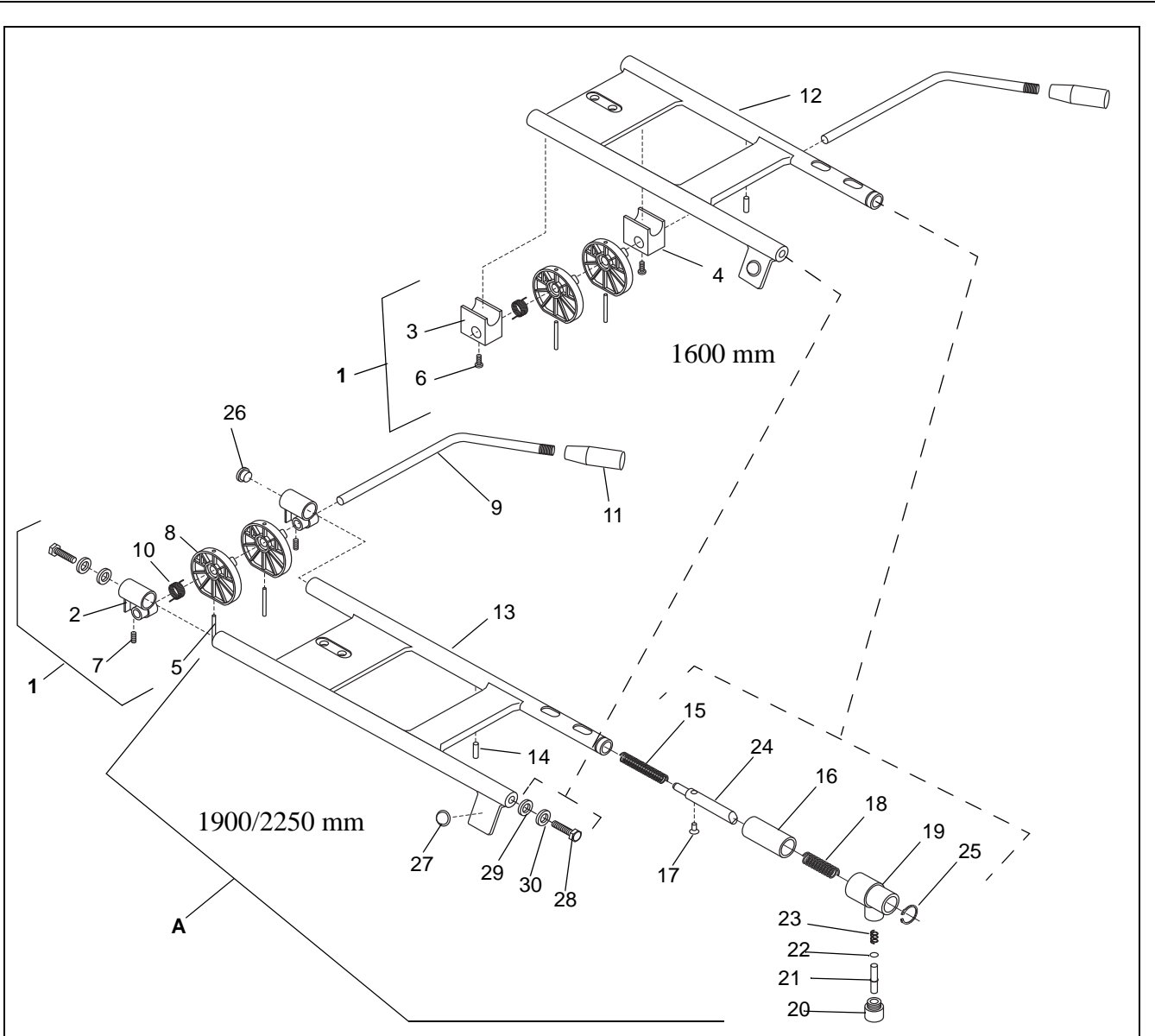
C						
<i>Stretcher</i>						
Pos	Art. No.	Qty	Description	From ser. No.	Up to ser. No.	Remarks
34	8451622 8546608	4 1	Catch, complete Catch kit			Incl. 4 catches and 8663983
35	6210024	4	Cap nut A4 MHM DIN 1587 M8 - 80			
36	8411517	4	End protection			
37	6314022	8	Rivet 3,2x9,9			
38	S8311978	1	Stretcher 1900 mm,			Concerto/Basic incl screws/washers
39	S8323871	1	Stretcher 1600 mm			Concerto incl screws/washers
40	8357924-031	1/2	Hose holder, grey			Concerto 2 pcs/ Basic 1pcs
41	8408987	1	Tub			
42	8460340	2	Spacer			1600 mm Stretcher
43	100830	1	Bracket for bottle holder			Not illustrated
44	S8542201-014	1	Stretcher 1900 mm compl. Basic			Incl. end, side supports and drain. No mattress
45	S8551706-031	1	Stretcher 1900 mm compl. Concerto			Incl. end, side supports and drain. No mattress
46	S8551712-031	1	Stretcher 2250 mm compl.			Incl. end, side supports and drain. No mattress
47	S8551711-031	1	Stretcher 1600 mm compl.			Incl. end, side supports and drain. No mattress
48	8663983	2	Circlip Ø6x16x1			Introduced 1306000229, add on older products

C



D <i>Horizontal Adjustment (Concerto)/ Back Support</i>						
Pos	Art. No.	Qty	Description	From ser. No.	Up to ser. No.	Remarks
A	S8533569-04		Fixation plate complete, white			1900/2250 mm
	S8533569-031		Fixation plate complete, grey			1900/2250 mm
	S8533573-04		Fixation plate complete, white			1600 mm
	S8533573-031		Fixation plate complete, grey			1600 mm
1	100804 S8523856	1	Horizontal adjustment lever complete			1900/2250 mm 1600 mm
2	8352683	2	Mounting block			1900/2250 mm
3	8423139	1	Mounting block for spring			1600 mm
4	8454792	1	Mounting block			1600 mm
5	6240450	2	Cylindric pin			
6	6130825	2	Screw A4 MC6S ISO 4762 M8x25-80			1600 mm
7	6190087	2	Stop screw A4 MSK6SS ISO 4029 M8 x16-21H			1900/2250 mm
8	8352659	2	Excenter			
9	8321770	1	Lever			
10	8421810	1	Spring			
11	6307005	1	Handle			
12	8122976-04	1	Fixation plate, white 1600mm			
	8122976-031		Fixation plate, grey 1600mm			
13	8123949-04	1	Fixation plate, white 1900/2250mm			
	8123949-031		Fixation plate, grey 1900/2250mm			
14	6220320	1	Resilent pin			
15	8424125	1	Pressure spring			
16	8423966	1	Spacer			
17	8423972	1	Screw			
18	8423973	1	Pressure spring			
19	8324454	1	Sleeve			
20	8423967	1	Nipple			
21	8423971	1	Catch pin			
22	6319085	1	Circlip			
23	8423974	1	Pressure spring			
24	8408674	1	Locking pin			
25	6319026	1	Circlip A2 SGA DIN471			
26	6327027	1	End plug			
27	6301018	1	Buffer			
28	6100820	2	Screw A4 M6S ISO 4017 M8x20-80			
29	8411343	2	Bush			
30	8411342	2	Washer			
31	100806-03	1	Adjustable back support, grey			Complete
32	8323127	1	Clamp			
33	8223136-04	1	Handle,white			
	8223136-031		Handle,grey			
34	6150820	4	Screw A4 MF6S ISO 10642 M8x20–BUMAX88			
35	8423133-031	2	Fixation plate, grey			
36	6150816	2	Screw A4 MF6S ISO 10642 M8x16-80			
37	6150610	4	Screw A4 MF6S ISO 10642 M6x10–BUMAX88			
38	8223134-04	1	Back support, white			
	8223134-031		Back support, grey			
39	6150616	4	Screw A4 MF6S ISO 10642 M6x16–BUMAX88			
40	8423128	2	Sliding block			
41	8411097	4	Washer			
42	8451622	2	Catch, complete			With spring and bumper
43	8408735	4	Screw			

D

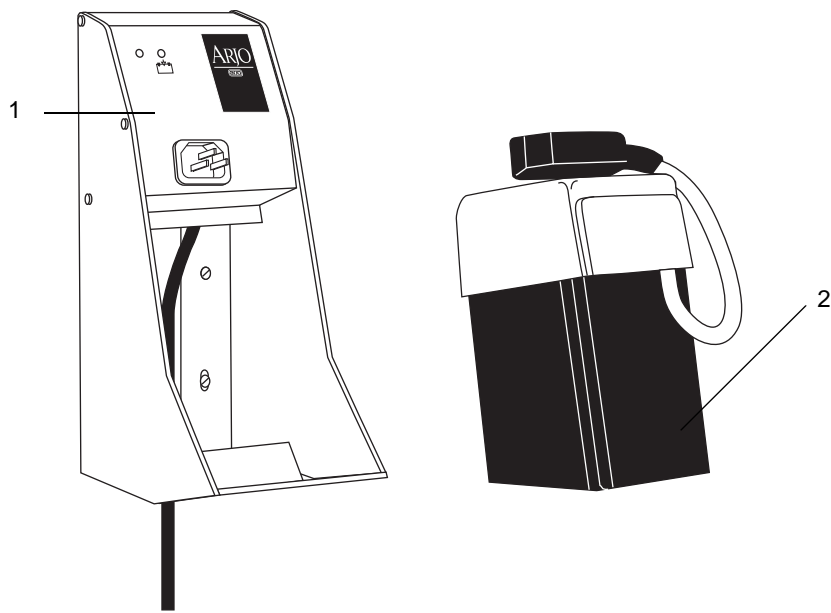


For 1900 mm

31

<i>E</i> <i>Battery Charger/Battery (Concerto)</i>						
Pos	Art. No.	Qty	Description	From ser. No.	Up to ser. No.	Remarks
1	NCA1000-EU NCA2000-GB NCA3000-CH NCA4000-US NCA6000-AU	1	Battery charger			
2	102193	1	Battery			

E



Basic

Preventive Maintenance Parts/Recommended Spares

Preventive Maintenance Parts	Part number	Number of Basic		Page
		1	5	
Catch kit	8546608	1	5	C:37
Castor kit	8546848	4	20	B1:24
Old castor up to 2000-07-01 (Rhombus)	6311031	4	20	B1:24

Recommended Spares	Part number	Number of Basic		Page
		1	5	
Bearing complete, grey	8536002-31	1	1	B1:46
Catch with spring and bumper	8451622	2	4	D:42
Drainage plug light blue, complete	8523863-014	1	1	C:4
End protection	8411517	4	8	C:39
Mattress, light blue	8131422-014	1	2	C:2
Pedal rubber	8321832	1	1	B2:36
Pillow, dark blue	8231551-013	1	2	C:1
Pump cover	8320746	1	1	B2:35
Pump insert kit	8531174	1	1	B2:8

Concerto

Preventive Maintenance Parts/Recommended Spares

Preventive Maintenance Parts	Part number	Number of Concerto		Page
		1	5	
Catch kit	8546608	1	5	C:37
Castor kit straight steering	8546849	2	10	A1:29, B1:25
Castor kit	8546848	2	10	A1:28, B1:24
Old castor up to 2000-07-01(Rhombus)	6311031	4	20	A1:28, B1:24

Recommended Spares	Part number	Number of Concerto		Page
		1	5	
Bearing complete, grey	8536002-31	1	1	A1:9, B1:46
Catch with spring and bumper	8451622	2	4	D:42
Cover, dark blue	8123945-013	2	4	A1:22, B1:17
Drainage plug light blue, complete	8523863-014	1	2	C:4
End protection	8411517	4	8	C:39
Mattress, light blue 1600 mm	8131431-014	1	2	C:2
Mattress, light blue 1900 mm	8131422-014			
Mattress, light blue 2250 mm	8131421-014			
Pillow, dark blue	8231551-013	1	2	C:1
Wedge pillow, light blue	100880-01	1	1	C:5
Hydraulic pump				
Pedal rubber	8321832	1	1	B2:36
Pump cover	8320746	1	1	B2:35
Pump insert kit	8531174	1	1	B2:8
Electric pump				
Battery	102193	1	2	E:2
Fuse T15AL 6,3x32mm	6379077	1	2	A2:43
Hand control	8560055	1	2	A1:34
PCB	8331275	1	1	A2:12

Concerto/Basic

Service Articles and Special Tools

Service Articles	Type	Quantity	Part number
Shell Cassida RLS2	Lubrication	400ml cartridge	6907792
Tellus oil 32*	Lubrication	1000ml	8546459
Loctite 243	Locking	10ml	6950607
Loctite 2701	Locking	5ml	6950609
Loctite 542	Thread sealant	10ml	6950613
Loctite 577	Locking	50ml	6950610
Plastic 70	Plastic spray	400ml	6950621
Touch-up paint	Grey	20ml	6951007-031
Touch-up paint old	White	20ml	6951007-04

*Hydraulic version only

Special Tools	Part number
Load Test Equipment	7x25 l barrels (not supplied by ArjoHuntleigh)
Test Rig for Electric Charger (Electric version)	8438422
Battery Condition Tester (Electric version)	8662950
Spare Part bulb for 8662950	S6311425
Spanner (Hydraulic version)	8354795
Circlip pliers (Hydraulic version)	6907176
Wrench for piston (Hydraulic version)	8535241

GETINGE GROUP

Getinge Group is a leading global provider of products and systems that contribute to quality enhancement and cost efficiency within healthcare and life sciences. We operate under the three brands of **ArjoHuntleigh**, **Getinge** and **Maquet**. **Getinge** provides solutions for infection control within healthcare and contamination prevention within life sciences. **Maquet** specializes in solutions, therapies and products for surgical interventions, interventional cardiology and intensive care.

ARJOHUNTLEIGH

GETINGE GROUP

ArjoHuntleigh focuses on patient handling and hygiene, disinfection, DVT prevention, medical beds, therapeutic surfaces and diagnostics.



ArjoHuntleigh AB
Hans Michelsensgatan 10
211 20 Malmö, Sweden

