



SECTION B: ASSIST DEVICES

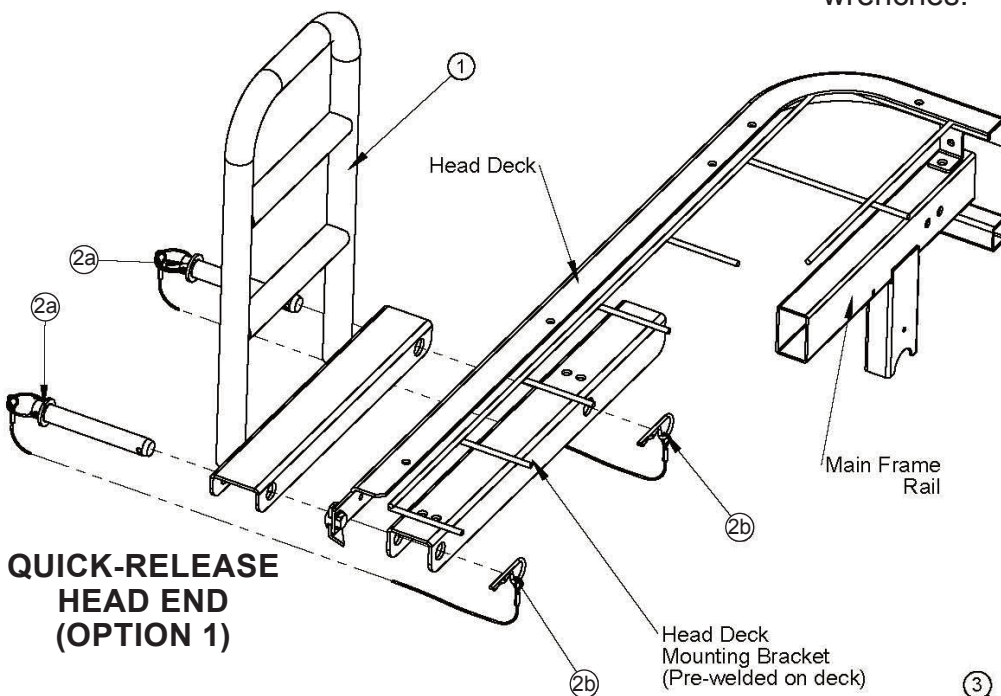
OPTIONAL ASSIST BAR INSTALLATION—HEAD END ONLY (KIT 95-80300: INCLUDES ONE ASSIST BAR AND HARDWARE)

Installation—Bracket

With the Assist Bar (#1) bracket facing inward toward the bed as shown below, align the two large bracket holes with the two head deck mounting bracket holes.

Installation—Quick-Release Head End Assist Bar (Option 1)

1. Insert the two Lanyard Assembly Clevis Pins (#2a) from the outside through the Assist Bar bracket and mounting bracket holes.

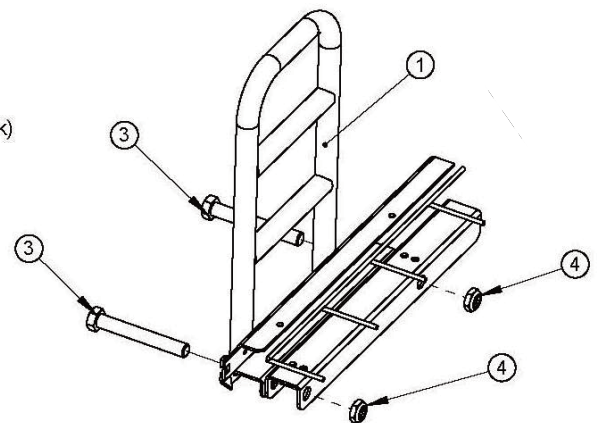


**QUICK-RELEASE
HEAD END
(OPTION 1)**

2. Insert the Hair Pins on the opposite end of the Lanyard Assemblies (#2b) into the small holes at the ends of the clevis pins.

Installation—Fixed Attachment Head End Assist Bar (Option 2)

1. Insert the two cap screws (#3) from the outside through the Assist Bar bracket and mounting bracket holes.
2. Secure screws by attaching two Thin Nylon Lock Nuts (#4) and tighten using two 13/16 wrenches.



**FIXED ATTACHMENT
HEAD END
(OPTION 2)**



WARNING: When assessing the Risk of Entrapment, consider the bed, mattress, headboard, footboard, assist devices (i.e. rails and assist bars) and other accessories as an entire system. All bed systems are evaluated for full compliance to the FDA/CDRH “Hospital Bed System Dimensional and Assessment Guidance to Reduce Entrapment” guidelines.