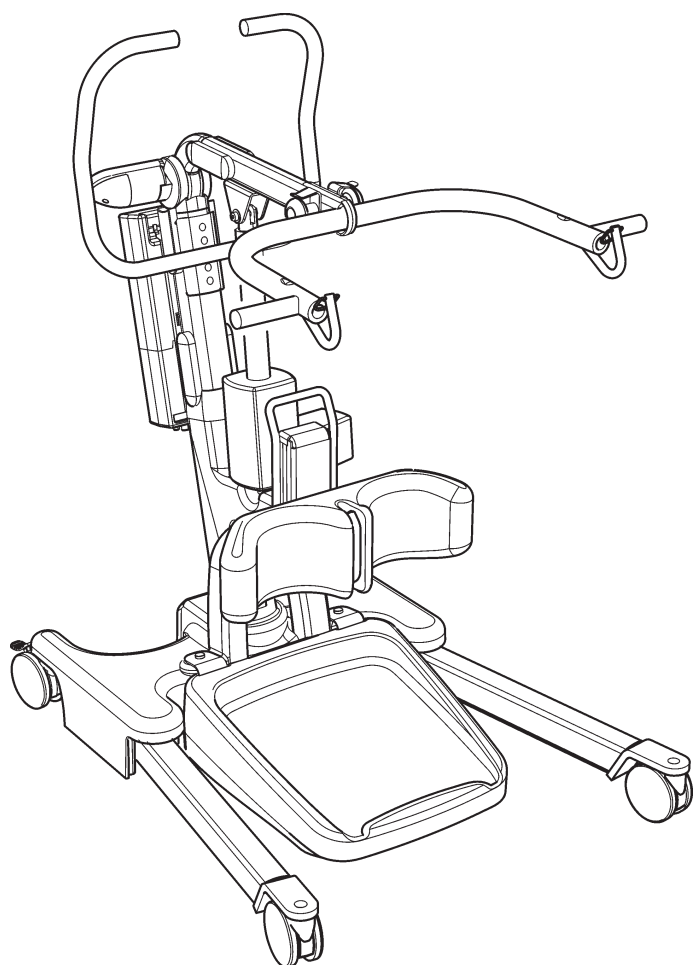


*Parts Manual*  
*Hoyer® Elevate*



NO	PART NUMBER	DESCRIPTION	QTY
1	0Y0066	100mm rear caster (braked)	2
2	0Y0263	Straight-line steering device	1
3	0Y0073	100mm front caster (non-braked) including tightening wrench (wrench not shown)	2
4	0Y0491	Mast extrusion (inc. labels)	1
5	0Y0307	Boom extrusion - cow horn style	1
	0Y0488	Boom extrusion - cow horn style ( <b>ELEVATE 3 MODEL</b> )	1
6	0Y0208	Push handle assembly (inc. bolts & fixings)	1
7	0Y0103	Cast boom to mast pivot joint (inc. connection bolts/fixings/spacers)	1
8	0Y0080	Base assembly (inc. labels, base casting and bottom plate, not internal parts)	1
9	0Y0209	Left leg extrusion (inc. fixings)	1
10	0Y0210	Right leg extrusion (inc. fixings)	1
11	39001320	Calibrated control box - Smart™ Monitor	1
	0Y0211	Control box - Standard	1
12	0Y0067	Battery pack	1
13	11015019	User handset (Smart™ Monitor only)	1
	0Y0075	User handset (Standard control box)	1
-	39001369	Actuator reset handset (Smart™ Monitor only) (not shown)	1
14	0Y0053	Charger and stand assembly (without charger lead)	1
15	0Y0114	Charger lead (US)	1
16	0Y0504	Actuator (including location pins, sleeves, washers, nuts, labels)	1
17	0Y0069	Battery and controller bracket (inc. fixings)	1
18	0Y0093	Leg actuator - 35mm stroke (inc. bolts and fixings)	1
19	0Y0126	Pivot caps	2
20	0Y0494	Fixings kit (all bolts, screws and fixings)	1
21	0Y0077	Mast to base electrical connection kit (inc. wires)	1
22	0Y0078	Foot push pad	1
23	0Y0112	Mast locking knob assembly (inc. plastic base insert)	1
24	0Y0495	Foot plate assembly (inc. cover)	1
25	0Y0496	Foot plate cover	1
26	0Y0129	Base to actuator electrical connection kit (inc. wires)	1
27	0Y0108	Boom to mast pivot plastic caps	2
28	0Y0076	Mast side caps (upper)	2
29	0Y0498	Knee pad adjustment mechanism	1
30	0Y0499	Knee pad assembly (inc. fixing bolts)	1
31	0Y0500	Leg strap	1
32	0Y0503	Mast side caps (lower)	2
33	0Y0501	Load cell assembly	1
34	0Y0497	Scale display and pivot casting kit	1
-	0Y0605	Wire assembly actuator (not shown)	1
-	0Y0492	Decal set (no serial number labels) (not shown)	1
-	0Y0070	Handset clip (not shown)	1
-	0Y0128	Caster tightening wrench (not shown)	1
-	0Y0502	Dummy load cell assembly (not shown)	1

