

# ARJOHUNTLEIGH

GETINGE GROUP

## SARA 3000 (standard)

Parts List



CE  
0086

© ArjoHuntleigh

ArjoHuntleigh products are patented or patent pending. Patent information is available by contacting ArjoHuntleigh.

The policy of ArjoHuntleigh is one of continuous development and we therefore reserve the right to make technical alterations without notice. The content of this publication may not be copied either whole or in part without the consent of ArjoHuntleigh.

This product has been manufactured for ArjoHuntleigh by:

ArjoHuntleigh AB  
Hans Michelsensgatan 10  
211 20 Malmö, Sweden

'SARA 3000', ArjoHuntleigh' and 'ARJO' are registered trademarks of GETINGE AB.  
The SARA 3000 is produced in Poland by ArjoHuntleigh AB for GETINGE AB and sold under the ArjoHuntleigh brand.

# Contents

	<b>SECTION</b>	<b>Page No.</b>
<b>A</b>	Chassis assembly .....	4-9
<b>B</b>	Mast assembly .....	10-17
<b>C</b>	Electrics.....	18-19
<b>D</b>	Final assembly.....	20-21

# A - Chassis

Item No	Part Number	Description	Qty.
<b>Items on page 6 Chassis</b>			
1	HMX334	Chassis	1
2	HMX272	M3x6 cylindrical screw	2
3	HMX131	Chassis leg bearing	4
4	HMX389	M8x20 allen bolt countersunk head	1
5	HMX565	M8x16 allen bolt round head	2
6	HMX699	Distance bush bearing	2
7	HMX128	M8x40 allen bolt	2
8	HMX291	Bush chassis opening mechanism	2
9	HMX216	M8 locknut	2
10	HMX349	M4.8x19 screw round head	2
11	HMX484	Cover plate chassis	2
12	HMX345	4.8 mm speednut	2
13	HMX140	M12x35 allen bolt countersunk head	2
14	HMX550	M12 locknut	2
15	TGGE.311	Castor D125 braked	2
16	HMX275	Anti-skid cover	2
17	HMX569	Trespa footplate	1
<b>Items on page 7 Chassis leg</b>			
1	HMX333	Chassis leg	2
2	HMX336-1	Bearing pin	2
3	TGE.310	Castor D75 unbraked	2
4	HMX275	Anti-skid cover	2
5	HMX127	M10x20 allen bolt with flange round head	4
6	HMX69	M10x35 allen bolt countersunk head	2
7	HMX200	M10 locknut	2
<b>Items on page 8 Knee support</b>			
1	HMX109	Support plate	1
2	HMX107	Silence block	2
3	HMX347	M8x12 allen bolt	2
4	HMX931	Knee support	2
5	HMX218	M4x8 cylindrical screw	4
6	HMX433	M6x25 washer	1
7	HMX556	M6x12 cylindrical screw	1
8	HMX124	M16x20 hex. bolt	2
9	HMX522	Belt + 2 metal locks	1
10	See item 9	Belt + 2 metal locks	/
11	See item 9	Belt + 2 metal locks	/

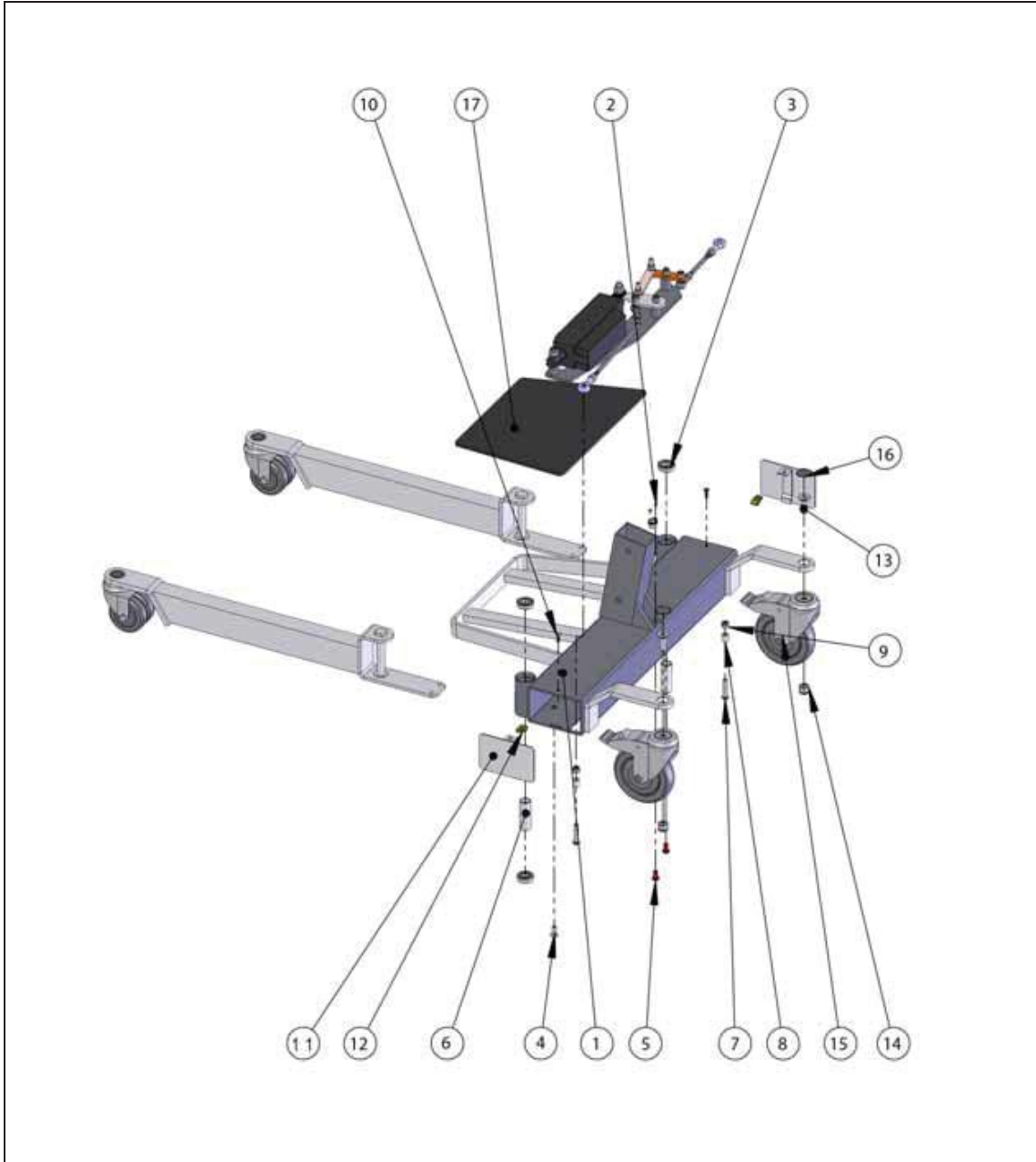
# A - Chassis

Item No	Part Number	Description	Qty.
	<b>Items on page 9</b>	<b>Electronically powered chassis</b>	
1	HMX872	Base plate	1
2	HMX119	M8x30 ball joint cw thread	2
3	HMX216	M8 locknut	6
4	HMX292	Turning disc (connecting part)	1
5	HMX290	Strip (connecting part)	1
6	HMX287	Movement strip (connecting part)	1
7	HMX1301	HEX Head Set Screw M8 x 25	2
8	HMX412	M8.1x14x1 nylon ring thin	10
9	HMX1302	HEX Head Set Screw M10 x 37	1
10	HMX200	M10 locknut	2
11	HMX193	M10 nylon ring	3
12	HMX288	Tie bar el.pow. chassis - bent	1
13	HMX266	Tie bar el. pow. chassis - straight	1
14	HMX214	M8 nut	4
15	HMX439	M8x36 spherical rod end	2
16	HMX44	Actuator (see electrics)	1



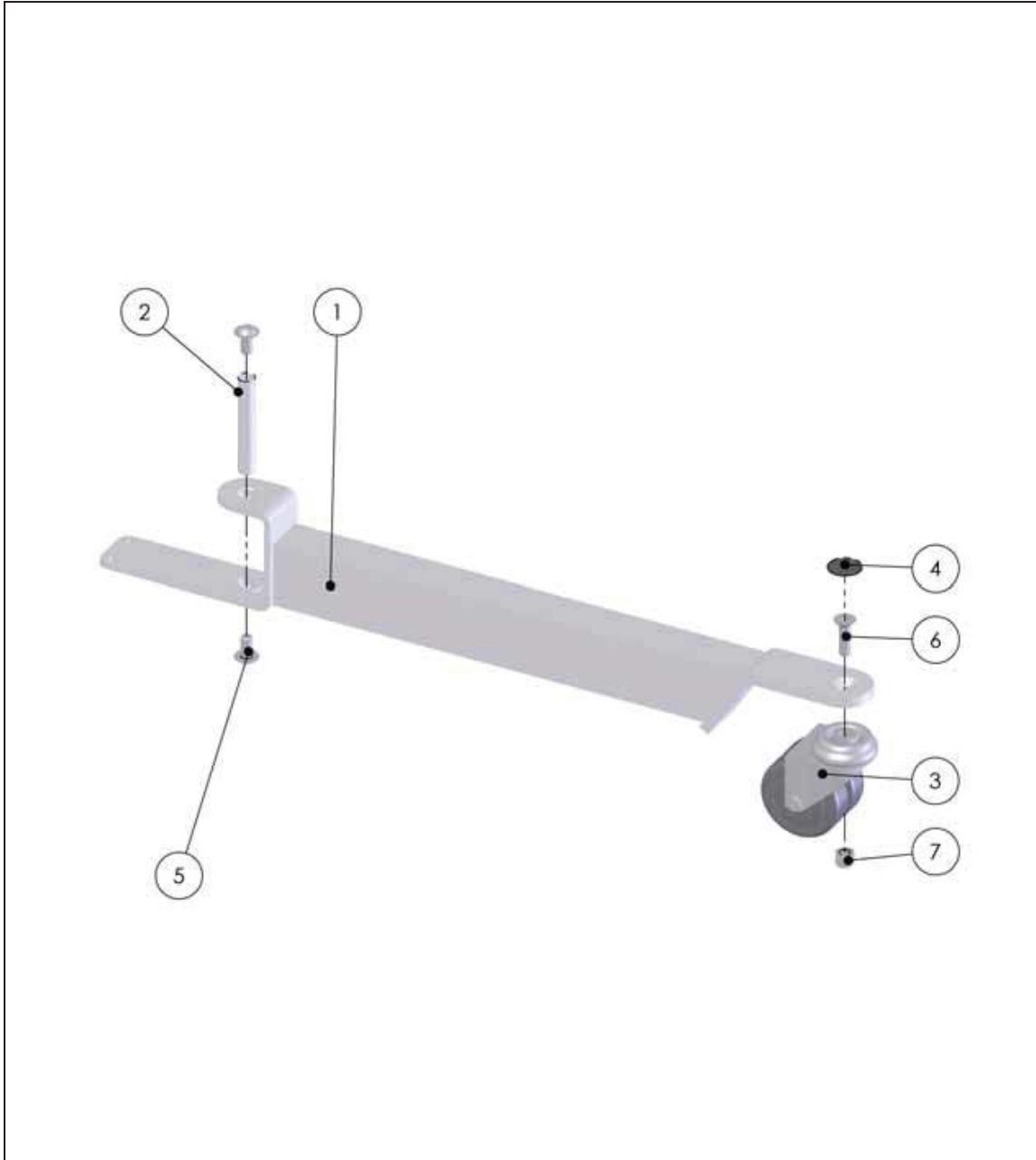
# A - Chassis

## Chassis



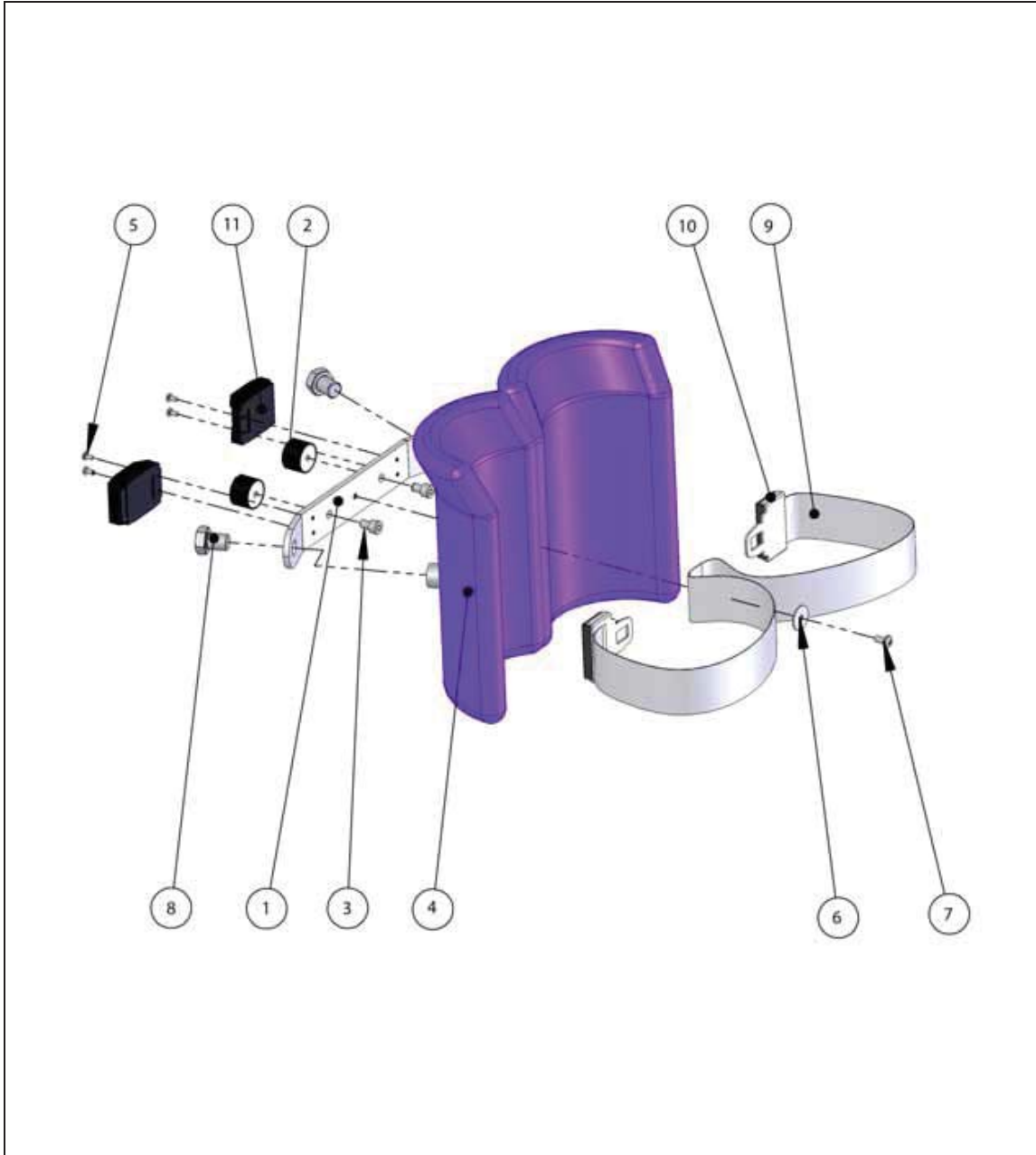
# A - Chassis

Leg



# A - Chassis

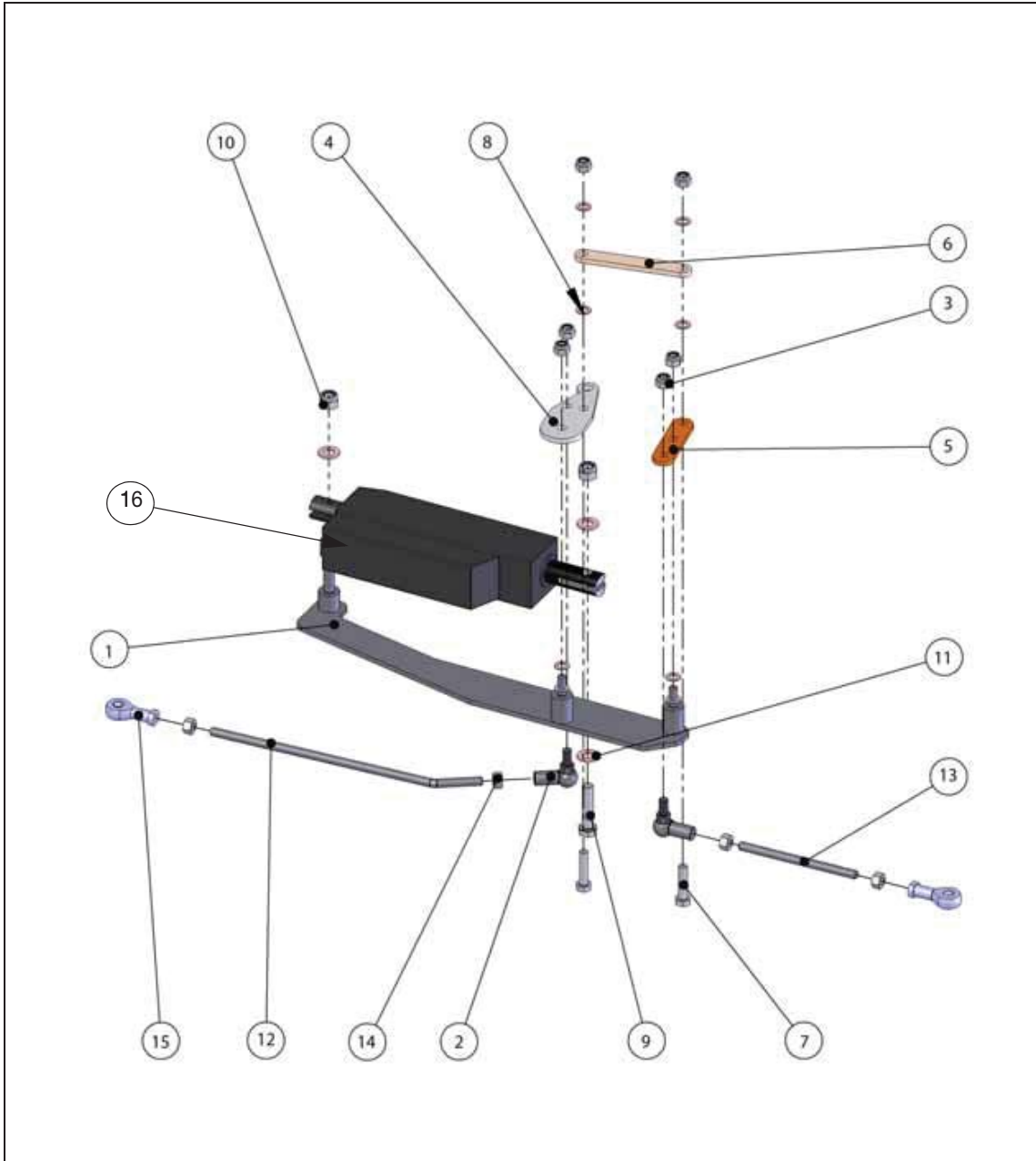
Knee support





# A - Chassis

Electronically powered chassis



# B - Mast

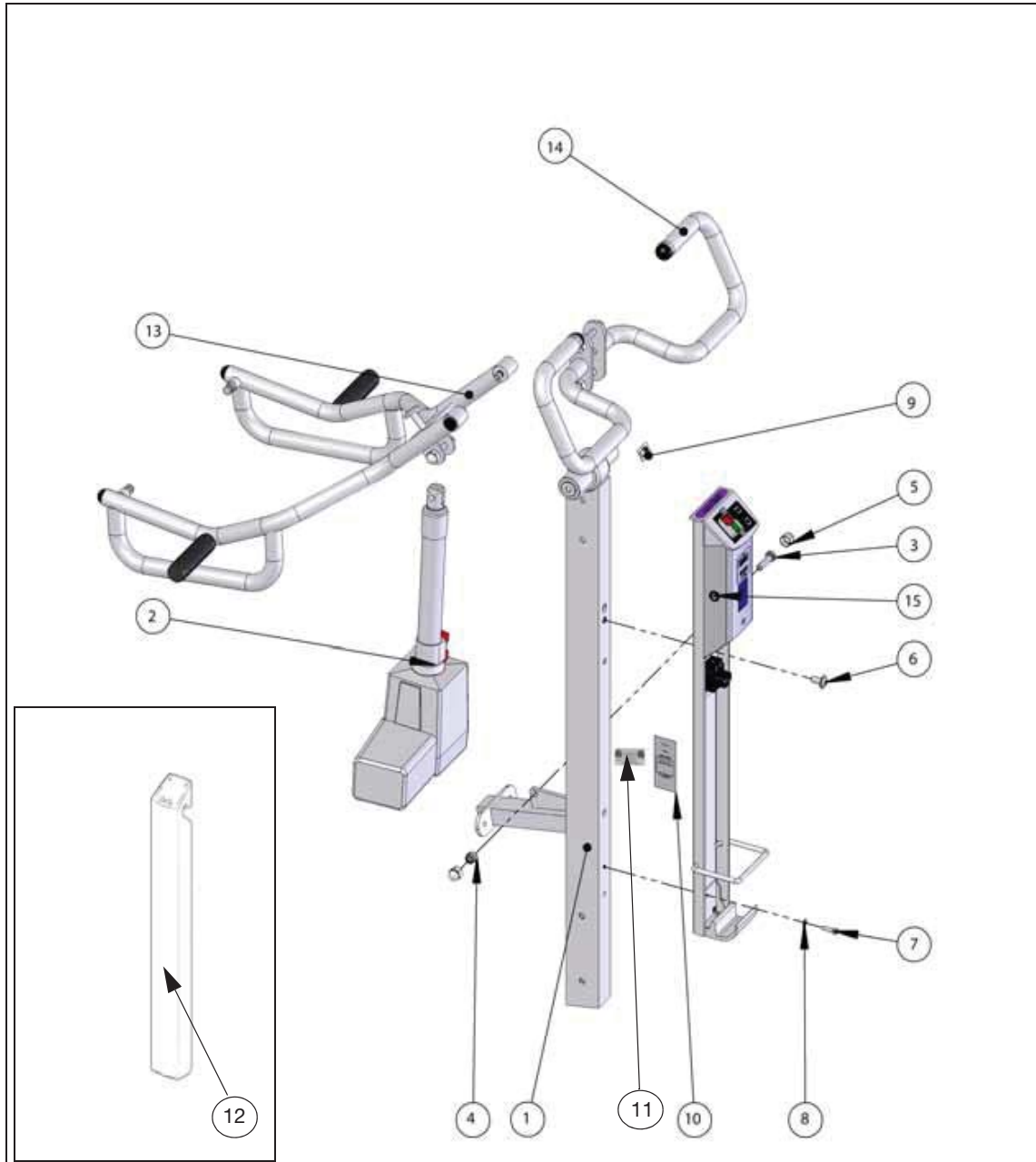
Item No	Part Number	Description	Qty.
<b>Items on page 12 Mast</b>			
1	HMX451	Mast	1
2	HMX555	Actuator 230 mm (See electrics)	1
3	HMX1303	HEX Head Set Screw M10 x 44	1
4	HMX200	M10 locknut	4
5	HMX916	Cover cap D17 grey	2
6	HMX127	M10x20 allen bolt with flange round head	4
7	HMX564	M6x20 allen bolt	1
8	HMX1055	M6 washer	1
9	TMO.316	Booklet - read manual	1
10	TMO.317	Sticker Serial number	1
11	TMO.324	Sticker (only for US and Canada)	1
12	HMX991	Battery	1
13	/	See assembly lifting arm	/
14	/	See assembly push bar	/
15	/	See assembly electronics holder	/
<b>Items on page 13 Push bar</b>			
1	HMX878	Push bar left	1
2	HMX877	Push bar right	1
3	HMX232	Cap D28 black	2
4	HMX200	M10 locknut	2
5	HMX916	Cap D17 grey	4
6	HMX923	M10x65 hex. bolt	2
<b>Items on page 14 Lifting arm</b>			
1	HMX65	Lifting arm standard	1
or	HMX659	Lifting arm w/o horizontal grips	1
2	HMX570	Handgrip anti-skid	2
3	HMX185	Cap D22 flat black	2
4	HMX916	Cap D17 grey	2
5	HMX200	M10 locknut	1
6	HMX320	Lock washer	1
7	HMX1305	HEX Head Set Screw M10 x 55	1
8	HMX605	M10x12x12 allen bolt	2
9	HMX868	Cap D25 black	2

# B - Mast

Item No	Part Number	Description	Qty.
<b>Items on page 15 Backplate</b>			
1	HMX98	Backplate	1
2	HMX972	Lower plastic cap	1
3	HMX961	Upper plastic cap	1
4	HMX247	M5 Washer	5
5	HMX496	Poprivet 4.8x12	5
<b>Items on page 16 Console</b>			
1	/	See assembly electronics holder	/
2	/	See assembly electronics holder	/
3	HMX978	Dual control switch	1
4	HMX979	Bezel	1
5	HMX998	Switch H/L	1
6	TMO.323	Sticker green / red arrow	1
7	HMX824	Plastic pin plug	1
8	HMX332	Nylon washer 4.3x18x2	2
9	HMX420	M4x10 cylindrical screw	2
10	HMX975	PCB (See electrics)	1
11	HMX922	M3x20 cylindrical screw	2
12	TMO.330	Sticker Sara 3000	1
13	TMO.331	Label voltage	1
<b>Items on page 17 Plastic cap (electronics holder)</b>			
1	HMX974	Battery lifetime indication	1
2	HMX973	Plastic cap electronics	1
3	LABARJ	Label ARJO	1
4	HMX925	M2.5x16 cylindrical screw countersunk head	2
5	HMX1054	Distance bush 3.1x6x4	2
6	HMX875	M2.5 washer	2
7	HMX873	M2.5 nut	2
8	HMX981	Protection strip battery	1
9	HMX913	Label hours run	1

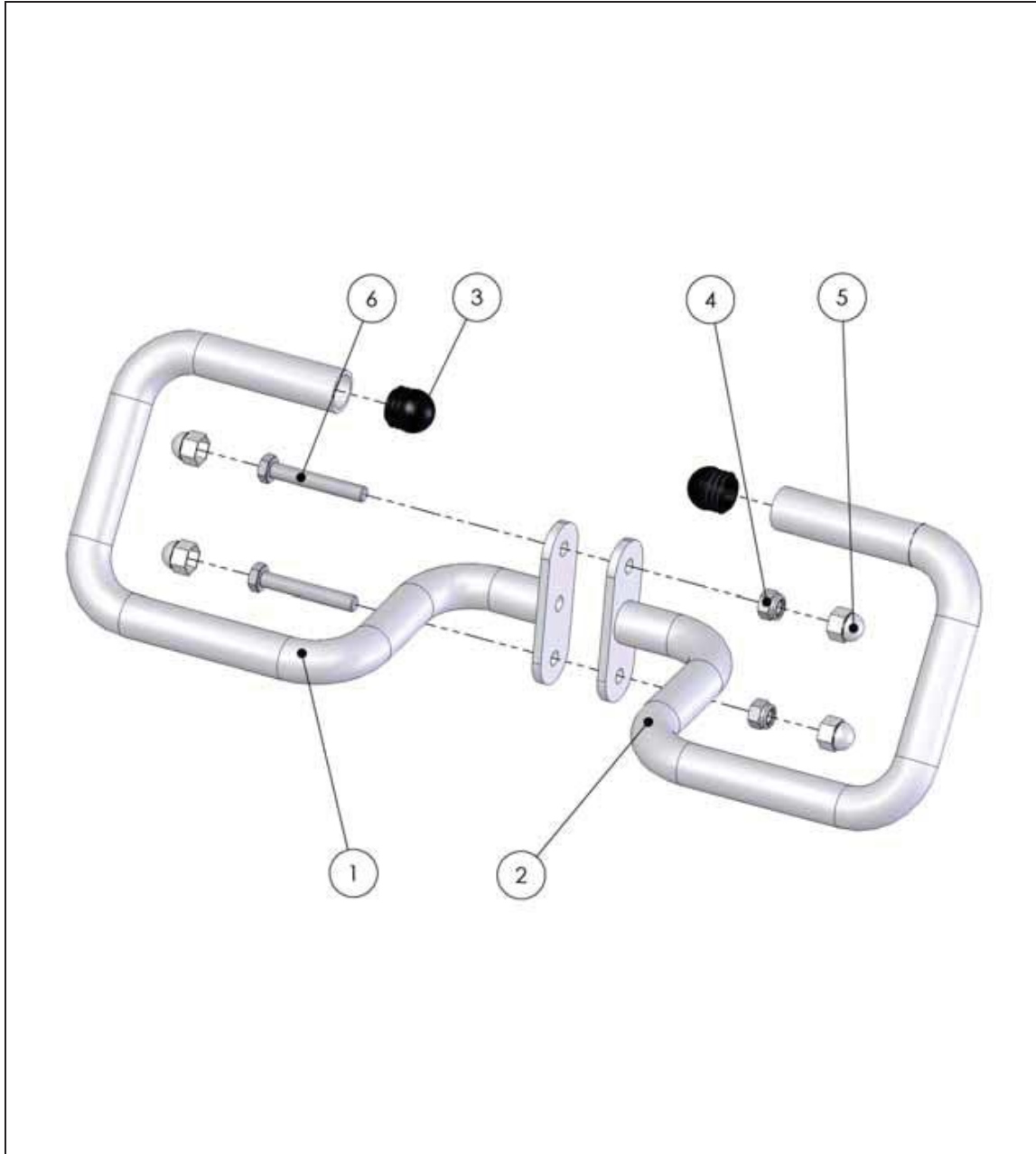
# B - Mast

## Mast



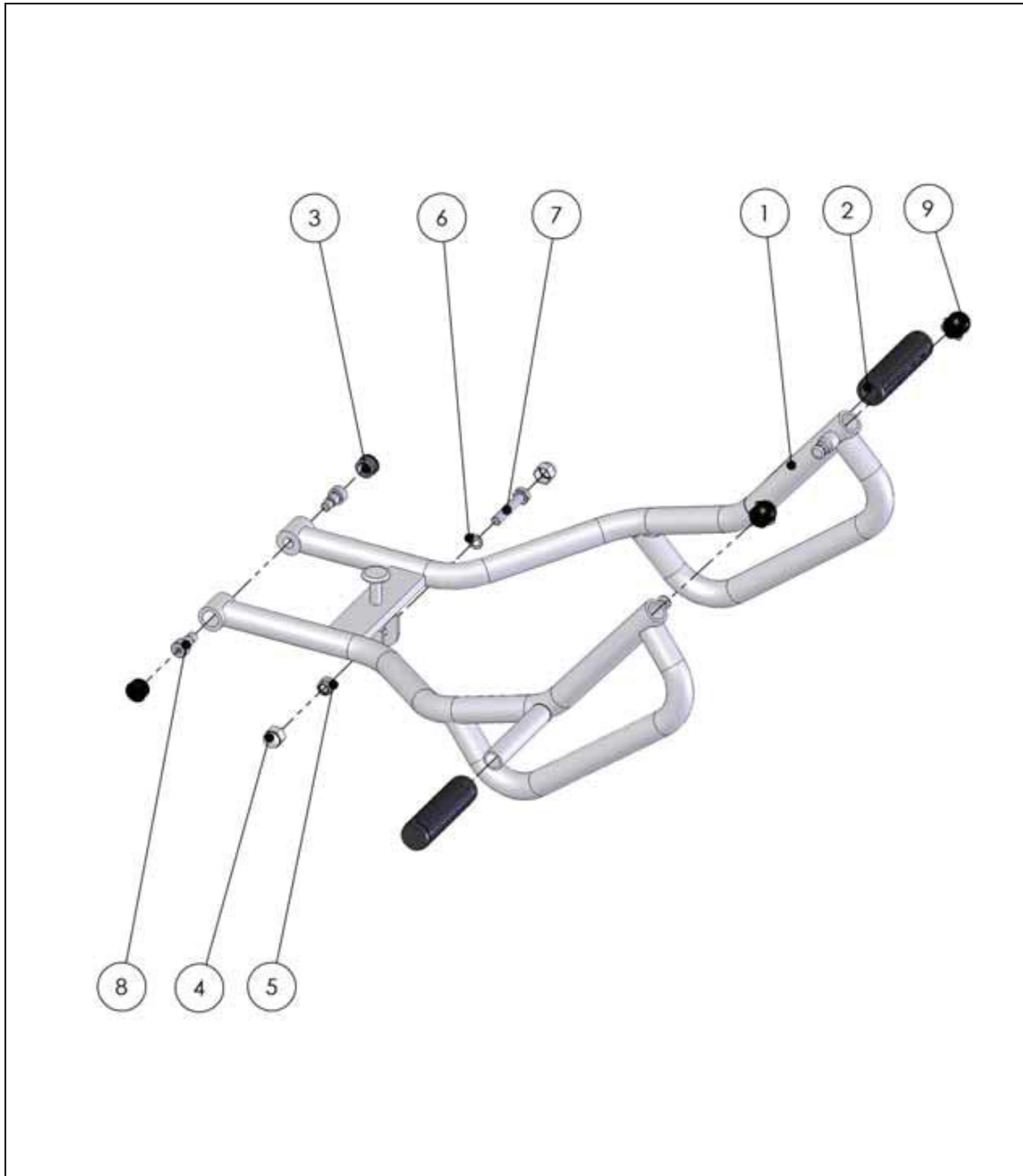
# B - Mast

Push bar



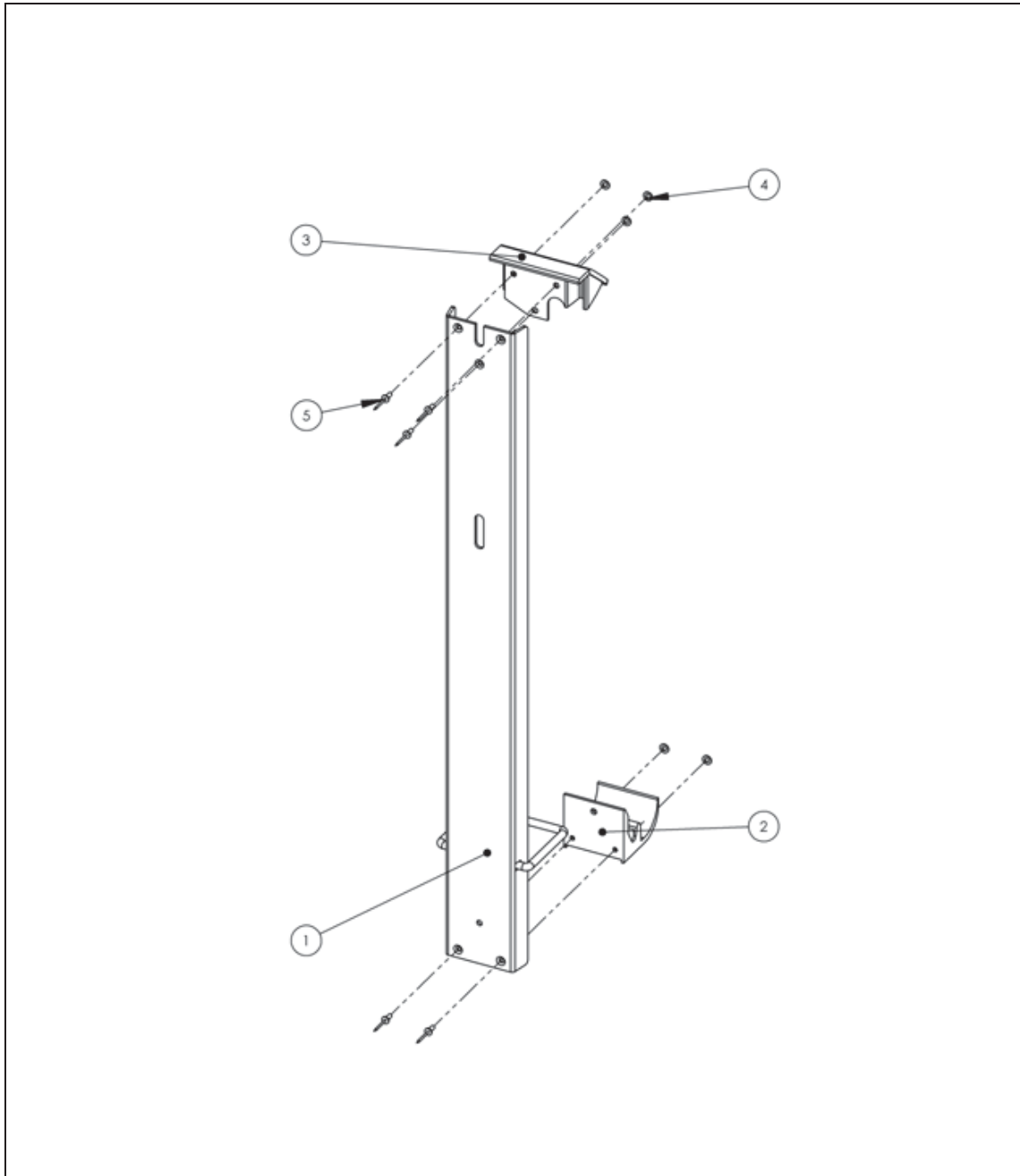
# B - Mast

Lifting arm



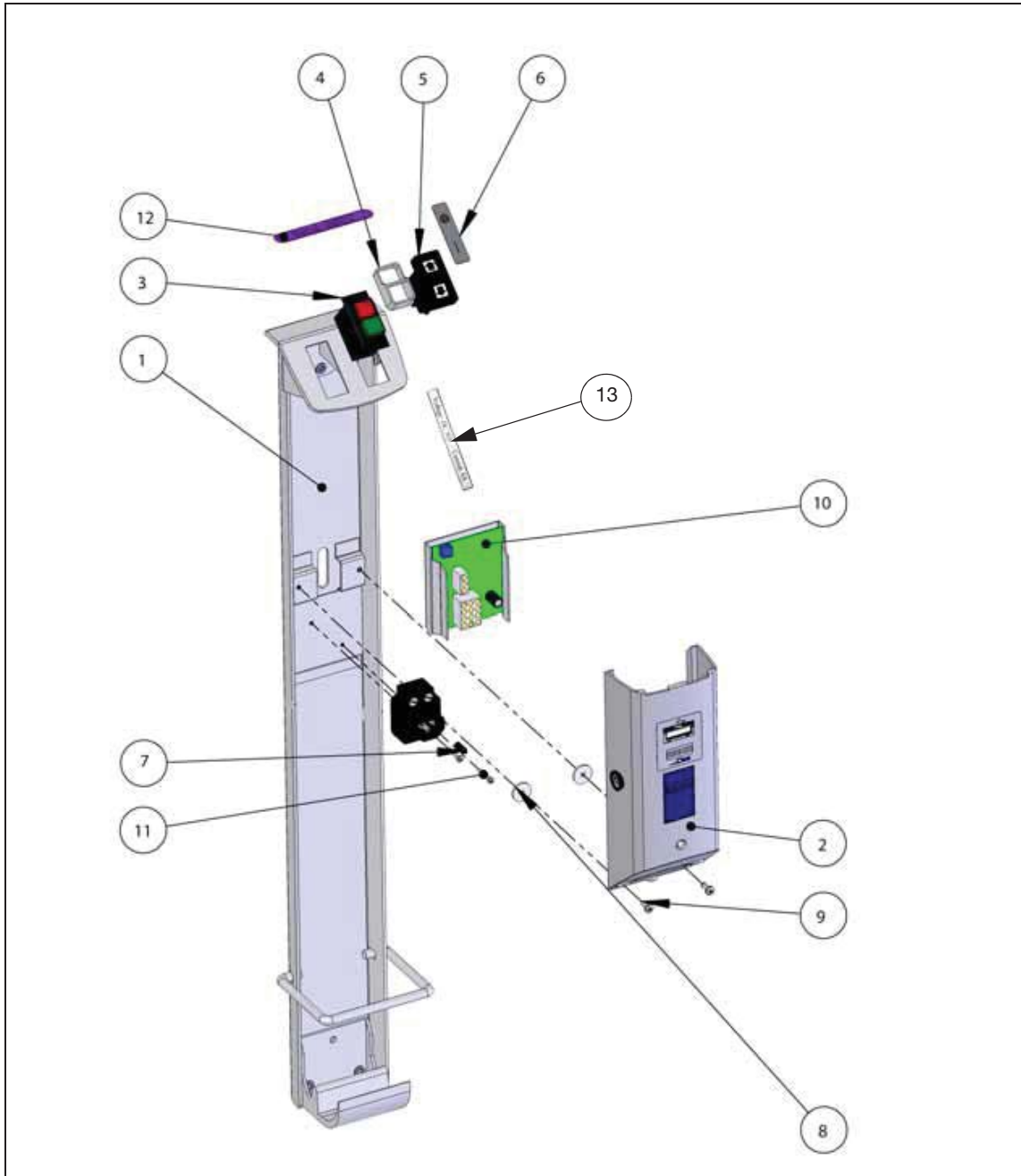
# B - Mast

## Backplate



# B - Mast

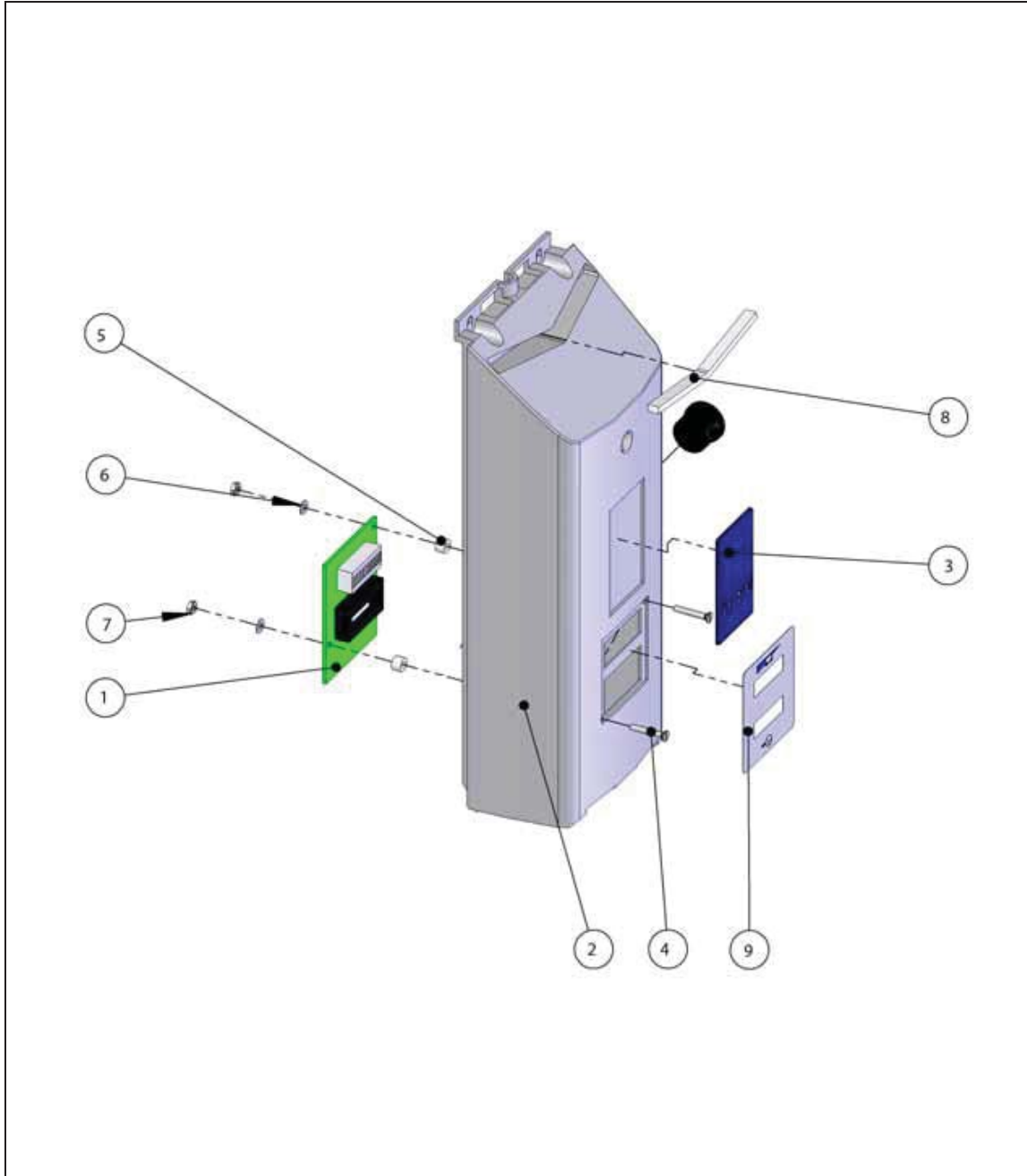
## Console





# B - Mast

## Electronics holder



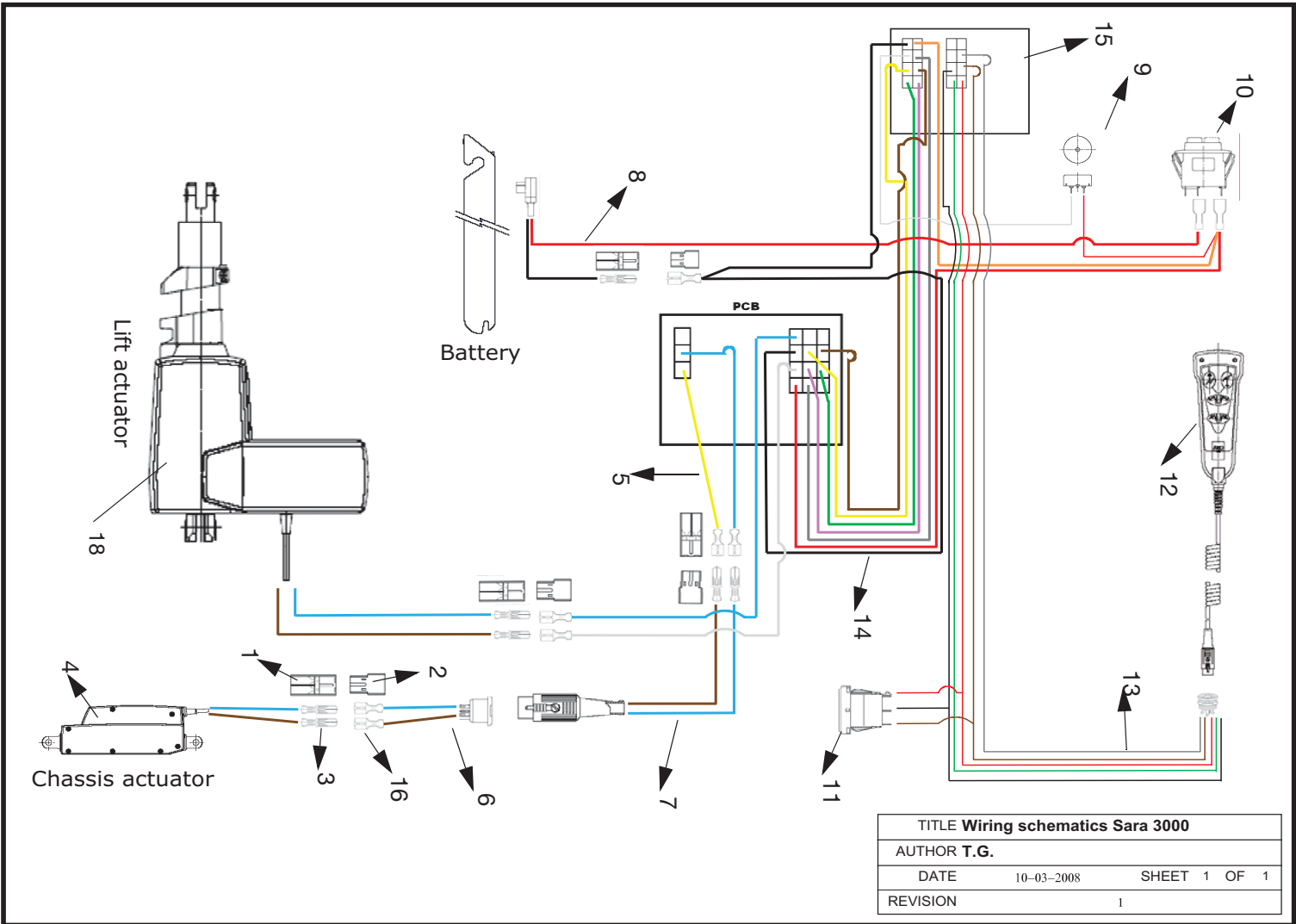
# C - Electrics

Item No	Part Number	Description	Qty.
	<b>Items on page 19</b>	<b>Electrics</b>	
1	HMX141	AMP plug female	3
2	HMX144	AMP plug male	3
3	HMX586	AMP plug male	4
4	HMX44	Chassis actuator	1
5	HMX1062	Cable assembly blue/yellow wire plug	1
6	HMX1098	Cable assembly chassis	1
7	HMX1099	Cable assembly	1
8	HMX1061	Cable assembly with hooked plug	1
9	HMX976	Buzzer	1
10	HMX978	Emergency stop	1
11	HMX998	Switch H/L	1
12	HMX977	Handset	1
13	HMX1063	Cable assy din chassis part	1
14	HMX1060	Cable assy IEC Bulgin plug	1
15	HMX975	PCB	1
16	HMX596	AMP plug female	2
17	HMX555	Actuator	1



# C - Electrics

## Wiring schematics



## D - Final assembly Sara 3000

Item No	Part Number	Description	Qty.
	<b>Items on page 21</b>	<b>Final assembly</b>	
1	/	See chassis assembly	/
2	/	See mast assembly	/
3	HMX94	Plastic foot support	1
4	HMX185	Cap D22 flat	2
5	/	See knee support	/
6	HMX347	M8x12 allen bolt	2
7	HMX127	M10x20 allen bolt with flange	3



# D - Final assembly Sara 3000

Final assembly





AUSTRALIA

ArjoHuntleigh Pty Ltd  
78, Forsyth Street  
O'Connor  
AU-6163 Western Australia  
Tel: +61 89337 4111  
Free: +1 800 072 040  
Fax: +61 89337 9077

BELGIQUE / BELGIË

ArjoHuntleigh NV/SA  
Evenbroekveld 16  
BE-9420 ERPE-MERE  
Tél/Tel: +32 (0) 53 60 73 80  
Fax: +32 (0) 53 60 73 81  
E-mail: info@arjohuntleigh.be

BRASIL

Maquet do Brasil  
Equipamentos Médicos Ltda  
Rua Tenente Alberto Spicciati, 200  
Barra Funda, 01140-130  
SÃO PAULO, SP - BRASIL  
Fone: +55 (11) 2608-7400  
Fax: +55 (11) 2608-7410

CANADA

ArjoHuntleigh  
90 Matheson Boulevard West  
Suite 300  
CA-MISSISSAUGA, ON, L5R 3R3  
Tel/Tél: +1 905 238 7880  
Free: +1 800 665 4831 Institutional  
Free: +1 800 868 0441 Home Care  
Fax: +1 905 238 7881  
E-mail: info.canada@arjohuntleigh.com

ČESKÁ REPUBLIKA

ArjoHuntleigh s.r.o.  
Hlinky 118  
CZ-603 00 BRNO  
Tel: +420 549 254 252  
Fax: +420 541 213 550

DANMARK

ArjoHuntleigh A/S  
Vassingerødvej 52  
DK-3540 LYNGE  
Tel: +45 49 13 84 86  
Fax: +45 49 13 84 87  
E-mail:  
dk\_kundeservice@arjohuntleigh.com

DEUTSCHLAND

ArjoHuntleigh GmbH  
Peter-Sander-Strasse 10  
DE-55252 MAINZ-KASTEL  
Tel: +49 (0) 6134 186 0  
Fax: +49 (0) 6134 186 160  
E-mail: info-de@arjohuntleigh.com

ESPAÑA

ArjoHuntleigh Ibérica S.L.  
Ctra. de Rubí, 88 1ª planta - A1  
08173 Sant Cugat del Vallés  
ES- BARCELONA 08173  
Tel: +34 93 583 11 20  
Fax: +34 93 583 11 22  
E-mail: info.es@arjohuntleigh.com

FRANCE

ArjoHuntleigh SAS  
2 Avenue Alcide de Gasperi  
CS 70133  
FR-59436 RONCQ CEDEX  
Tél: +33 (0) 3 20 28 13 13  
Fax: +33 (0) 3 20 28 13 14  
E-mail: info.france@arjohuntleigh.com

HONG KONG

ArjoHuntleigh (Hong Kong) Ltd  
1510-17, 15/F, Tower 2  
Kowloon Commerce Centre  
51 Kwai Cheong Road  
Kwai Chung  
HONG KONG  
Tel: +852 2207 6363  
Fax: +852 2207 6368

INTERNATIONAL

ArjoHuntleigh International Ltd  
ArjoHuntleigh House  
Houghton Hall Park  
Houghton Regis  
UK-DUNSTABLE LU5 5XF  
Tel: +44 (0) 1582 745 800  
Fax: +44 (0) 1582 745 866  
E-mail:  
international@arjohuntleigh.com

ITALIA

ArjoHuntleigh S.p.A.  
Via di Tor Vergata 432  
IT-00133 ROMA  
Tel: +39 (0) 6 87426211  
Fax: +39 (0) 6 87426222  
E-mail: Italy.promo@arjohuntleigh.com

NEDERLAND

ArjoHuntleigh Nederland BV  
Biezenwei 21  
4004 MB TIEL  
Postbus 6116  
4000 HC TIEL  
Tel: +31 (0) 344 64 08 00  
Fax: +31 (0) 344 64 08 85  
E-mail: info.nl@arjohuntleigh.com

NEW ZEALAND

ArjoHuntleigh Ltd  
41 Vestey Drive  
Mount Wellington  
NZ-AUCKLAND 1060  
Tel: +64 (0) 9 573 5344  
Free Call: 0800 000 151  
Fax: +64 (0) 9 573 5384  
E-mail: nz.info@ArjoHuntleigh.com

NORGE

ArjoHuntleigh Norway AS  
Olaf Helsets vei 5  
N-0694 OSLO  
Tel: +47 22 08 00 50  
Faks: +47 22 08 00 51  
E-mail:  
no.kundeservice@arjohuntleigh.com

ÖSTERREICH

ArjoHuntleigh GmbH  
Dörrstrasse 85  
AT-6020 INNSBRUCK  
Tel: +43 (0) 512 204 160 0  
Fax: +43 (0) 512 204 160 75

POLSKA

ArjoHuntleigh Polska Sp. z o.o.  
ul. Ks Piotra Wawrzyniaka 2  
PL-62-052 KOMORNIKI (Poznan)  
Tel: +48 61 662 15 50  
Fax: +48 61 662 15 90  
E-mail: arjo@arjohuntleigh.com

PORTUGAL

ArjoHuntleigh em Portugal  
MAQUET Portugal, Lda. (Distribudor Exclusivo)  
Rua Poeta Bocage n.º 2 - 2G  
PT-1600-233 Lisboa  
Tel: +351 214 189 815  
Fax: +351 214 177 413  
E-mail: Portugal@arjohuntleigh.com

SUISSE / SCHWEIZ

ArjoHuntleigh AG  
Fabrikstrasse 8  
Postfach  
CH-4614 HÄGENDORF  
Tél/Tel: +41 (0) 61 337 97 77  
Fax: +41 (0) 61 311 97 42

SUOMI

Oy Vestek AB  
Martinkuja 4  
FI-02270 ESPOO  
Puh: +358 9 8870 120  
E-mail: info@vestek.fi

SVERIGE

ARJO Scandinavia AB  
Hans Michelsensgatan 10  
SE-211 20 MALMÖ  
Tel: +46 (0) 10 494 7760  
Fax: +46 (0) 10 494 7761  
E-mail: kundservice@arjohuntleigh.com

UNITED KINGDOM

ArjoHuntleigh UK  
ArjoHuntleigh House  
Houghton Hall Park  
Houghton Regis  
UK-DUNSTABLE LU5 5XF  
Tel: +44 (0) 1582 745 700  
Fax: +44 (0) 1582 745 745  
E-mail: sales.admin@arjohuntleigh.com

USA

ArjoHuntleigh Inc.  
2349 W Lake Street Suite 250  
US-Addison, IL 60101  
Tel: +1 630 307 2756  
Free: +1 800 323 1245 Institutional  
Free: +1 800 868 0441 Home Care  
Fax: +1 630 307 6195  
E-mail: us.info@arjohuntleigh.com

REV 14: 07/2014

# ARJOHUNTLEIGH

GETINGE GROUP

[www.arjohuntleigh.com](http://www.arjohuntleigh.com)



ArjoHuntleigh AB  
Hans Michelsensgatan 10  
211 20 Malmö, Sweden

**GETINGE GROUP** is a leading global provider of products and systems that contribute to quality enhancement and cost efficiency within healthcare and life sciences. We operate under the three brands of **ArjoHuntleigh**, **GETINGE** and **MAQUET**. **ArjoHuntleigh** focuses on patient mobility and wound management solutions. **GETINGE** provides solutions for infection control within healthcare and contamination prevention within life sciences. **MAQUET** specializes in solutions, therapies and products for surgical interventions and intensive care.