

***Invacare Bed Rails***



***www.mpsource.com***

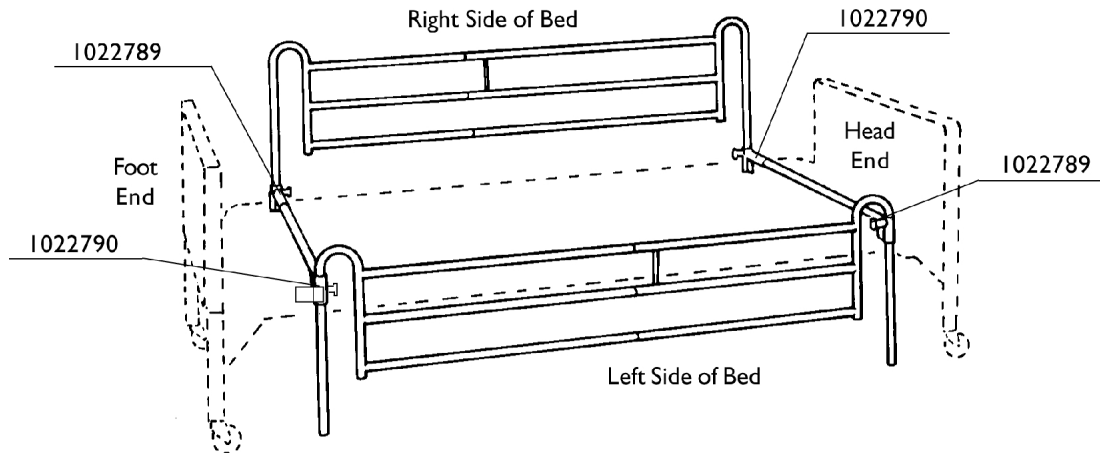


# TABLE of CONTENTS

<b>Description</b>	<b>Page Number</b>
Bariatric Bed Rails - BAR6640IVC .....	30
Bed Rail Explanation Chart .....	4
Crossbrace Assembly - 6626Y2 .....	11
Deluxe Quick Clip-On Bed Rail - 6658 .....	33
Deluxe Spring Loaded Bed Rails - 6628 & 6628-TSS .....	17
Deluxe Telescoping Bed Rail & Crossbrace Assembly - 6625/6625L .....	12
Economy Bed Rail - 6640 .....	29
Economy Telescoping Bed Rail - 6650 .....	31
Half Length Assist Rail - 6632 .....	27
Half Length Bed Rails - 6630 .....	21
Half Length Bed Rails, Clamp-On - 6630DS .....	23
Packaging - Literature & Decals .....	6
Parts Catalog Usage Guide .....	3
Standard Quick Clip-On Bed Rails - 6627 .....	15
Standard Spring Loaded Bed Rails - 6629 .....	19
Standard Telescope Bed Rails - 6623 .....	9
Telescoping Home Bed Rail - 6631 .....	25

## Parts Catalog Usage Guide

See illustration to determine right side from left side when choosing parts for rails or crossbrace assemblies.



**NOTE:** To determine which crossbrace assembly, channel with barrel, or barrel only, to order, we have listed them as (1022789) Left Head End / Right Foot End or (1022790) Right Head End / Left Foot End. When the barrels are used on the opposite side of the bed, the parts are reversed.

## Bed Rail Explanation Chart

### Standard Telescoping

Model Number	Tubing Size	Assembly or Channel Style	Length	Bed Type
6623 NLA (Discontinued 1/03)	7/8"	Clamp with Wing Nut	47-74"	Homecare Extended Care
6627 NLA (Discontinued 2/96)	7/8"	Quick Clip-On	47-74"	Homecare Extended Care
6629	7/8"	Self-Adjusting Spring-Loaded	55"	Homecare Extended Care

### Deluxe Telescoping

Model Number	Tubing Size	Assembly or Channel Style	Length	Bed Type
6625 NLA (Discontinued 2/03)	1"	Clamp with Wing Nut	47-74"	Homecare Extended Care
6628	1"	Self-Adjusting Spring-Loaded	56"	Homecare Extended Care
6628TSS	1"	Self-Adjusting Spring-Loaded	56"	Homecare Extended Care with TSS Mattress
6631	7/8"	Round Tube Fits Between Mattress and Box Spring	37.5-56.5"	Conventional Home Single and Double Beds (36"-69" Wide)
6658 NLA (Discontinued 10/95)	1"	Quick Clip-On	47-74"	Homecare Extended Care

### Half Rail

Model Number	Tubing Size	Assembly or Channel Style	Length	Bed Type
6630	1"	Dual Flat Channel with Wing Nut Clamp Assembly	32"	Homecare Extended Care 2 sets per bed Recommended

# Bed Rail Explanation Chart

## Economy Half Rail

Model Number	Tubing Size	Assembly or Channel Style	Length	Bed Type
6640	1"	Single Flat Crossbrace with Bolt-on Clamp Assembly	28.75"	Homecare Extended Care 2 sets per bed Recommended or Bariatric

## Crossbraces Only

Model Number	Tubing Size	Assembly or Channel Style	Length	Bed Type
6625L NLA (Discontinued 9/94)	1"	Clamp with Wing Nut	47-74"	Homecare Extended Care
6626Y2 NLA (Discontinued 10/00)	1"	Round Tube Fits	39-69"	Conventional Home Single and Dbl Beds 36 -69" Wide

## Economy Telescoping

Model Number	Tubing Size	Assembly or Channel Style	Length	Bed Type
6650	7/8"	Self-Adjusting Spring-Loaded	55"	Homecare/ Extended Care

## Packaging, Literature & Decals

### Standard Telescoping

Model Number	Carton	Insert	Literature
6623 NLA	40131X030-NLA	1007909 See Note(s) B	1013307-NLA
		1016042-NLA See Note(s) A	
6627 NLA	40131X030-NLA	1007909 See Note(s) B	1023492-NLA
		1016042-NLA See Note(s) A	
6629	40131X030-NLA	1007909 See Note(s) B	1049390-NLA
		1016042 See Note(s) A	

NOTE: A - Quantity - 1 each.  
B - Quantity - 2 each

Note: When adjusting or replacing parts, please refer to your Owner's Manual for assistance.

### Deluxe Telescoping

Model Number	Carton	Insert	Literature
6625 NLA	40131X030-NLA	1007909 See Note(s) B	1016404-NLA
		1016042-NLA See Note(s) A	
6628	40131X030-NLA See Note(s) E	1007909 See Note(s) B	00077X079-NLA
		1016042-NLA See Note(s) A	
6628-TSS	40131X030-NLA See Note(s) E	1007909 See Note(s) B	00077X079-NLA
		1016042-NLA See Note(s) A	
6631	40131X030-NLA See Note(s) C	1007909 See Note(s) B	1023603-NLA
		1016042-NLA See Note(s) A	
6658 NLA	40131X030-NLA	1007909 See Note(s) B	1022905-NLA
		1016042-NLA See Note(s) A	

NOTE: A - Quantity - 1 each.  
B - Quantity - 2 each  
C - Before 10/17/03.  
E - Before 1/31/04.

Note: When adjusting or replacing parts, please refer to your Owner's Manual for assistance.

## Packaging, Literature & Decals

### Half Rail

Model Number	Carton	Insert	Literature
6630	40131X102-NLA	1007969-NLA See Note(s) A	1016386-NLA

NOTE: A - Quantity - 1 each.  
Note: When adjusting or replacing parts, please refer to your Owner's Manual for assistance.

### Ecomony Half Rail

#### CareGuard by Invacare

Model Number	Carton	Insert	Literature
6640 See Note(s) A	N/A	N/A	1082514-NLA
6640	N/A	N/A	1125060-NLA

NOTE: A - Instruction Sheet no longer available, refer to part #1125060 for replacement.  
Note: When adjusting or replacing parts, please refer to your Owner's Manual for assistance.

### Crossbraces Only

Model Number	Carton	Insert	Literature
6625L NLA	40131X030-NLA	1007909 See Note(s) B	1016404-NLA
		1016042-NLA See Note(s) A	
6626Y2 NLA	40131X159	1016042-NLA See Note(s) A	N/A

NOTE: A - Quantity - 1 each.  
B - Quantity - 2 each  
Note: When adjusting or replacing parts, please refer to your Owner's Manual for assistance.

# Packaging, Literature & Decals

## Economy Telescoping

### CareGuard by Invacare

Model Number	Carton	Insert	Literature
6650	N/A See Note(s) A	N/A See Note(s) A	1080892-NLA See Note(s) A
		1007909 See Note(s) B	00077X079-NLA See Note(s) B
		1016042-NLA See Note(s) B	

NOTE: A - Before 12/15/03.  
B - After 12/14/03.

Note: When adjusting or replacing parts, please refer to your Owner's Manual for assistance.

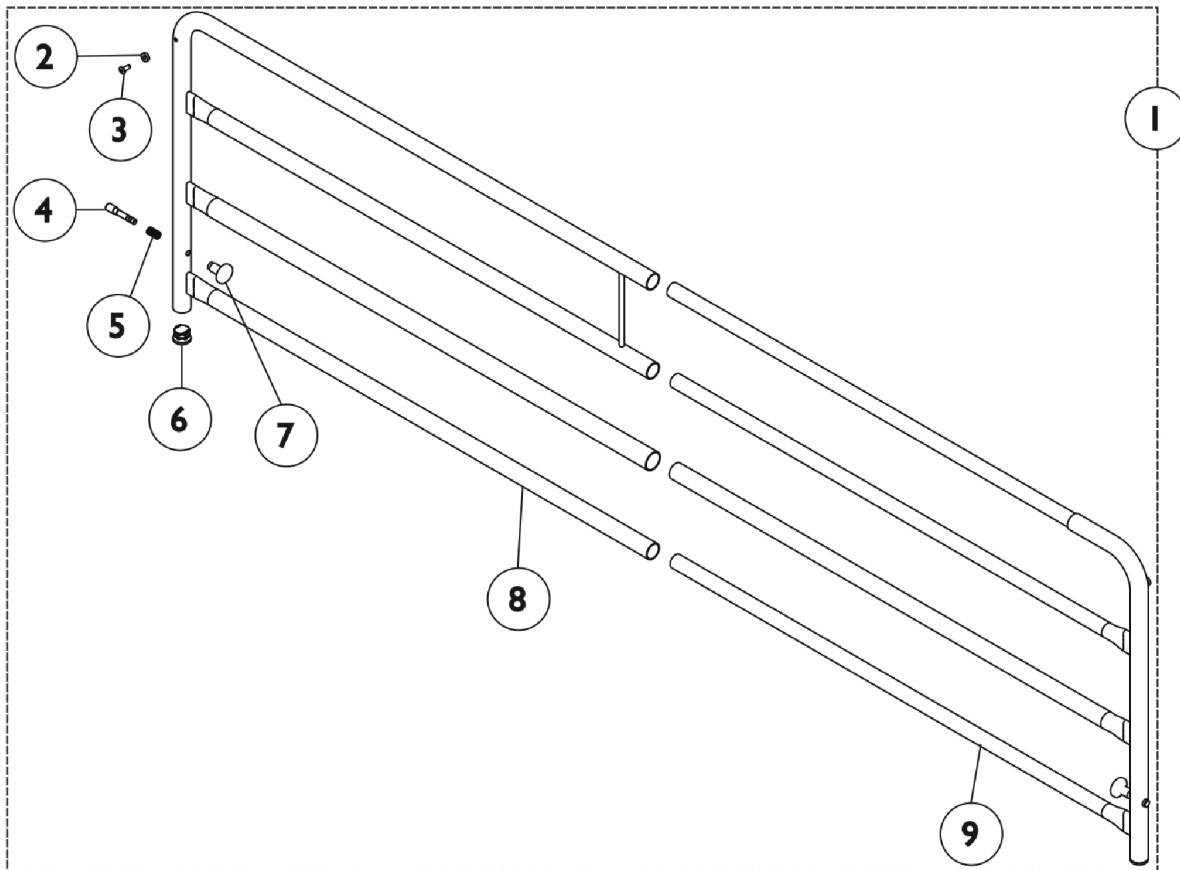
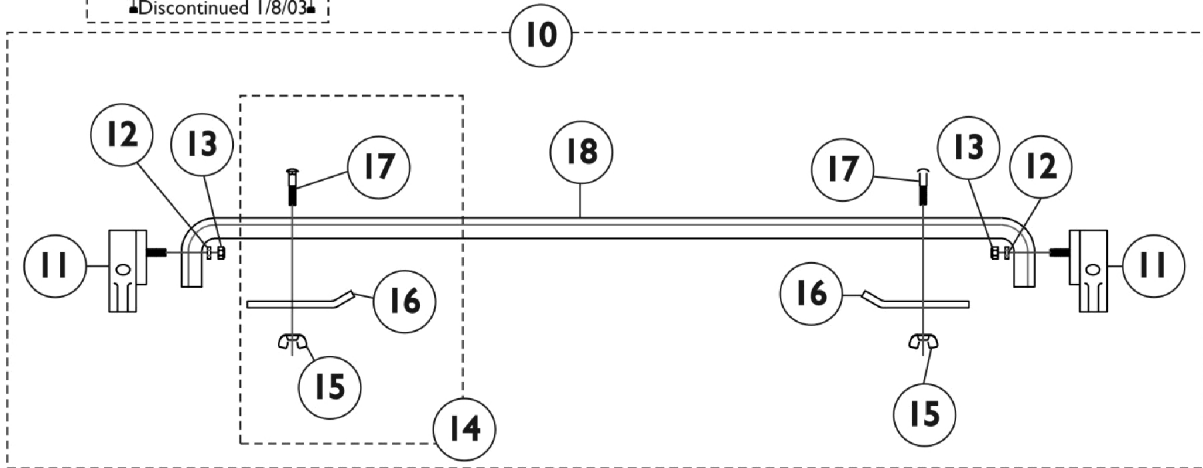
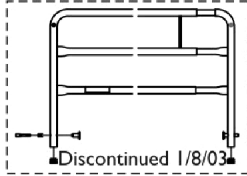
### Decals

Part Number	Description
1130183	Label, Entrapment Warning



# Standard Telescope Bed Rails 6623

This Model was discontinued 1/8/03



## Standard Telescope Bed Rails 6623

**This Model was discontinued 1/8/03**

Item Number	Note	Part Number	Description	Quantity Per	
				Package	Assembly
1	A	1135777-NLA	NLA - Kit, Telescoping Bed Rail	1	2
2			NLA - Washer, Nylon (3/16 x 7/16 x 1/8")	1	2
3			NLA - Rivet (3/16 x 7/16")	1	2
4			NLA - Pin, Plunger	1	2
5			Spring, Plunger (23/64 x 5/8")	1	2
6			Plug Button, Grey (7/8")	1	2
7			Knob, Plunger, Grey	1	2
8			NLA - Rail, Telescoping - Outside	1	1
9			NLA - Rail, Telescoping - Inside	1	1
			Label, Entrapment Warning	1	1
10	B	1021834-NLA	NLA - Kit, Crossbrace Assembly	1	2
11			Barrel, Right	1	1
11			Barrel, Left	1	1
12			Washer, Flat (5/16 x 11/16 x 1/16")	1	2
13			Locknut (5/16-18)	1	2
15			Nut, Wing (1/4-20)	1	2
16			NLA - Clamp Bar	1	2
17			Bolt, Carriage (1/4-20 x 1-1/4")	1	2
18		Channel Only, Granite	1	1	
14	C	1028789-NLA	NLA - Kit, Frame Bar (Pair)	1	1
15			Bolt, Carriage (1/4-20 x 1-1/4")	1	2
16			NLA - Clamp Bar	1	2
17			Nut, Wing (1/4-20)	1	2
	D,E	1012658-NLA	NLA - Spacer, Tube	1	2

NOTE: A - Includes: Items 2-9 and the Warning Label  
 B - Includes: Items 11-18  
 C - Includes: Items 15-17  
 D - Before 8/11/97 only.  
 E - Not Shown

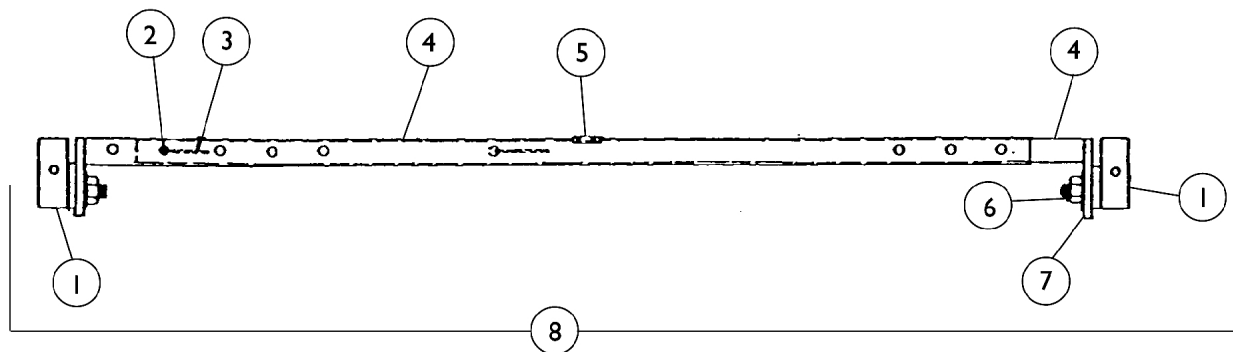
2/1/04 the rails will have 4 rungs instead of 3 so an inner and an outer Rail needs to be ordered when replacing.

# Crossbrace Assembly 6626Y2

This model was discontinued 10/4/00

**Model 6626Y2 (Discontinued)**  
(36" - 69" Wide)

**Model 6626Y2 Crossbrace can be used to convert models 6625, 6628, or 6658 to a Home Bed Rail.**



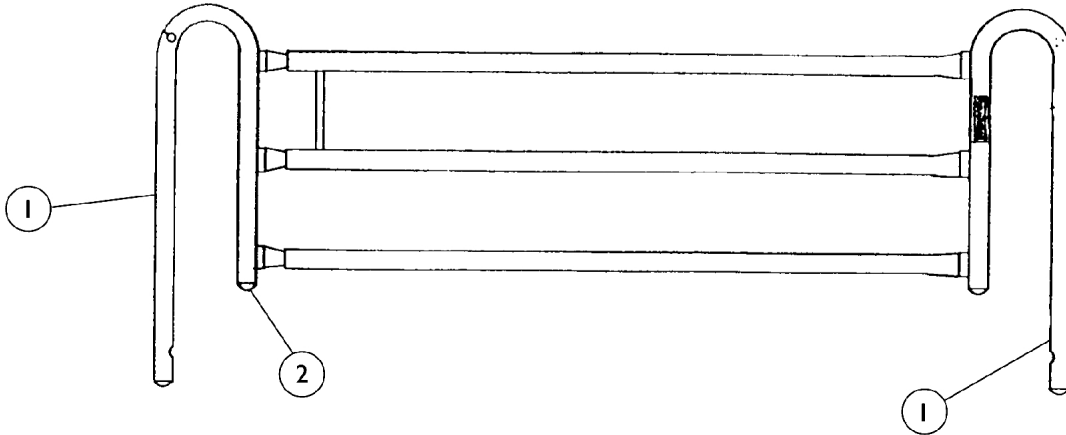
Item Number	Note	Part Number	Description	Quantity Per	
				Package	Assembly
1		16356X000	Barrel Assembly, Right Head End / Left Foot End (Includes: Plunger Knob and Pin)	1	2
1		16326X000	Barrel Assembly, Left Head End / Right Foot End (Includes: Plunger Knob and Pin)	1	2
2		48806X011-NLA	NLA - Button, Snap	1	4
3		40188X005-NLA	NLA - Spring, Torsion	1	4
4	A	06626X003-NLA	NLA - Tube, Channel, Chrome - Outside	1	2
4	A	06626X004-NLA	NLA - Tube, Channel, Chrome - Inside	1	2
5		1011239-NLA	NLA - Label, Caution	1	2
6		60290X002	Locknut (5/16-18)	1	4
7		16308X000	Washer, Flat (5/16 x 11/16 x 1/16")	1	4
8	B	06626X002-NLA	NLA - Crossbrace Assembly	1	2

NOTE: A - Channel Tube is No Longer Available. Order Item number 8.  
B - Includes Items 1-7.

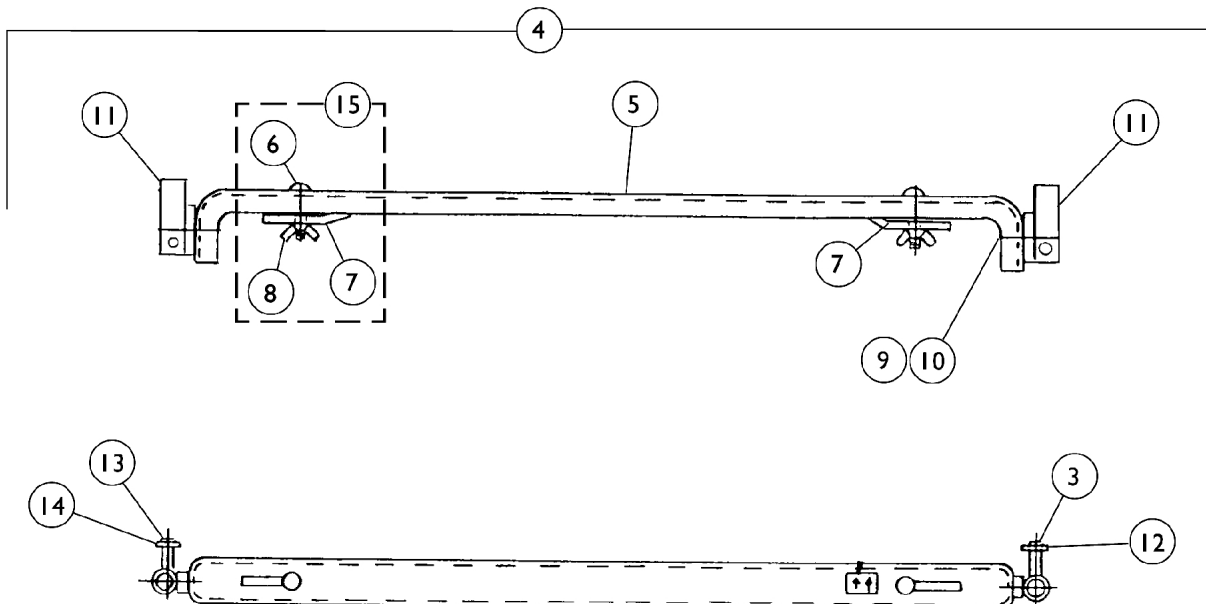
# Deluxe Telescoping Bed Rail and Crossbrace Assembly 6625/6625L

6625 was discontinued 2/4/03.  
6625L was discontinued 9/21/94.

## Model 6625



## Model 6625L (Discontinued) (Fits Wider Twin Beds-Deck Width 33-1/4" - 36-1/2")



# **Deluxe Telescoping Bed Rail and Crossbrace Assembly 6625/6625L**

**6625 was discontinued 2/4/03.  
6625L was discontinued 9/21/94.**

---

# Deluxe Telescoping Bed Rail and Crossbrace Assembly 6625/6625L

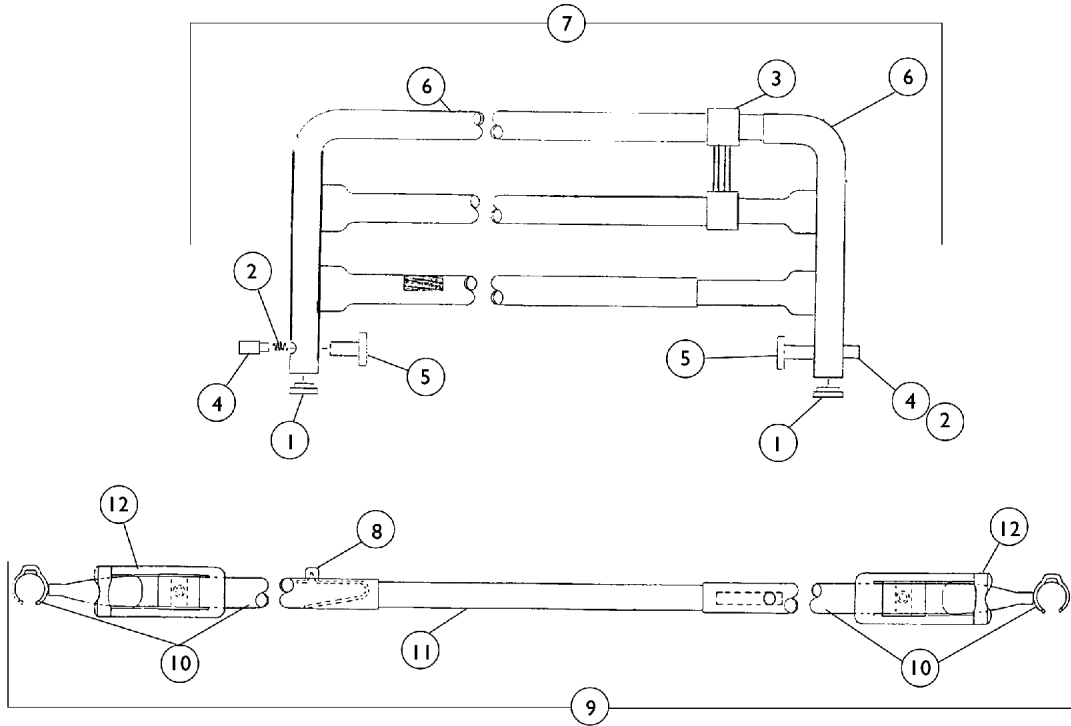
**6625 was discontinued 2/4/03.  
6625L was discontinued 9/21/94.**

Item Number	Note	Part Number	Description	Quantity Per	
				Package	Assembly
1		16320X006-NLA	NLA - Rail, Outside	1	2
1		16320X007-NLA	NLA - Rail, Inside	1	2
2		1057287	Plug Button, Grey (1")	1	8
3		40314X001-NLA	NLA - Ring, Retaining	1	4
4	A,D	16330X000-NLA	NLA - Crossbrace Assembly, Grey	1	2
4	E	1010422-NLA	NLA - Crossbrace Assembly	1	2
5	D	1007727	Channel Only, Granite	1	2
5	E	1007729-NLA	NLA - Channel Only	1	2
9		60290X002	Locknut (5/16-18)	1	4
10	D	16308X000	Washer, Flat (5/16 x 11/16 x 1/16")	1	4
10	E	16347X000-NLA	NLA - Washer, Nylon (3/16 x 7/16 x 1/8")	1	4
11	B	16326X000	Barrel Assembly, Left Head End / Right Foot End (Includes: Plunger Knob and Pin)	1	2
11	B	16356X000	Barrel Assembly, Right Head End / Left Foot End (Includes: Plunger Knob and Pin)	1	2
12		19000X023	Spring, Plunger (23/64 x 5/8")	1	4
13		19000X012	Pin, Plunger	1	4
14		40014X020-NLA	NLA - Knob, Plunger	1	4
15	C	1028789-NLA	NLA - Kit, Frame Bar (Pair)	1	1
6			Bolt, Carriage (1/4-20 x 1-1/4")	1	2
7			NLA - Clamp Bar	1	2
8			Nut, Wing (1/4-20)	1	2
NOTE: A - Includes Items 5-11 B - Includes Items 3, 12-14 C - Includes Items 6-8 D - Used on 6625 E - Used on 6625L					

# Standard Quick Clip-On Bed Rails 6627

This item was discontinued 2/16/96

Model 6627 (Discontinued)



## Standard Quick Clip-On Bed Rails 6627

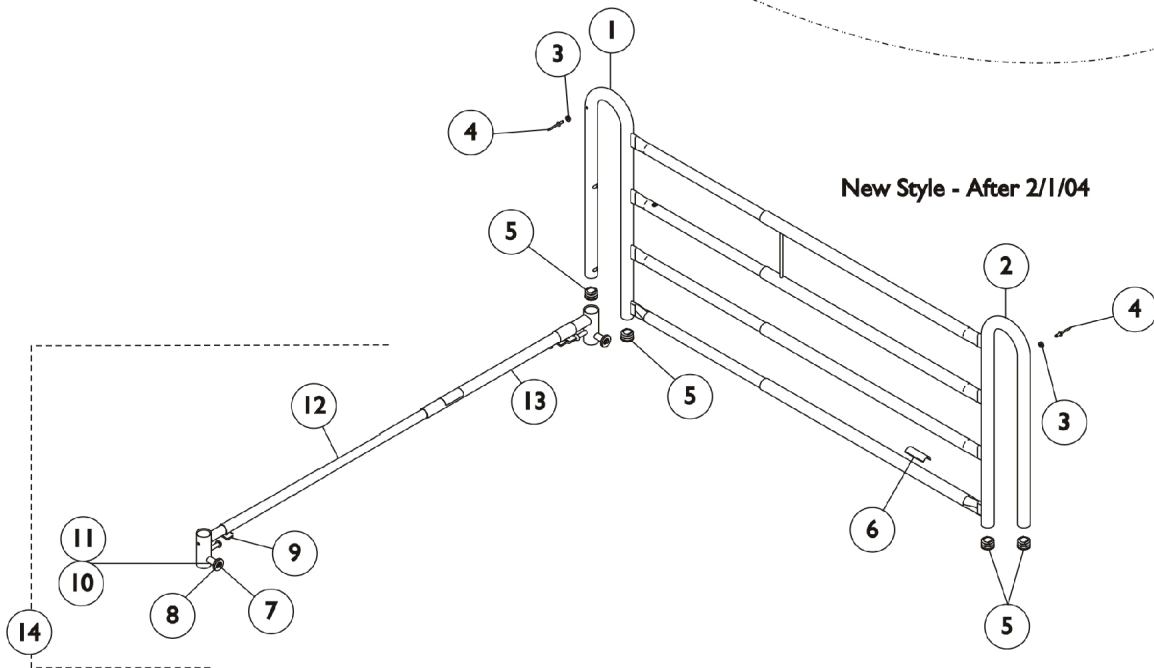
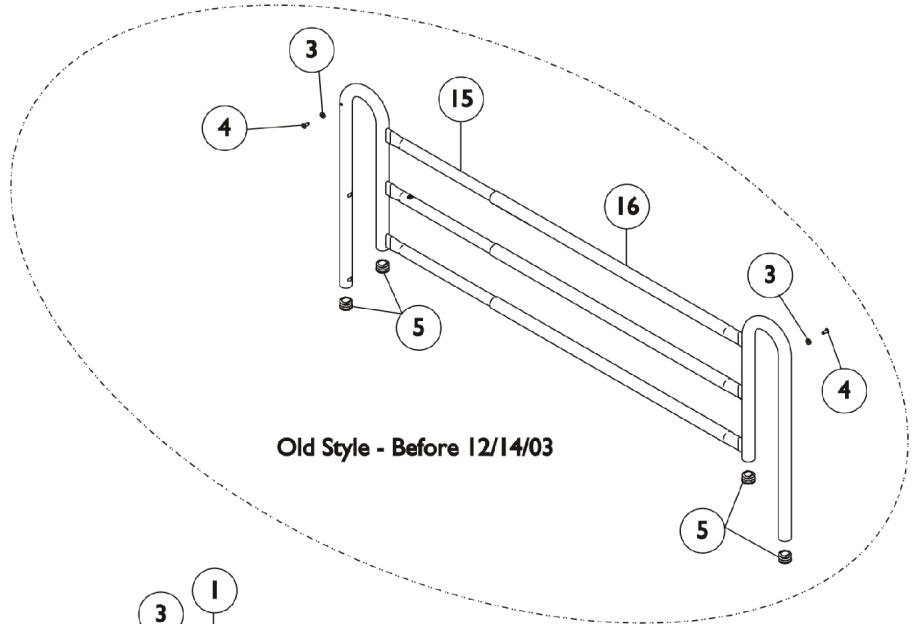
**This item was discontinued 2/16/96**

Item Number	Note	Part Number	Description	Quantity Per	
				Package	Assembly
1		1027096	Plug Button, Grey (7/8")	1	4
2		19000X023	Spring, Plunger (23/64 x 5/8")	1	4
3		1012658-NLA	NLA - Spacer, Tube	1	2
4		1012660-NLA	NLA - Pin, Plunger	1	4
5		1012656	Knob, Plunger, Grey	1	4
6		1012669	Rail, Telescoping - Outside	1	2
6		1012670	Rail, Telescoping - Inside	1	2
7	A	1013305-NLA	NLA - Telescoping Rail Assembly	1	2
8		40188X009	Button, Single Snap	1	4
9	B	1023490-NLA	NLA - Crossbrace Assembly	1	2
10		1022789-NLA	NLA - Tube, Channel with Barrel - Left Head End / Right Foot End	1	2
10		1022790-NLA	NLA - Tube, Channel with Barrel - Left Foot End / Right Head End	1	2
11		1022842-NLA	NLA - Tube, Channel - Center	1	2
12		1022652-NLA	NLA - Clip, Spring	1	2

NOTE: A - Includes items 1-6  
B - Crossbrace Assembly is no longer available. May be replaced with crossbrace from model 6629.



# Deluxe Spring Loaded Bed Rails 6628 & 6628-TSS

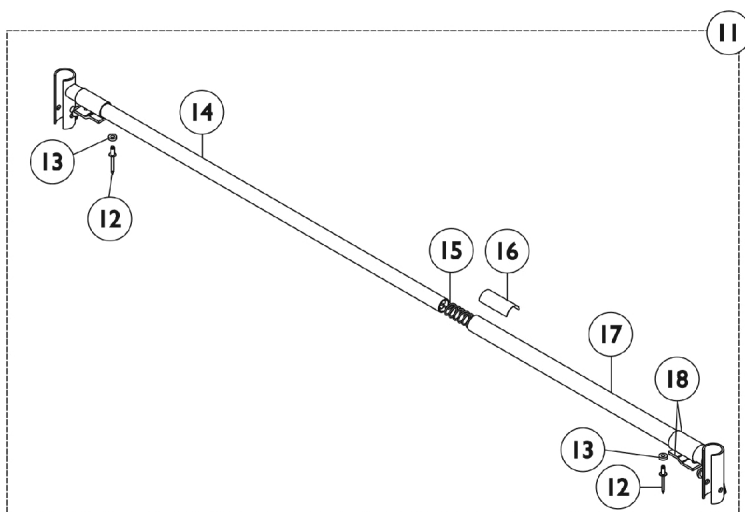
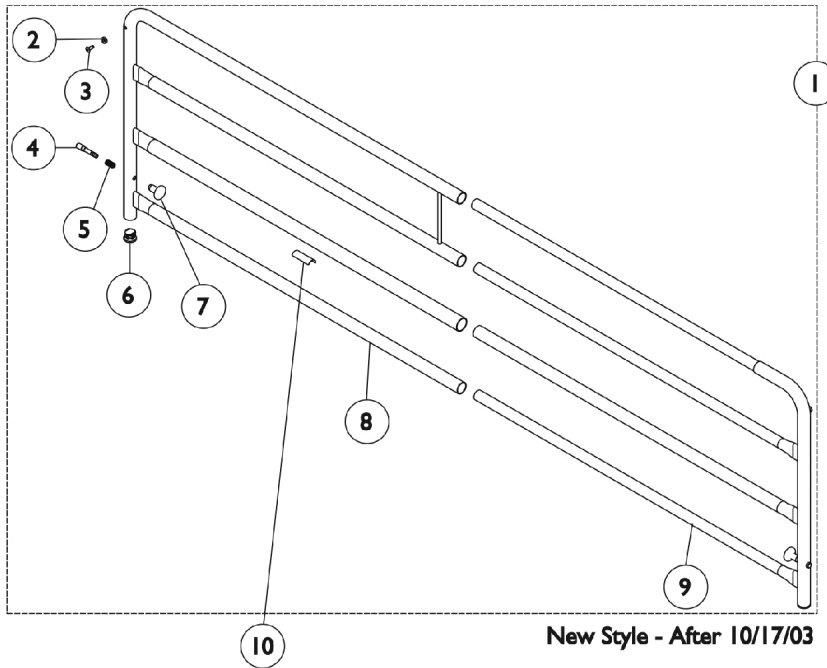
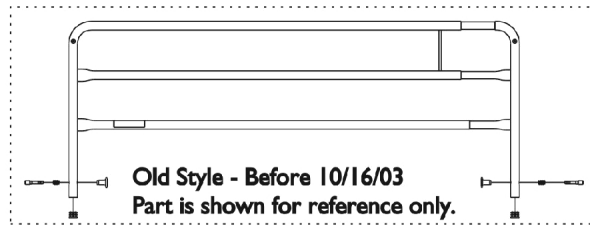


## Deluxe Spring Loaded Bed Rails 6628 & 6628-TSS

Item Number	Note	Part Number	Description	Quantity Per	
				Package	Assembly
1	F	1121932-NLA	NLA - Rail, Inside	1	1
2	F	1121933-NLA	NLA - Rail, Outside	1	1
3		16347X000-NLA	NLA - Washer, Nylon (3/16 x 7/16 x 1/8")	1	2
4		16348X000-NLA	NLA - Rivet (3/16 x 7/16")	1	2
5		1057287	Plug Button, Grey (1")	1	8
6		1122149-NLA	NLA - Label, Warning - Reduced Gap	1	1
7		40314X001-NLA	NLA - Ring, Retaining	1	4
8		40014X020-NLA	NLA - Knob, Plunger	1	4
9		1110764-NLA	NLA - Clip, Rail - Small	1	2
9		1110765-NLA	NLA - Clip, Rail - Large	1	2
12		1106232-NLA	NLA - Tube, Channel with Barrel - Inside	1	1
12	G	1110951-NLA	NLA - Tube, Channel with Barrel, Chrome - Inner Deluxe	1	1
13		1106234-NLA	NLA - Tube, Channel with Barrel, Outside	1	1
13		1110954-NLA	NLA - Tube, Channel with Barrel, Chrome - Outer Deluxe	1	1
14	A,D	1106235-NLA	NLA - Crossbrace Assembly, Chrome	1	2
14	A,C	1110955-NLA	NLA - Crossbrace Assembly, Deluxe, Wide	1	2
15		16320X007-NLA	NLA - Rail, Inside	1	1
16		16320X006-NLA	NLA - Rail, Outside	1	1
	B,E	1110957-NLA	NLA - Kit, Bed Rail Hardware	1	1

NOTE: A - Includes Items 3-12 and the Bed Rail Hardware Kit.  
 B - Not Shown  
 C - To be used with a TSS Mattress Only. Crossbraces are extra wide to accommodate the mattress.  
 D - Both old style and new style models use this crossbrace.  
 E - Includes the Wing Screws (4) to hold the X-Brace in place on the Bed Frame.  
 F - 2/1/04 the rails will have 4 rungs instead of 3 so an inner and an outer Rail needs to be ordered when replacing.  
 G - No longer available as a service part individually. Order item 14 part #1110955 as a replacement.

# Standard Spring Loaded Bed Rails 6629

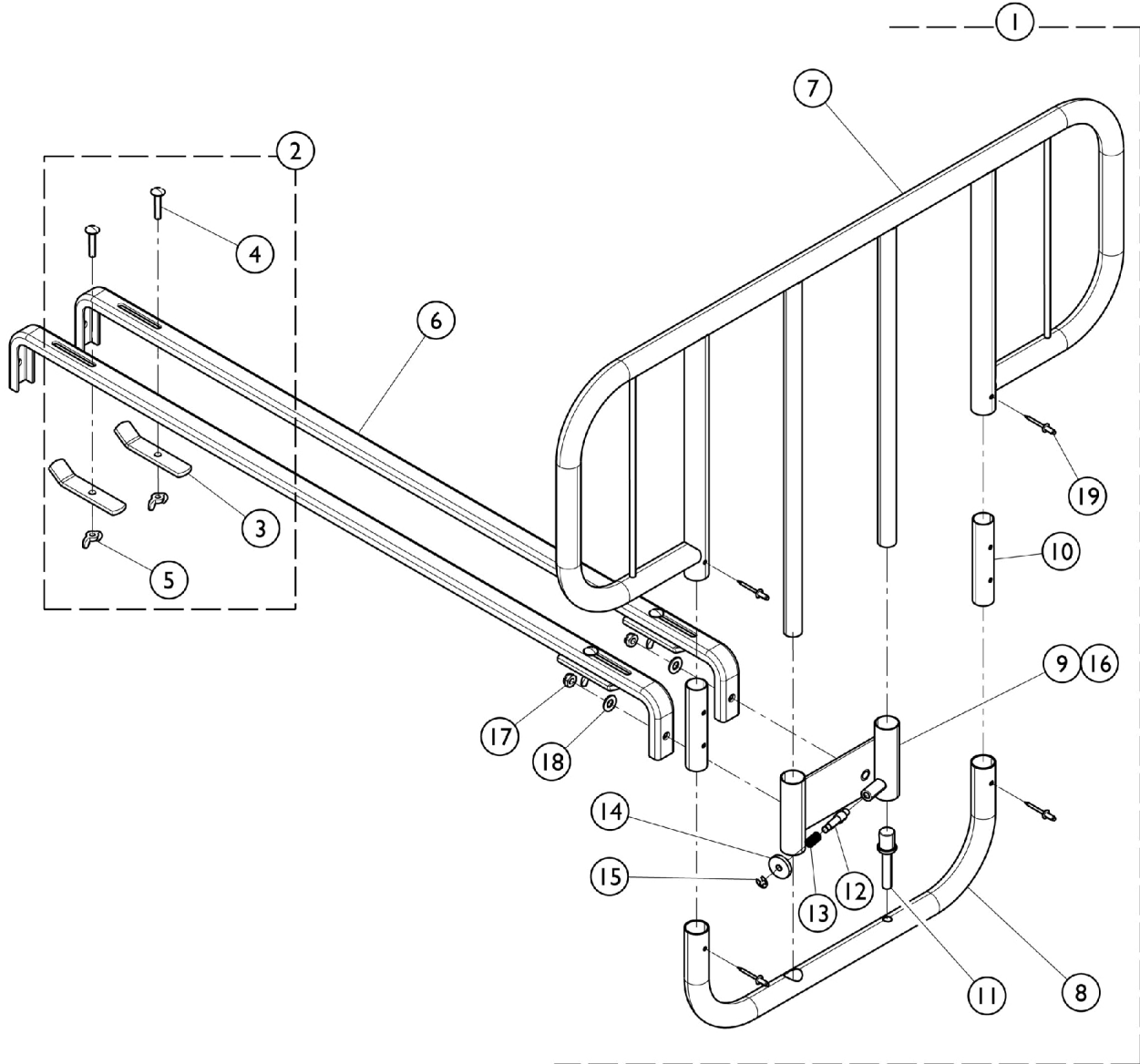


## Standard Spring Loaded Bed Rails 6629

Item Number	Note	Part Number	Description	Quantity Per	
				Package	Assembly
1	A,C	1135777-NLA	NLA - Kit, Telescoping Bed Rail	1	2
2			NLA - Washer, Nylon (3/16 x 7/16 x 1/8")	1	2
3			NLA - Rivet (3/16 x 7/16")	1	2
4			NLA - Pin, Plunger	1	2
5			Spring, Plunger (23/64 x 5/8")	1	2
6			Plug Button, Grey (7/8")	1	2
7			Knob, Plunger, Grey	1	2
8			NLA - Rail, Telescoping - Outside	1	1
9			NLA - Rail, Telescoping - Inside	1	1
			Label, Entrapment Warning	1	1
10		1122149-NLA	NLA - Label, Warning - Reduced Gap	1	1
11	B	1108836-NLA	NLA - Crossbrace Assembly, Chrome	1	2
12		16348X000-NLA	NLA - Rivet (3/16 x 7/16")	1	4
13		16347X000-NLA	NLA - Washer, Nylon (3/16 x 7/16 x 1/8")	1	4
14	E	1108832-NLA	NLA - Tube, Channel w/ Barrel - Inside	1	2
15		1047101-NLA	NLA - Spring, Compression with Hook End	1	2
16		1011239-NLA	NLA - Label, Caution	1	2
17		1108835-NLA	NLA - Tube, Channel with Barrel - Outside	1	2
18		1047096-NLA	NLA - Clip, Crossbrace	1	4
19	D	1110957-NLA	NLA - Kit, Bed Rail Hardware	1	1

NOTE: A - Includes: Items 2-9 and the Warning Label  
B - Includes: Items 12-18  
C - As of 10/17/03 the rails have 4 rungs instead of 3 so an inner and an outer Rail needs to be ordered when replacing.  
D - Not Shown.  
E - No longer available as an individual service part, use Item 11 (1108836) as its replacement.

# Half Length Bed Rails - 6630

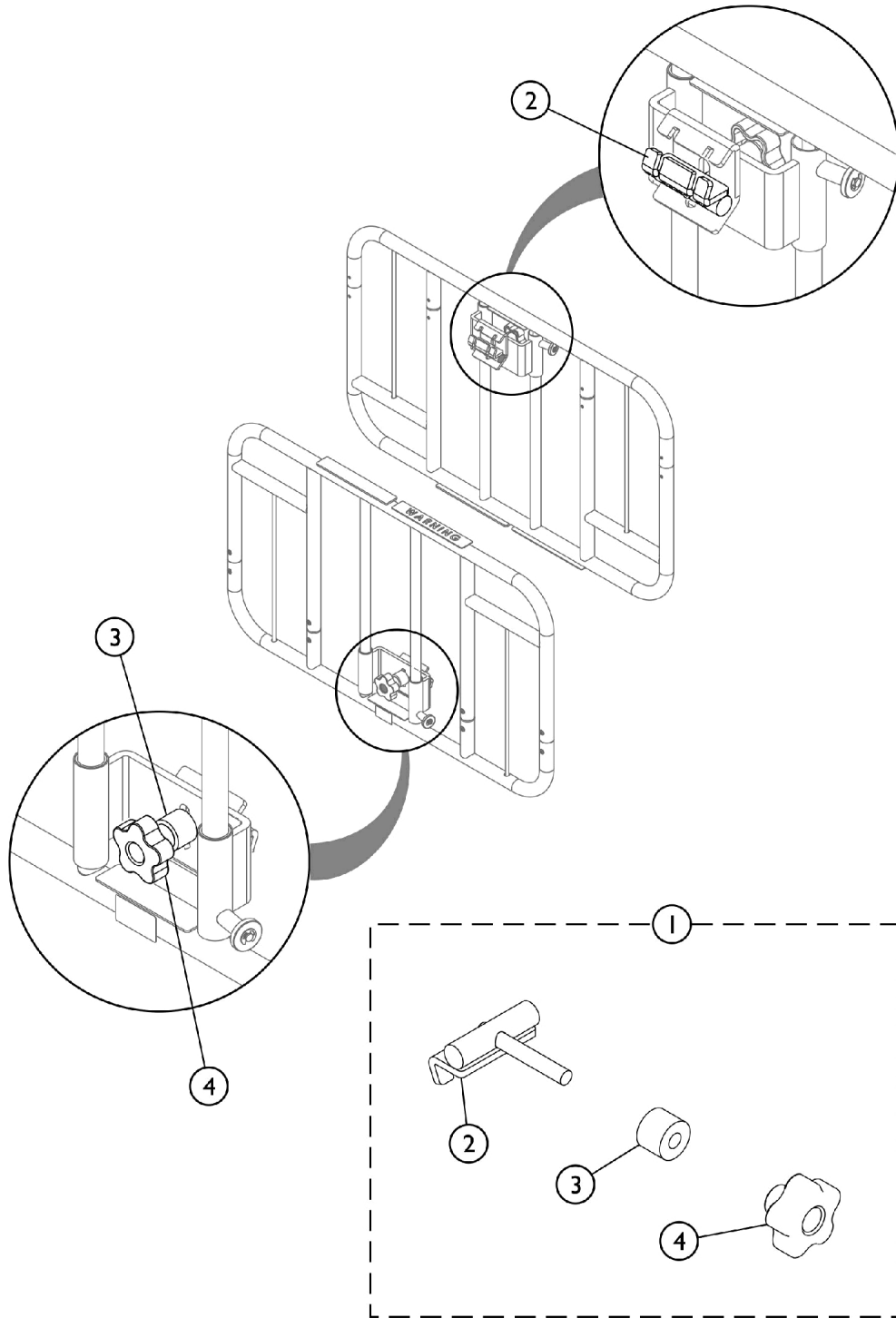


## Half Length Bed Rails - 6630

Item Number	Note	Part Number	Description	Quantity Per	
				Package	Assembly
1	A	16364X000-NLA	NLA - Half Rail Assembly	1	2
2	B	1028789-NLA	NLA - Kit, Frame Bar (Pair)	1	1
3			Bolt, Carriage (1/4-20 x 1-1/4")	1	2
4			NLA - Clamp Bar	1	2
5			Nut, Wing (1/4-20)	1	2
6		1007727	Channel Only, Granite	1	2
7		16357X000-NLA	NLA - Rail, Top	1	2
8		16362X000-NLA	NLA - Rail, Bottom	1	2
9		16346X000-NLA	NLA - Bracket, Slide, Chrome	1	2
10		16363X000-NLA	NLA - Bushing (4")	1	2
11		16335X000	Insert	1	2
12		19000X012	Pin, Plunger	1	2
13		19000X023	Spring, Plunger (23/64 x 5/8")	1	2
14		40014X020-NLA	NLA - Knob, Plunger	1	1
15		40314X001-NLA	NLA - Ring, Retaining	1	1
16		16336X000	Bushing, Composite, Nylon (25/32 x 29/32 x 3/4")	1	6
17	D	60290X002	Locknut (5/16-18)	1	4
18	D	16308X000	Washer, Flat (5/16 x 11/16 x 1/16")	1	4
19		16348X000-NLA	NLA - Rivet (3/16 x 7/16")	1	8
	C	1016386-NLA	NLA - Instruction Sheet, 6630 Bedrail	1	1

NOTE: A - Includes items 7 - 19.  
B - Includes items 3 - 5.  
C - Not shown in illustration.  
D - Used to mount Item 6 to Item 9, mounted to studs already welded to Item 9 on the opposite side from the view in the illustration. Refer to Instruction Sheet for more detail.

# Clamp-On Half Length Bed Rails - 6630DS



SBP\_087A

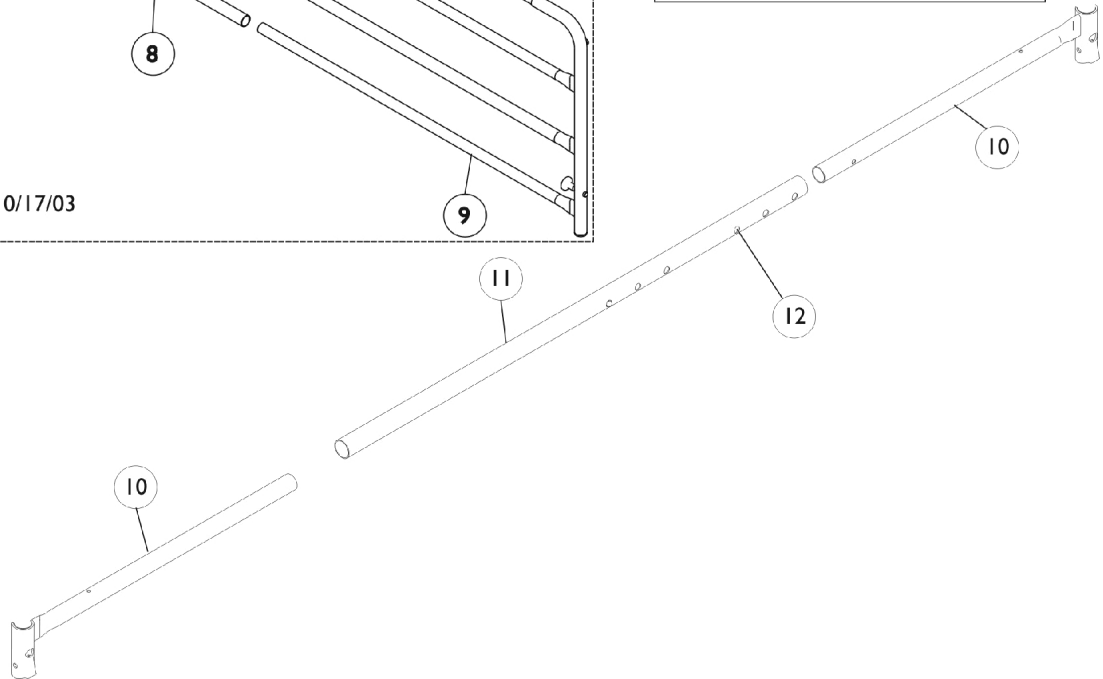
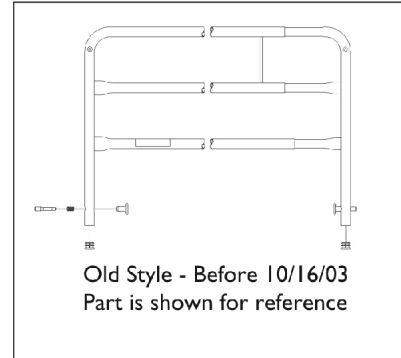
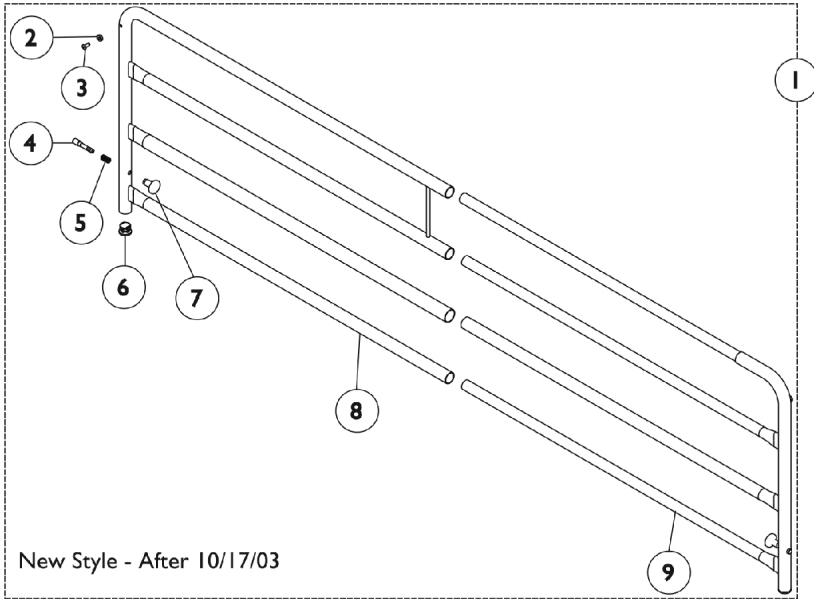
## Clamp-On Half Length Bed Rails - 6630DS

Item Number	Note	Part Number	Description	Quantity Per	
				Package	Assembly
1	A	1193768	Kit, Half Rail Slide	1	1
2			Bracket, Top Slide	1	1
3			Bushing	1	1
4			Knob, 3/8-16 w/ Insert	1	1
			NLA - Bag, Poly Zip-Lip (8-3/4" L x 6" W)	1	1

NOTE: A - Includes items 2-4 and Poly Bag (not shown). Kit is sold complete.



# Telescoping Home Bed Rail 6631

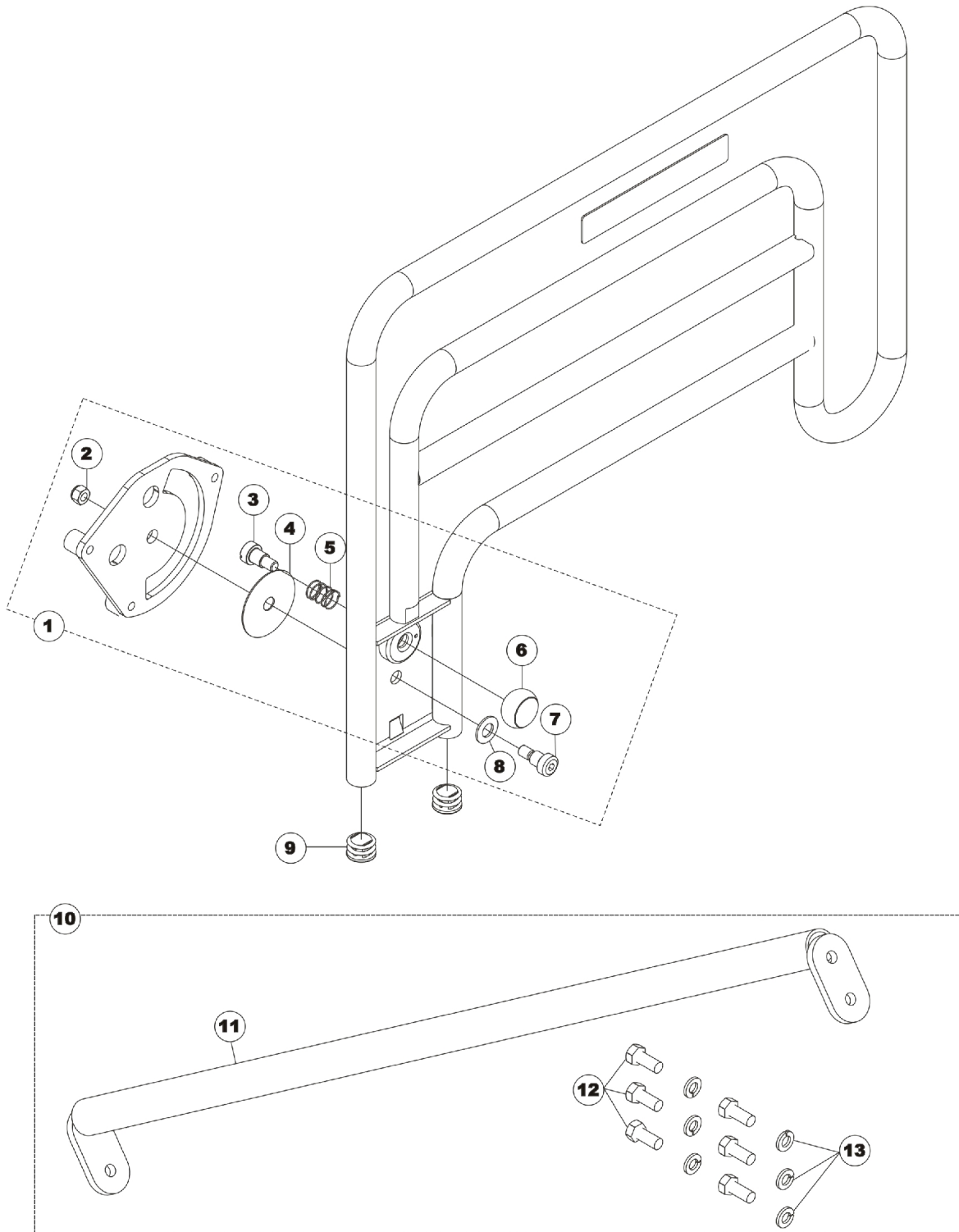


## Telescoping Home Bed Rail 6631

Item Number	Note	Part Number	Description	Quantity Per	
				Package	Assembly
1	A,B	1135777-NLA	NLA - Kit, Telescoping Bed Rail	1	2
2			NLA - Washer, Nylon (3/16 x 7/16 x 1/8")	1	2
3			NLA - Rivet (3/16 x 7/16")	1	2
4			NLA - Pin, Plunger	1	2
5			Spring, Plunger (23/64 x 5/8")	1	2
6			Plug Button, Grey (7/8")	1	2
7			Knob, Plunger, Grey	1	2
8			NLA - Rail, Telescoping - Outside	1	1
9			NLA - Rail, Telescoping - Inside	1	1
		Label, Entrapment Warning	1	1	
10		1022789-NLA	NLA - Tube, Channel with Barrel - Left Head End / Right Foot End	1	2
10		1022790-NLA	NLA - Tube, Channel with Barrel - Left Foot End / Right Head End	1	2
11	1023599-NLA	NLA - Tube, Channel, Chrome - Center	1	2	
12	40188X009	Button, Single Snap	1	4	

NOTE: A - As of 10/17/03 the rails have 4 rungs instead of 3 so an inner and an outer Rail needs to be ordered when replacing.  
B - Includes: Items 2-9 and the Warning Label

# Half Length Assist Rail - 6632



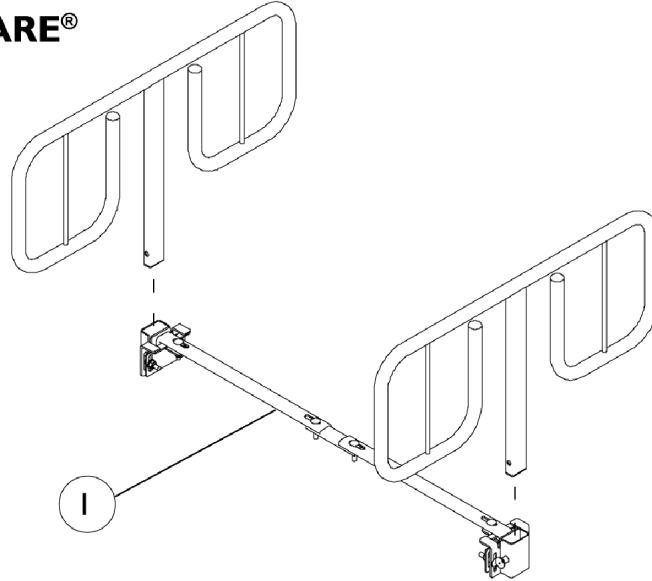
## Half Length Assist Rail - 6632

Item Number	Note	Part Number	Description	Quantity Per	
				Package	Assembly
1	A	1134721	Kit, Bed Rail Hardware	1	1
2			Locknut (3/8-16)	1	1
3			Screw, Shoulder Slotted Head (1/2 x 1/2", 3/8-16)	1	1
4			Washer, Nylon (33/64 x 2-1/2 x 3/64")	1	1
5			Spring, Compression (3/4 x 1 x 3/64")	1	1
6			Knob, LATCH-0002 (3/8-16 x 1-3/8")	1	1
7			Screw, Shoulder Hex Socket Head (1/2 x 1/2", 3/8-16)	1	1
8			Washer, Belleville (33/64 x 1-1/64 x 3/32")	1	1
9	B	1029501	Plug Button, Black (1")	1	2
10		1134720-NLA	NLA - Kit, Cross Tube Replacement	1	1
11		NLA - Crossbrace, Assist Rail, Brown	1	1	
12		NLA - Screw, Hex Head (5/16-18 x 3/4")	1	6	
13		NLA - Washer, Split Lock (5/16")	1	6	

NOTE: A - Includes: Items 2-8  
B - Includes: Items 11-13

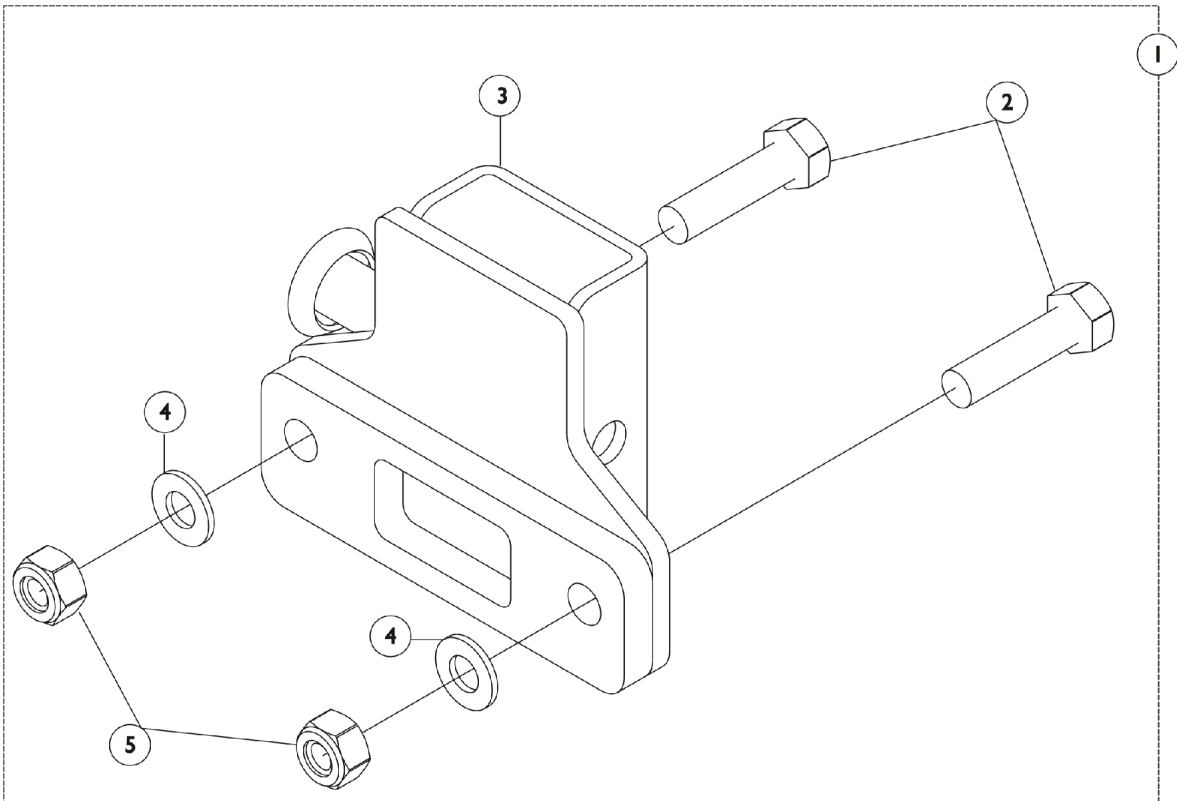
# Economy Bed Rail 6640

**Model 6640**  
**CAREGUARD™ by INVACARE®**



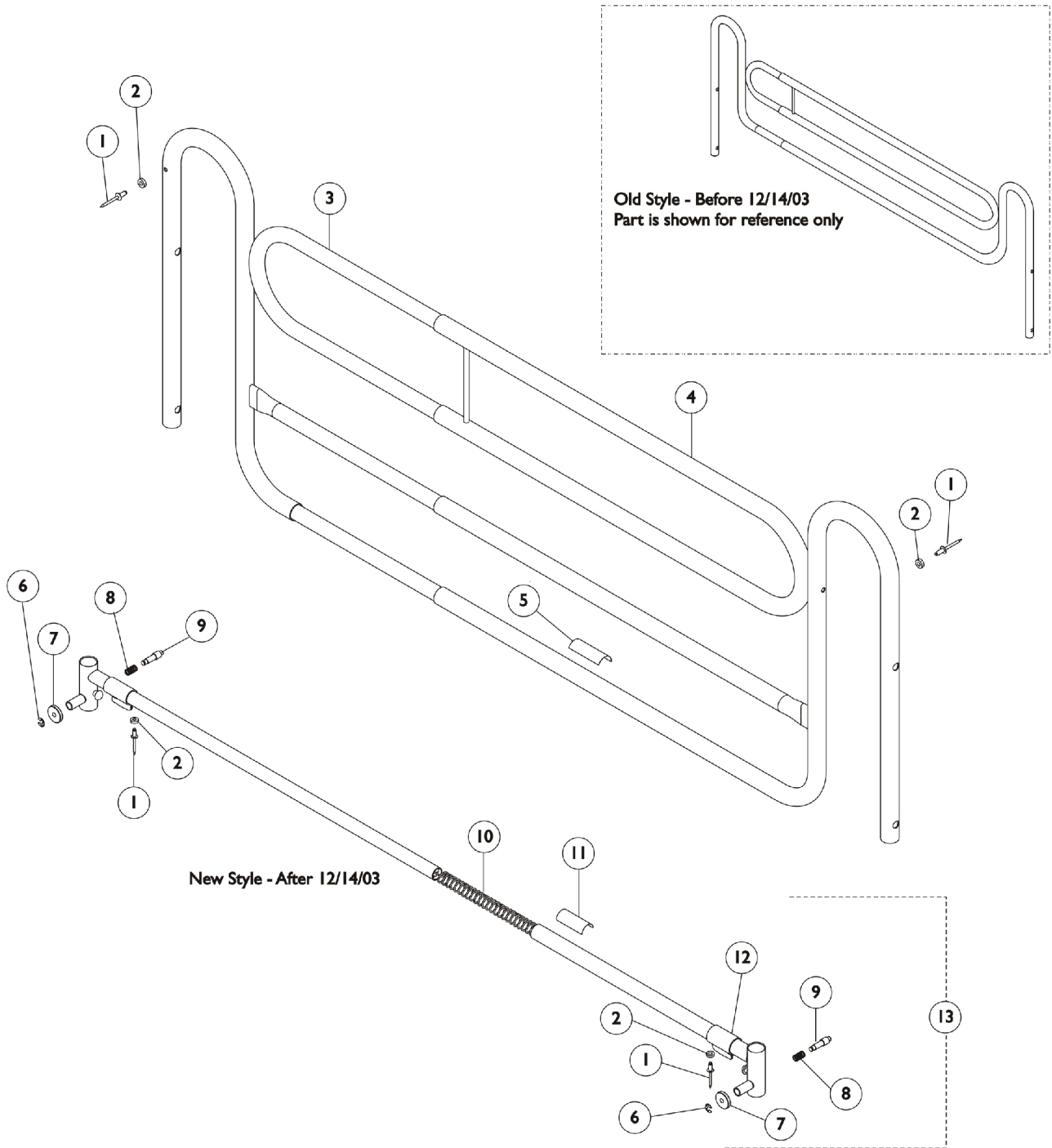
Item Number	Note	Part Number	Description	Quantity Per	
				Package	Assembly
1	A	1082477-NLA	NLA - Kit, Crossbrace	1	1
			Clamp, Side Adjustment	1	2
			NLA - Kit, Homecare Bed Hardware	1	1
			Bolt, Round Hd Square Neck (5/16-18 x 1-1/4")	1	4
			Nut, Hex Lock (5/16-18)	1	6
			NLA - Spacer (5/16 x 3/4 x 1/2")	1	4
			NLA - Screw, Round Head Square Neck (5/16-18 x 2")	1	2
NOTE: A - Crossbrace Kit accommodates both the (Homecare Beds (1105472)) and BAR600 Bariatric Beds. Individual components are not shown.					

## Bariatric Bed Rails - BAR6640IVC



Item Number	Note	Part Number	Description	Quantity Per	
				Package	Assembly
1		1128330	Kit, Adjustable Lock	1	1
2			NLA - Screw, Hex Head (5/16-18 x 1-1/4")	1	2
3			Bracket, Adjustable Locking	1	1
4			NLA - Washer, Steel (5/16 x 5/8 x 1/16")	1	2
5			Nut, Hex Lock (5/16-18)	1	2

# Economy Telescoping Bed Rail 6650



## Economy Telescoping Bed Rail 6650

Item Number	Note	Part Number	Description	Quantity Per	
				Package	Assembly
1		16348X000-NLA	NLA - Rivet (3/16 x 7/16")	1	2
2		16347X000-NLA	NLA - Washer, Nylon (3/16 x 7/16 x 1/8")	1	2
3	A	1121941-NLA	NLA - Rail, Telescoping - Inside	1	1
4	A	1121940-NLA	Rail, Telescoping - Outside	1	1
5		1122149-NLA	NLA - Label, Warning - Reduced Gap	1	1
6		40314X001-NLA	NLA - Ring, Retaining	1	2
7		40014X020-NLA	NLA - Knob, Plunger	1	2
8		19000X023	Spring, Plunger (23/64 x 5/8")	1	2
9		19000X012	Pin, Plunger	1	2
10		1047101-NLA	NLA - Spring, Compression with Hook End	1	1
11		1011239-NLA	NLA - Label, Caution	1	1
12		1047096-NLA	NLA - Clip, Crossbrace	1	2
13		1106244-NLA	NLA - Crossbrace Assembly	1	2

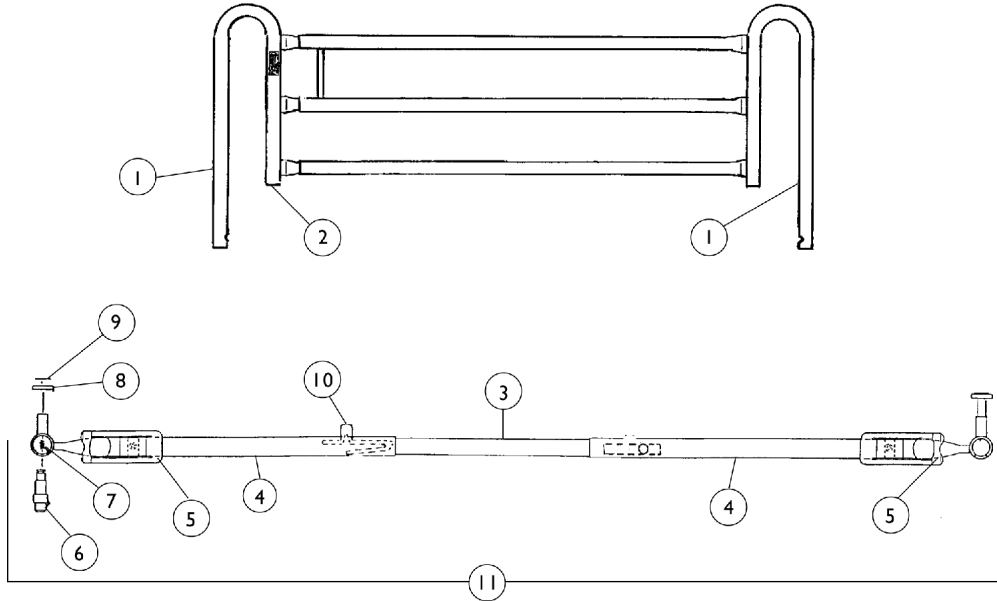
NOTE: A - After 2/1/04 the rails will have 4 rungs instead of 3 so an inner and an outer Rail needs to be ordered when replacing.



# Deluxe Quick Clip-On Bed Rail 6658

This item was discontinued as of 10/12/95

**Model 6658 (Discontinued)**



Item Number	Note	Part Number	Description	Quantity Per	
				Package	Assembly
1		16320X006-NLA	NLA - Rail, Outside	1	2
1		16320X007-NLA	NLA - Rail, Inside	1	2
2		1057287	Plug Button, Grey (1")	1	8
3		1022842-NLA	NLA - Tube, Channel - Center	1	2
4		1106235-NLA	NLA - Crossbrace Assembly, Chrome	1	2
5		1022652-NLA	NLA - Clip, Spring	1	2
6		19000X012	Pin, Plunger	1	4
7		19000X023	Spring, Plunger (23/64 x 5/8")	1	4
8		40014X020-NLA	NLA - Knob, Plunger	1	4
9		40314X001-NLA	NLA - Ring, Retaining	1	4
10		40188X009	Button, Single Snap	1	4
11	A	1023491-NLA	NLA - Crossbrace Assembly	1	2

NOTE: A - Includes Items 3-10.

If an NLA item needs to be replaced, please see the current bed rail model numbers available. Parts are not interchangeable so a whole new model will need to be ordered.

