



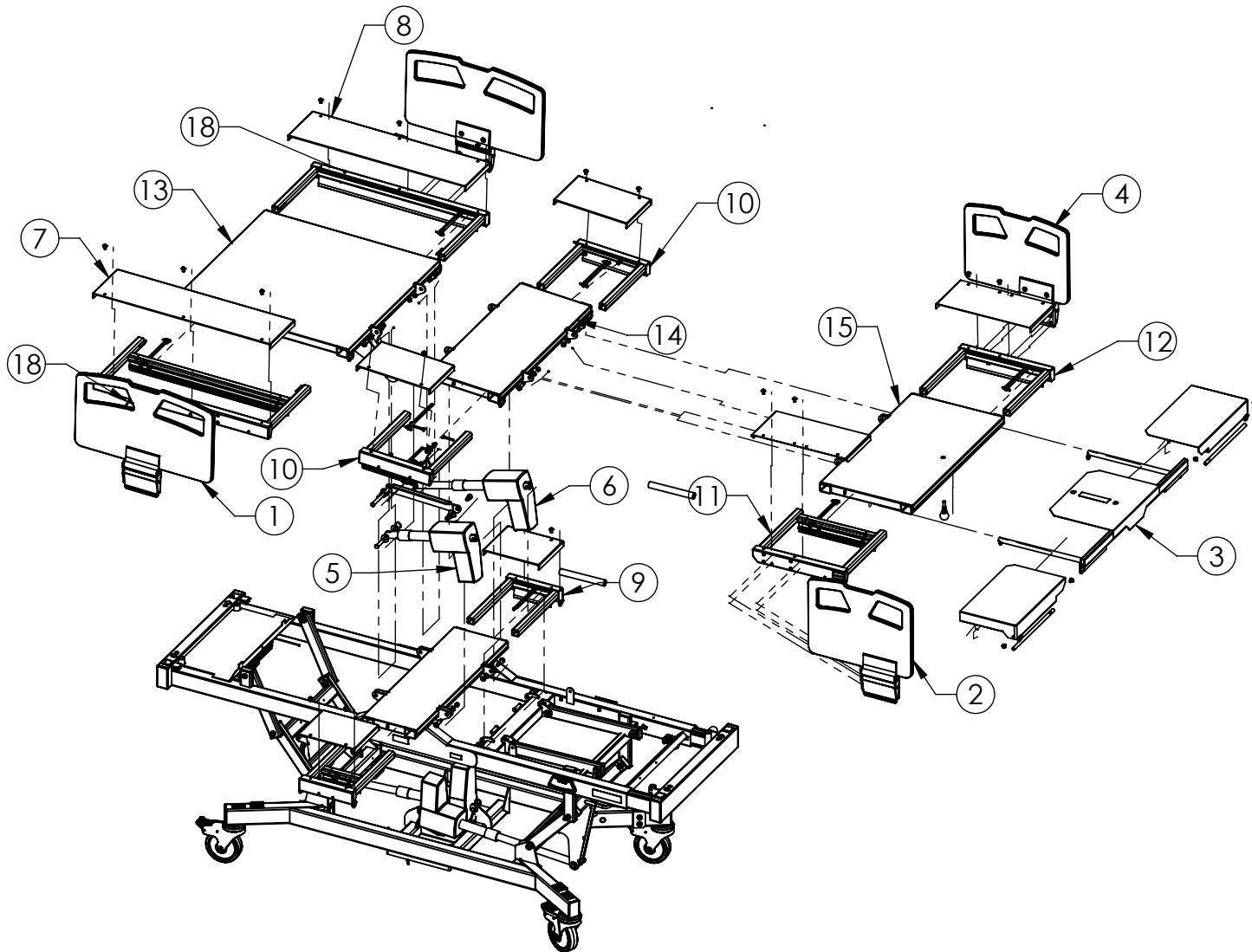
# Parts List

## Joerns® Bed Frames

### Bari10A

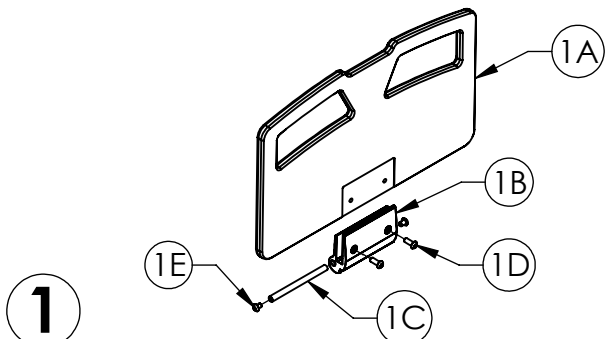


# MATTRESS SUPPORT PLATFORM SERVICE COMPONENTS MODELS: BARI10A



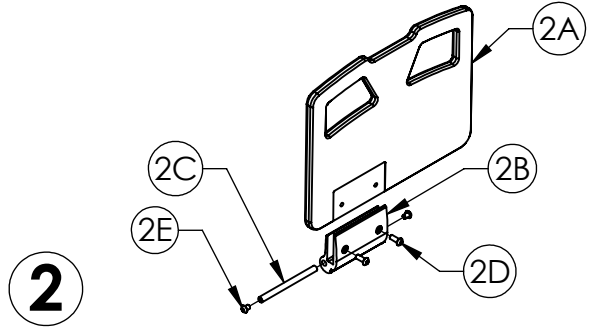
USE NUMBER BALLOONS ON THE PAGE TO MATCH TO CORRESPONDING BILL OF MATERIALS IN THE FOLLOWING PAGES

# MATTRESS SUPPORT PLATFORM SERVICE COMPONENTS BARI10A



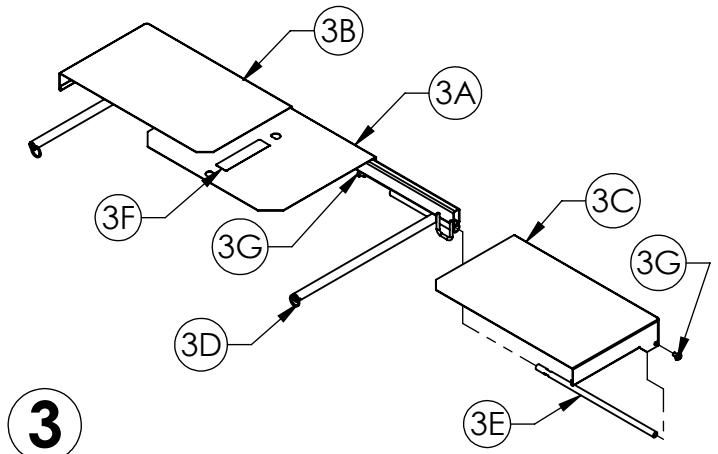
**ITEM 1 39000917 Head Rail w/ Sub Assembly Components**

PART	PART #	DESCRIPTION	QTY.
1A	11013501	SIDE RAIL, HEAD	1
1B	11013503	SIDE RAIL MOUNT, ANODIZED	1
1C	11013505	SIDE RAIL PIVOT SHAFT	1
1D	12523774	BOLT, BY, 3/8-16 x 1	2
1E	12543717	SCREW,BUTTONHEAD, 3/8-16X.50"L	2
NS	12010060	LOCTITE®	1
NS	6150297	INSTALLATION INSTRUCTION, HEAD RAIL, BARI10A	1



**ITEM 2 39000919 Right Foot Rail w/ Sub Assembly Components**

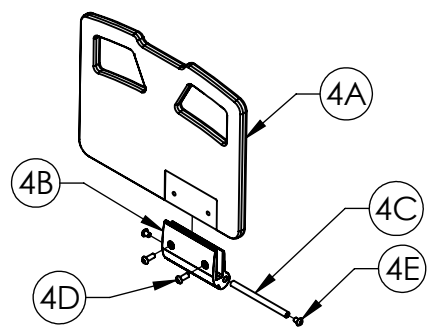
PART	PART #	DESCRIPTION	QTY.
2A	11013499	SIDE RAIL, FOOT, RIGHT	1
2B	11013503	SIDE RAIL MOUNT, ANODIZED	1
2C	11013505	SIDE RAIL PIVOT SHAFT	1
2D	12523774	BOLT, BH, 3/8-16 x 1	2
2E	12543717	SCREW,BUTTONHEAD, 3/8-16X.50"L	2
NS	12010060	LOCTITE®	1
NS	6150307	INSTALLATION INSTRUCTION, RIGHT FOOT RAIL, BARI10A	1



**ITEM 3 39000943AL Deck Length Extension Components**

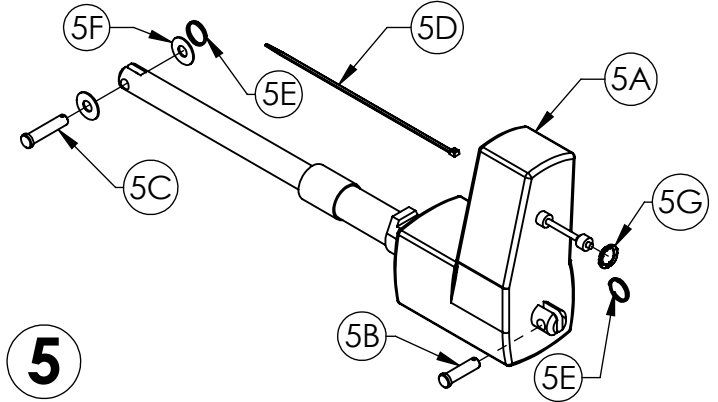
PART	PART #	DESCRIPTION	QTY.
3A	24006363AL	FOOT LENGTH EXTENDER FRAME	1
3B	24006379AL	FOOT LENGTH EXTENDER, LEFT	1
3C	24006380AL	FOOT LENGTH EXTENDER, RIGHT	1
3D	12809807	RING, KICKOUT	2
3E	11013517	FOOT LENGTH EXTENDER, ROD LEFT	2
3F	216-2269	JOERNS BARI10A, LABEL SET	1
3G	12523775	BOLT, BH, 5/16-18 x 1/2, SS	4
NS	12020042	TEFLON TAPE	7.5 FT
NS	6150289	INSTALLATION INSTRUCTIONS, DECK LENGTH EXT., BARI10A	1

"NS" = NOT SHOWN



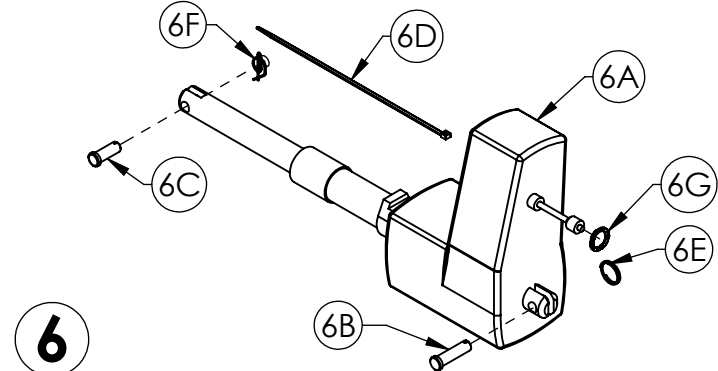
**ITEM 4 39000918 Left Foot Rail w/ Sub Assembly Components**

PART	PART #	DESCRIPTION	QTY.
4A	11013500	SIDE RAIL, FOOT, LEFT	1
4B	11013503	SIDE RAIL MOUNT, ANODIZED	1
4C	11013505	SIDE RAIL PIVOT SHAFT	1
4D	12523774	BOLT, BH, 3/8-16 x 1	2
4E	12543717	SCREW,BUTTONHEAD, 3/8-16X.50"L	2
NS	12010060	LOCTITE®	1
NS	6150300	INSTALLATION INSTRUCTION, LEFT FOOT RAIL, BARI10A	1



**ITEM 5 39001122 Back Actuator Components**

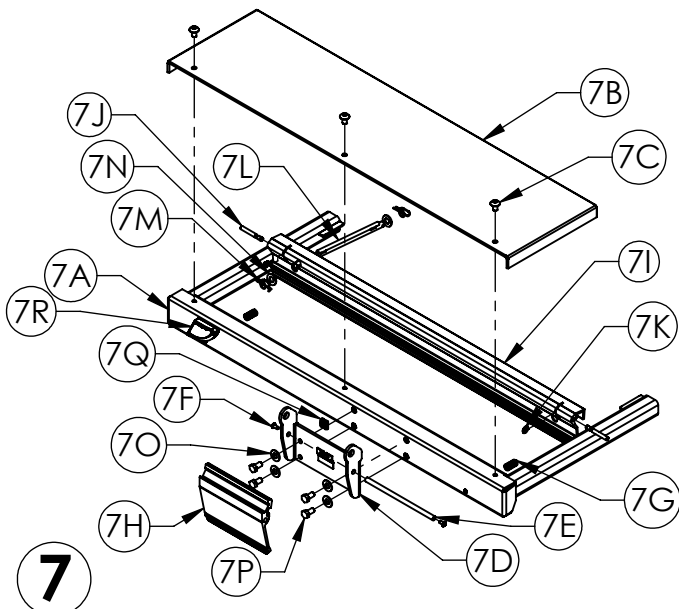
PART	PART #	DESCRIPTION	QTY.
5A	11013565	ACTUATOR, LA34, BACK	1
5B	11012238	PIN, SLEEP SURFACE PIVOT	1
5C	11012387	PIN, MOUNT	1
5D	12160281	TIE-CABLE	1
5E	12809807	RING, KICKOUT	2
5F	12849113	WASHER, FLAT	2
5G	12999049	LOCKING RING, MOTOR CABLE	1
NS	6150388	INSTALLATION INSTRUCTIONS, BARI10A, ACTUATOR, BACK	1



**ITEM 6 39001121 Foot Actuator Components**

PART	PART #	DESCRIPTION	QTY.
6A	11013564	ACTUATOR, LA34, KNEE	1
6B	11012238	PIN, SLEEP SURFACE PIVOT	1
6C	11012388	PIN, JOINT	1
6D	12160281	TIE-CABLE	2
6E	12809807	RING, KICKOUT	1
6F	12800032	RING, RUE	1
6G	12999049	LOCKING RING, MOTOR CABLE	1
NS	6150387	INSTALLATION INSTRUCTIONS, BARI10A, ACTUATOR, KNEE	1

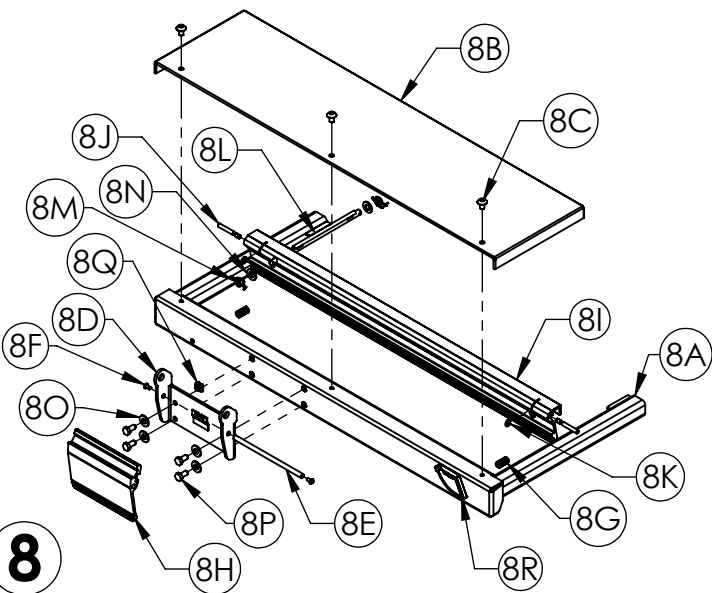
# MATTRESS SUPPORT PLATFORM SERVICE COMPONENTS BARI10A



7

**ITEM 7 39000923AL Slide Out Section, Right Head Components**

PART	PART #	DESCRIPTION	QTY.
7A	24006360AL	DEX WELDMENT, HEAD, RIGHT	1
7B	11013528AL	DEXT DECK, HEAD	1
7C	12523775	BOLT, BH 5/16-18 x 1/2, SS	3
7D	24006295AL	SIDE RAIL MOUNT WELDMENT	1
7E	11013504	SIDE RAIL RELEASE HANDLE, PIVOT SHAFT	1
7F	12541036	SCREW, BH 10-32 x 3/8, HEX DRIVE, SS	2
7G	12390119	SPRING, .48 x 1.475 x .38	2
7H	11013506	SIDE RAIL RELEASE HANDLE, ANO.	1
7I	11013513	EXT LATCH HANDLE, HEAD, ANO	1
7J	11013519	DECK EXTENSION HANDLE SHAFT	2
7K	12802502	E-RING, 1/4" SHAFT	2
7L	24006375	DECK EXTENDER LATCH ROD (3 PARTS)	1
7M	12800032	RUE RING	2
7N	12843789	WASHER, FLAT, STL, 3/8, BLACK	2
7O	12842789	WASHER, 5/16	4
7P	12543183	HEX BOLT, 5/16-18 x 5/8	4
7Q	12390120	SPRING, .24 O.D. x .56 LONG	2
7R	-	LEV-O-GAGE, 60 DEG, RH	1
NS	12010060	LOCTITE®	1
NS	12020042	TEFLON TAPE, 1/2 x .005 THK	32"
NS	6150308	INSTALLATION INSTRUCTIONS, RIGHT HAND DECK EXT., BARI10A	1



8

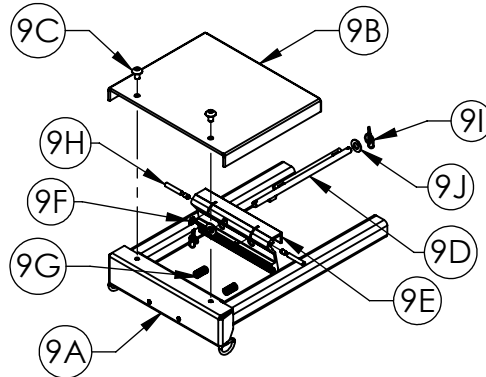
**ITEM 8 39000922AL Slide Out Section, Left Head Components**

PART	PART #	DESCRIPTION	QTY.
8A	24006361AL	DEX WELDMENT, HEAD, LEFT	1
8B	11013528AL	DEXT DECK, HEAD	1
8C	12523775	BOLT, BH 5/16-18 x 1/2, SS	3
8D	24006295AL	SIDE RAIL MOUNT WELDMENT	1
8E	11013504	SIDE RAIL RELEASE HANDLE, PIVOT SHAFT	1
8F	12541036	SCREW, BH 10-32 x 3/8, HEX DRIVE, SS	2

"NS" = NOT SHOWN

ITEM 8 CONTINUED

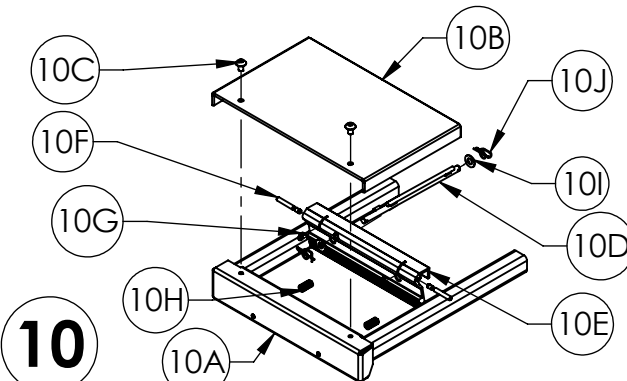
8G	12390119	SPRING, .48 x 1.475 x .38	2
8H	11013506	SIDE RAIL RELEASE HANDLE, ANO.	1
8I	11013513	EXT LATCH HANDLE, HEAD, ANO	1
8J	11013519	DECK EXTENSION HANDLE SHAFT	2
8K	12802502	E-RING, 1/4" SHAFT	2
8L	24006375	DECK EXTENDER LATCH ROD (3 PARTS)	1
8M	12800032	RUE RING	2
8N	12843789	WASHER, FLAT, STL, 3/8, BLACK	2
8O	12842789	WASHER, 5/16	4
8P	12543183	HEX BOLT, 5/16-18 x 5/8	4
8Q	12390120	SPRING, .24 O.D. x .56 LONG	2
8R	-	LEV-O-GAGE, 60 DEG, LH	1
NS	12010060	LOCTITE®	1
NS	12020042	TEFLON TAPE, 1/2 x .005 THK	32"
NS	6150301	INSTALLATION INSTRUCTIONS, LEFT HAND DECK EXT., BARI10A	1



9

**ITEM 9 39000924AL Seat Deck Extension Components**

PART	PART #	DESCRIPTION	QTY.
9A	24006373AL	DEX WELDMENT, SEAT	1
9B	11013534AL	DEXT DECK, SEAT	1
9C	12523775	BOLT, BH 5/16-18 x 1/2, SS	2
9D	24006375	DECK EXTENDER, LATCH ROD	1
9E	11013516	EXT. LATCH HANDLE, SEAT	1
9F	12802502	E-RING, BLACK	2
9G	12390119	COMPRESSION SPRING, .48 x 1.475 x .38	2
9H	11013519	DECK EXTENSION HANDLE SHAFT	2
9I	12800032	RING, RUE-22	2
9J	12843789	WASHER, FLAT, STL, 3/8, BLACK	2
NS	12020042	TEFLON TAPE, 1/2 x .005 THK	9.7"
NS	6150310	INSTALLATION INSTRUCTION, SEAT DECK EXT., BARI10A	1



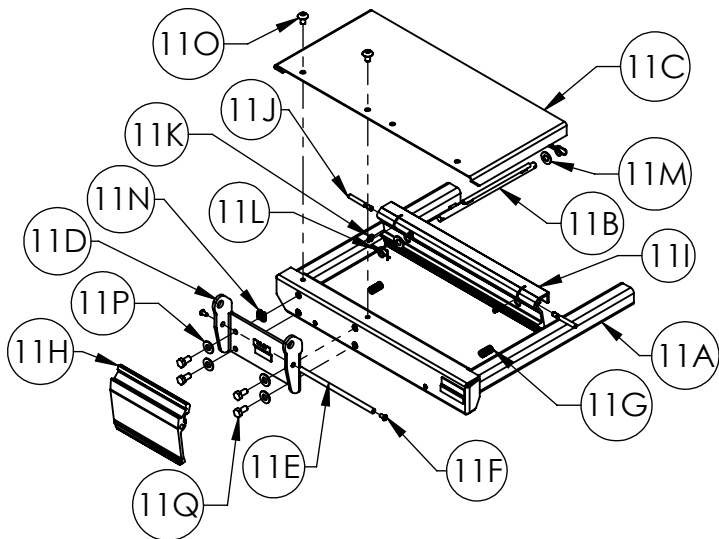
10

**ITEM 10 39000942AL Knee Deck Extension Components**

PART	PART #	DESCRIPTION	QTY.
10A	24006367AL	DEX WELDMENT, KNEE	1
10B	11013532AL	DEXT DECK, KNEE	1
10C	12523775	BOLT, BH, 5/16-18 x 1/2, SS	2
10D	24006375	DECK EXTENDER, LATCH ROD	1
10E	11013514	EXT. LATCH HANDLE, KNEE	1
10F	11013519	DECK EXTENSION, HANDLE SHAFT	2
10G	12802502	E-RING, BLACK	2
10H	12390119	COMPRESSION SPRING, .48 x 1.475 x .38W	2
10I	12843789	WASHER, FLAT, STL, 3/8, BLACK	2
10J	12800032	RUE RING	2
NS	12020042	TEFLON TAPE, 1/2 x .005 THK	12.5"
NS	6150298	INSTALLATION INSTRUCTIONS, KNEE EXT., BARI10A	1



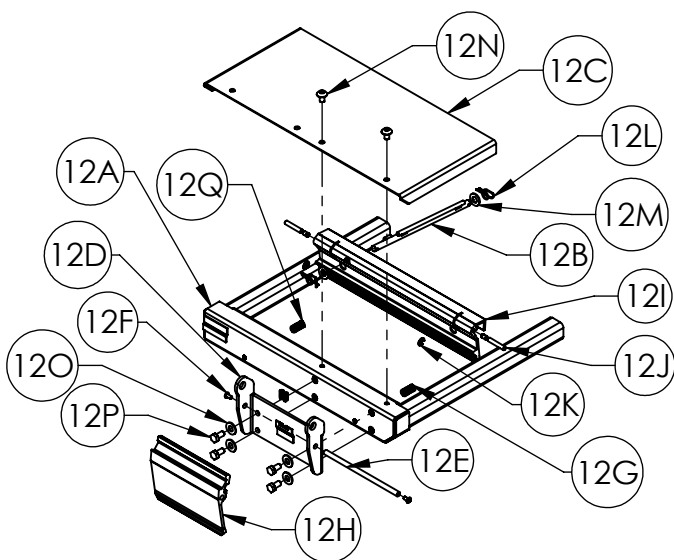
# MATTRESS SUPPORT PLATFORM SERVICE COMPONENTS BARI10A



11

### ITEM 11 39000941AL Right Foot Deck Extension Components

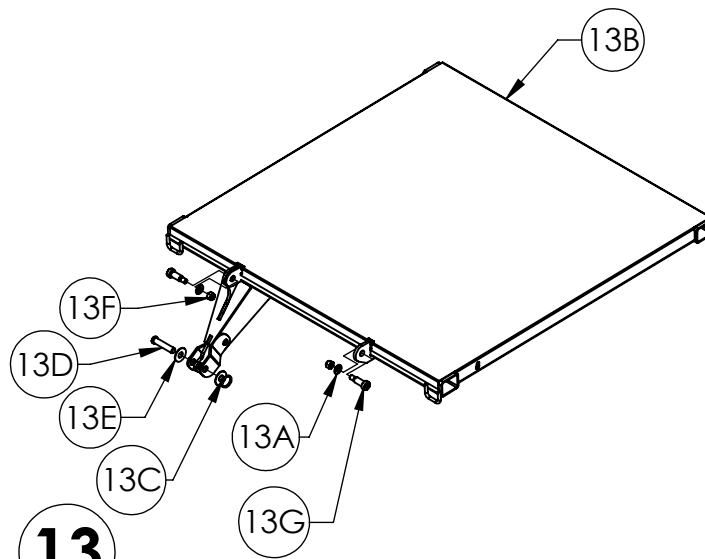
PART	PART #	DESCRIPTION	QTY.
11A	24006371AL	DEXT WELDMENT, FOOT RIGHT	1
11B	24006375	DECK EXTENDER, LATCH ROD	1
11C	11013533AL	DEXT DECK, FOOT	1
11D	24006295AL	SIDE RAIL MOUNT, WELDMENT	1
11E	11013504	SHAFT, SIDE RAIL, RELEASE HANDLE	1
11F	12541036	SCREW, BH 10-32 x .38	2
11G	12390119	SPRING, COMPRESSION, .48 x 1.475 x .38	2
11H	11013506	SIDE RAIL RELEASE HANDLE	1
11I	11013515	EXT. LATCH HANDLE FOOT	1
11J	11013519	DECK EXT., HANDLE SHAFT	2
11K	12802502	E-RING, BLACK	2
11L	12800032	RING, RUE-22	2
11M	12843789	WASHER, FLAT, STL, 3/8, BLACK	2
11N	12390120	SPRING, .24 x .56	31"
11O	12523775	BH, SCREW, 5/16-18 x 1/2	2
11P	12842789	WASHER, 5/16	4
11Q	12543183	BOLT, HEX 5/16-18 x .062	4
NS	12010060	LOCTITE®	1
NS	12020042	TEFLON TAPE, 1/2 x .005 THK	1
NS	6150306	INSTALLATION INSTRUCTIONS, RIGHT FOOT DECK, BARI10A	1



12

### ITEM 12 39000925AL Left Foot Deck Extension Components

PART	PART #	DESCRIPTION	QTY.
12A	24006370AL	DEXT WELDMENT, FOOT	1
12B	24006375	DECK EXTENDER, LATCH ROD	1
12C	11013533AL	DEXT DECK, FOOT	1
12D	24006295AL	SIDE RAIL MOUNT, WELDMENT	1
12E	11013504	SHAFT, SIDE RAIL, RELEASE HANDLE	1
12F	12541036	SCREW, BH 10-32 x .38	2
12G	12390119	SPRING, COMPRESSION, .48 x 1.475 x .38	2
12H	11013506	SIDE RAIL RELEASE HANDLE	1
12I	11013515	EXT. LATCH HANDLE FOOT	1
12J	11013519	DECK EXT., HANDLE SHAFT	2
12K	12802502	E-RING, BLACK	2
12L	12800032	RING, RUE-22	2
12M	12843789	WASHER, FLAT, STL, 3/8, BLACK	2
12N	12523775	BH, SCREW, 5/16-18 x 1/2	2
12O	12842789	WASHER, 5/16	4
12P	12543183	BOLT, HEX 5/16-18 x .062	4
12Q	12390120	SPRING, .24 x .56	1
NS	12020042	TEFLON TAPE, 1/2 x .005 THK	31"
NS	12010060	LOCTITE®	1
NS	6150299	INSTALLATION INSTRUCTIONS, LEFT FOOT DECK EXT., BARI10A	1

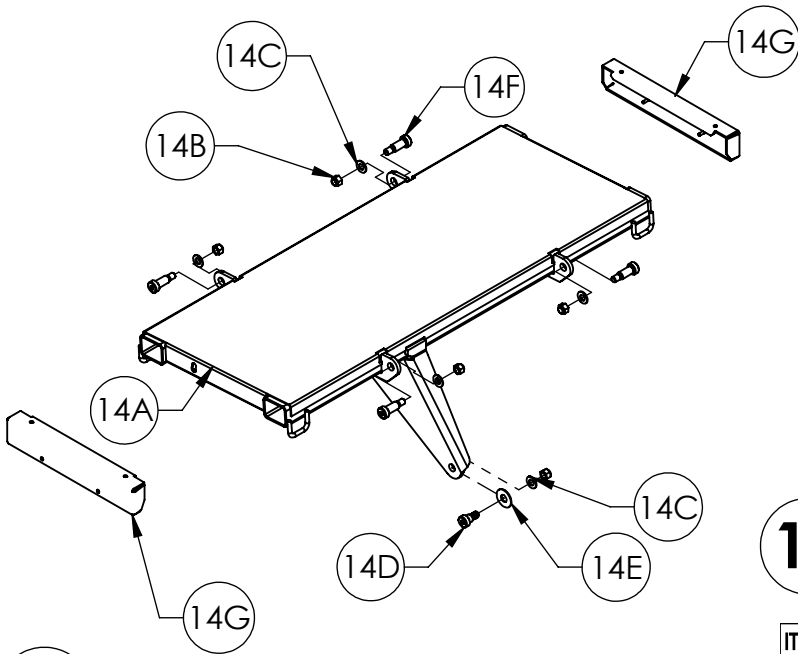


13

### ITEM 13 39001102AL Head Section Components

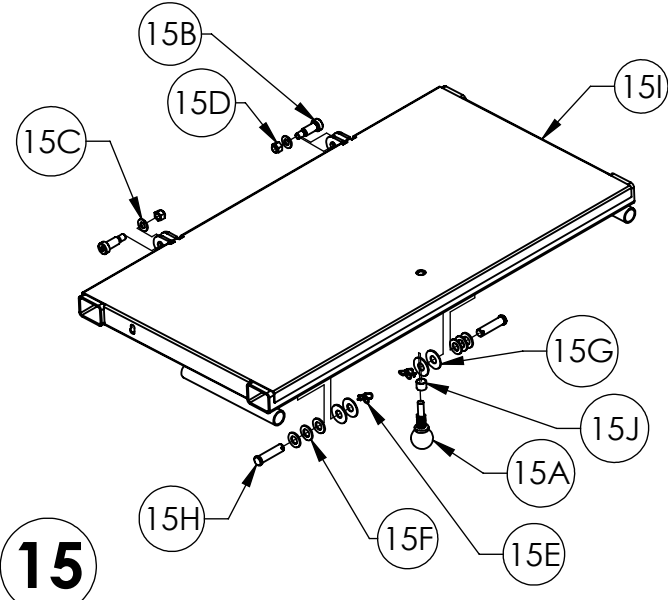
PART	PART #	DESCRIPTION	QTY.
13A	12843789	WASHER, FLAT STL 3/8 SAE BLK OX	4
13B	24006287AL	DECK SECTION-HEAD	1
13C	12809807	RING, KICKOUT	1
13D	11012387	PIN, MOUNT	1
13E	12849113	WASHER, FLAT,	2
13F	12673718	3/8-16 NYLOCK NUT	2
13G	12523777	SHOULDER BOLT, .50 X 1.00 LONG	2
NS	12800032	RING, RUE-22	2
NS	6150422	INSTALLATION INSTRUCTIONS, HEAD SECTION COMPONENTS	1

# MATTRESS SUPPORT PLATFORM SERVICE COMPONENTS BARI10A



**14**

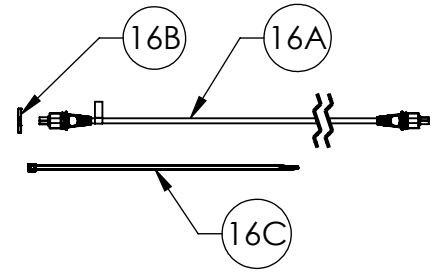
ITEM 14 39001103AL Knee Section Components			
PART	PART #	DESCRIPTION	QTY.
14A	24006366AL	DECK SECTION- KNEE	1
14B	12673718	3/8-16 NYLOCK NUT	5
14C	12843789	WASHER,FLAT STL 3/8 SAE BLK OX	7
14D	12523771	SHOULDER BOLT 0.50X 0.62 LONG	1
14E	12849113	WASHER, FLAT	1
14F	12523777	SHOULDER BOLT .50 X 1.00 LONG	4
14G	11013479	Dext SHEET METAL-KNEE	2
NS	12800032	RING, RUE-22	2
NS	6150423	INSTALLATION INSTRUCTIONS, KNEE DECK SECTION	1



**15**

ITEM 15 39001104AL Foot Section Components			
PART	PART #	DESCRIPTION	QTY.
15A	12999031	Quick Release Pin 1.5 in lg	1
15B	12523777	SHOULDER BOLT .50 X 1.00 LONG	2
15C	12843789	WASHER,FLAT STL 3/8 SAE BLK OX	2
15D	12673718	3/8-16 NYLOCK NUT	2
15E	12800032	RING, RUE	6
15F	12845007	WASHER, STEEL	6
15G	12849113	WASHER, FLAT	4
15H	12795002	CLEVIS PIN, 1/2X2.00 LONG	2
15I	24006366AL	DECK SECTION- FOOT	1
15J	11013518	COLLAR-RELEASE PIN	1
NS	12809807	KICK-OUT RING	2
NS	6150424	INSTALLATION INSTRUCTIONS, FOOT DECK SECTION	1

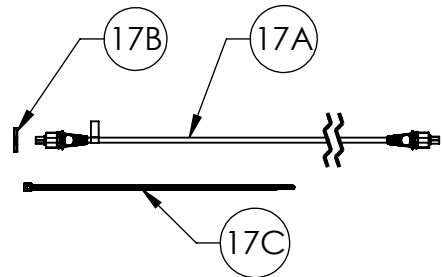
"NS"= NOT SHOWN  
"- "= INDIVIDUAL COMPONENTS NOT AVAILABLE



**16**

NOT SHOWN IN EXPLODED VIEWS (PAGE 1 OR PAGE 6)

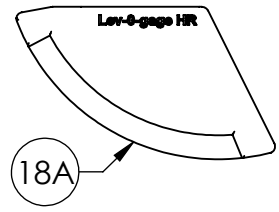
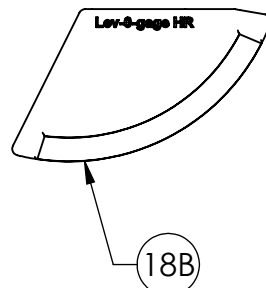
ITEM 16 39001135 Back Motor Cable Components			
PART	PART #	DESCRIPTION	QTY.
16A	-	CABLE, MOTOR, BACK	1
16B	-	LOCKING RING, MOTOR CABLE	1
16C	-	TIE, CABLE	9
NS	-	INSTALLATION INSTRUCTIONS, BARI10A, MOTOR CABLE	1



**17**

NOT SHOWN IN EXPLODED VIEWS (PAGE 1 OR PAGE 6)

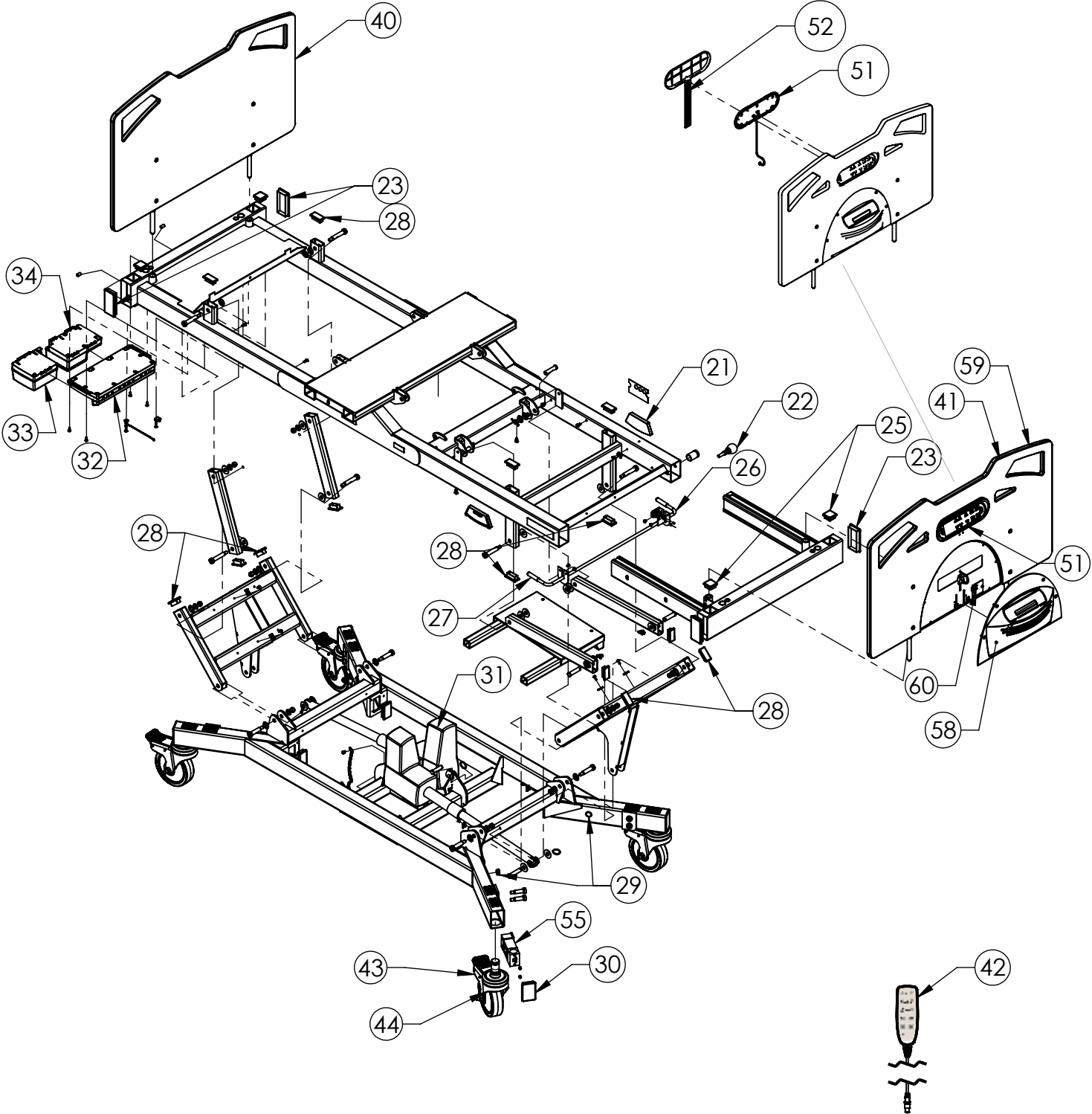
ITEM 17 39001136 Knee Motor Cable Components			
PART	PART #	DESCRIPTION	QTY.
17A	-	CABLE, MOTOR, KNEE	1
17B	-	LOCKING RING, MOTOR CABLE	1
17C	-	TIE, CABLE	10
NS	-	INSTALLATION INSTRUCTIONS, BARI10A, MOTOR CABLE	1



**18**

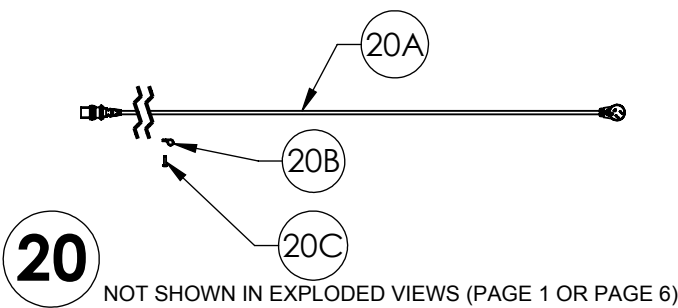
ITEM 18 N165 Head Section Angle Indicator Components			
PART	PART #	DESCRIPTION	QTY.
18A	-	LEV-O-GAGE, 60 DEG, RH	1
18B	-	LEV-O-GAGE, 60 DEG, LH	1
NS	-	INSTALLATION INSTRUCTIONS, ANGLE INDICATOR	1

# UPPER AND LOWER BED FRAME SERVICE COMPONENTS MODEL: BARI10A

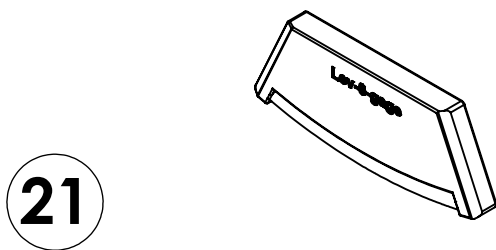


USE NUMBER BALLOONS ON THE PAGE TO MATCH TO CORRESPONDING BILL OF MATERIALS IN THE FOLLOWING PAGES

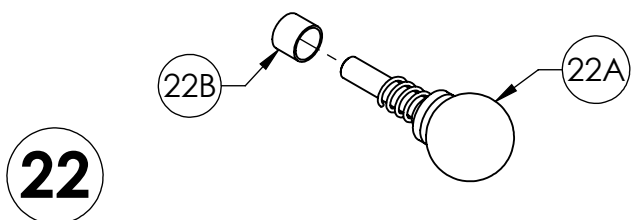
# UPPER AND LOWER BED FRAME SERVICE COMPONENTS BARI10A



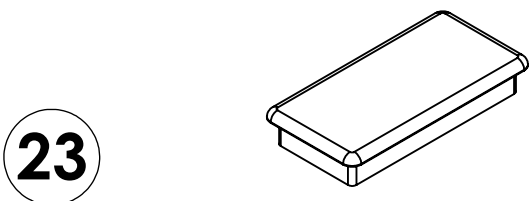
ITEM 20 39001134 Mains Cable Components			
PART	PART #	DESCRIPTION	QTY.
20A	-	CABLE, MAINS, CB20	1
20B	-	STRAIN RELIEF, HEYCO	1
20C	-	#10-32 X 3/4 TORX, THREAD FORMING	1
NS	-	INSTALLATION INSTRUCTIONS, BARI10A, MAINS CABLE	1



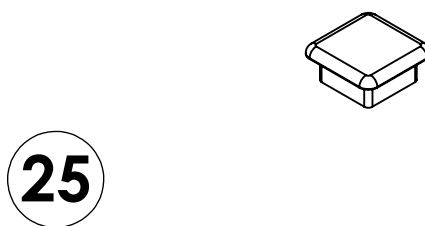
ITEM 21 39000937 Angle Indicator Components			
PART	PART #	DESCRIPTION	QTY.
21A	12999029	ANGLE INDICATOR/INCLINOMETER	1
NS	6150284	INSTALLATION INSTRUCTIONS, ANGLE INDICATOR, BARI10A	1



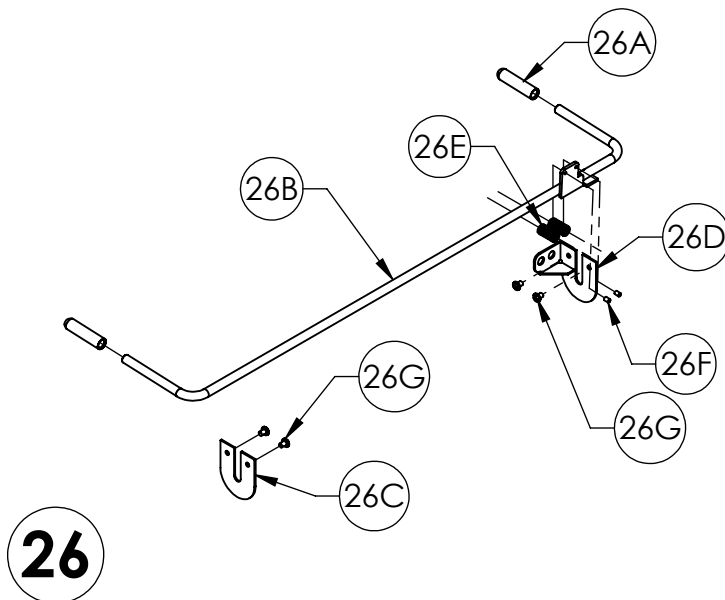
ITEM 22 39000920 Slide-Out Knob Components			
PART	PART #	DESCRIPTION	QTY.
22A	-	QUICK RELEASE PIN, 1.5IN.	1
22B	-	COLLAR-RELEASE PIN	1
NS	-	LOCTITE®	1



ITEM 23 39000935 End Cap 4 Components			
PART	PART #	DESCRIPTION	QTY.
23A	-	END CAP TUBE, 2" x 4"	4
NS	-	INSTALLATION INSTRUCTIONS, END CAP 2" x 4", BARI10A	1



ITEM 25 39000932 End Cap Components			
PART	PART #	DESCRIPTION	QTY.
25A	-	END CAP TUBE, 1.5" x 1.5"	4
NS	-	INSTALLATION INSTRUCTIONS, END CAP, 1/5" x 1.5", BARI10A	1



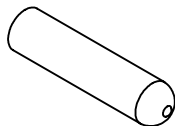
ITEM 26 39001071 CPR Handle Components			
PART	PART #	DESCRIPTION	QTY.
26A	12470482	RED CAP	2
26B	24006374	MANUAL RELEASE LEVER	1
26C	11013502	QUICK RELEASE MOUNT-PLAIN	1
26D	11013498	QUICK RELEASE MOUNT	1
26E	12390119	COMPRESSION SPRING	2
26F	12999028	STOP SLEEVE	2
26G	12544014	SCREW, PH	4
NS	11012751	CABLE, 68"	1
NS	11012752	CABLE, 48"	1
NS	6150382	INSTALLATION INSTRUCTIONS CPR	1

"NS" = NOT SHOWN  
 "-" = INDIVIDUAL COMPONENTS NOT AVAILABLE



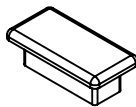
# UPPER AND LOWER BED FRAME SERVICE COMPONENTS BARI10A

27



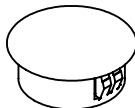
ITEM 27 39000939 CPR Handle Cap Components			
PART	PART #	DESCRIPTION	QTY.
27A	12470482	VINYL RED CAP, 3/8" ID x 2" LONG	2
NS	6150305	INSTALLATION INSTRUCTIONS, CPR HANDLE, BARI10A	1

28



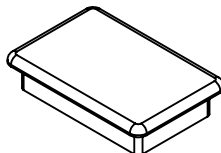
ITEM 28 39000933 End Cap 2 Components			
PART	PART #	DESCRIPTION	QTY.
28A	-	END CAP TUBE, 1" x 2"	14
NS	-	INSTALLATION INSTRUCTIONS, END CAP 1" x 2", BARI10A	1

29



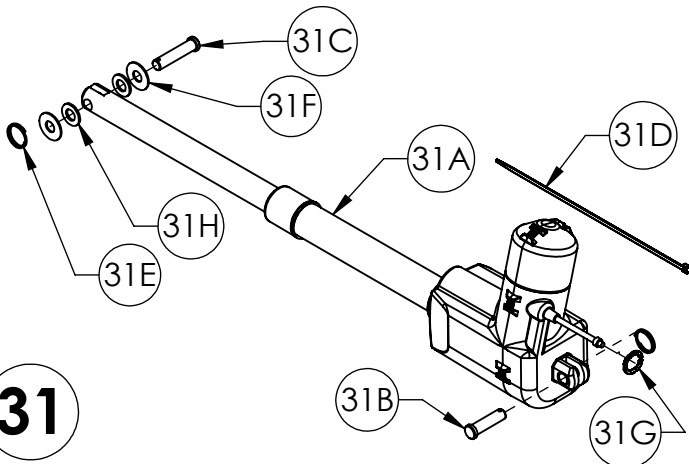
ITEM 29 39000938 Round Plug Components			
PART	PART #	DESCRIPTION	QTY.
29A	-	PRESS ON FITTING, BARI10A	1
NS	-	INSTALLATION INSTRUCTIONS, ROUND PLUG, BARI10A	1

30



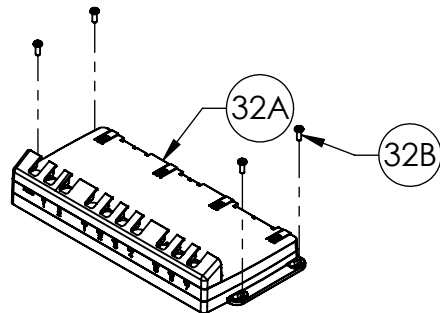
ITEM 30 39000934 End Cap 3 Components			
PART	PART #	DESCRIPTION	QTY.
30A	-	END CAP TUBE, 2" x 3"	4
NS	-	INSTALLATION INSTRUCTIONS, END CAP 2" x 3", BARI10A	1

31



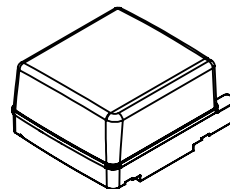
ITEM 31 39001120 Hi-Low Actuators Components			
PART	PART #	DESCRIPTION	QTY.
31A	11013566	ACTUATOR, LA-34, HI-LO	1
31B	11012238	PIN, SLEEP SURFACE PIVOT	1
31C	11012387	PIN, MOUNT	1
31D	12160281	TIE, CABLE	3
31E	12809807	RING, KICKOUT	2
31F	12849113	WASHER, FLAT	2
31G	12999049	LOCKING RING, MOTOR CABLE	1
31H	12845007	WASHER, STEEL	2
NS	6150386	INSTALLATION INSTRUCTIONS, BARI10A, ACTUATOR, HI-LOW	1

32



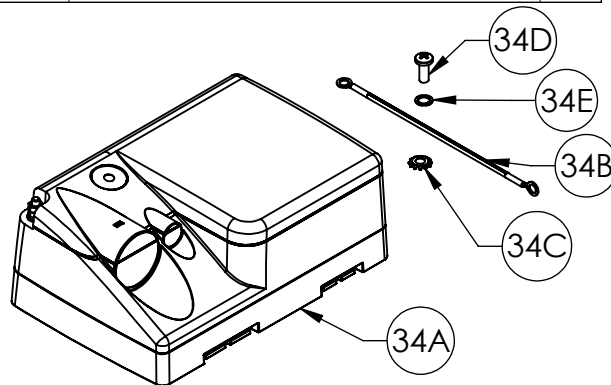
ITEM 32 39001131 Control Box Base Components			
PART	PART #	DESCRIPTION	QTY.
32A	-	CONTROLLER UNIT, CU20	1
32B	-	SCREW, #10-24 X 1/2 PPHTT BLK	4
NS	-	INSTALLATION INSTRUCTIONS, BARI10A, CONTROL SYSTEM	1

33



ITEM 33 11013559 Battery Components			
PART	PART #	DESCRIPTION	QTY.
33A	-	BATTERY, BA20	1

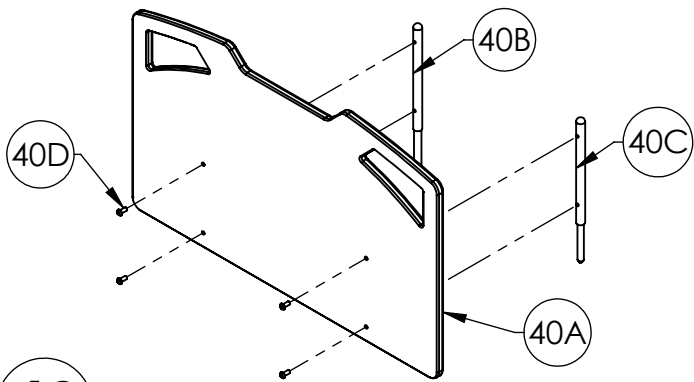
34



ITEM 34 39001123 Control Box Power Unit Components			
PART	PART #	DESCRIPTION	QTY.
34A	-	CONTROLLER POWER, CP20	1
34B	-	WIRE ASSEMBLY, 18AWG, GREEN/YELLOW	1
34C	-	WASHER, EXT TOOTH LOCK #10	1
34D	-	SCREW, #10-16 X 1/2" HWH TEK SCR	1
34E	-	WASHER, SPLIT LOCK, #10	1
NS	-	INSTALLATION INSTRUCTIONS, BARI10A, CONTROL SYSTEM	1

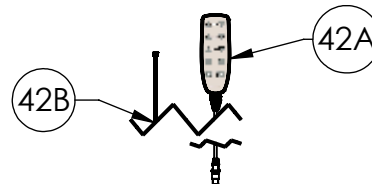
"NS" = NOT SHOWN  
 "-" = INDIVIDUAL COMPONENTS NOT AVAILABLE

## UPPER AND LOWER BED FRAME SERVICE COMPONENTS BARI10A



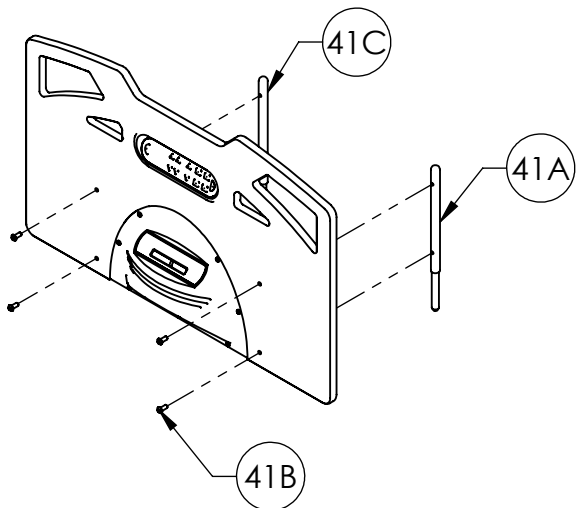
**40**

ITEM 40 39000921 Head Panel w/ Post Components			
PART	PART #	DESCRIPTION	QTY.
40A	11013509	HEAD PANEL W/POSTS	1
40B	11013507	HEADBOARD SUPPORT, LG, RD, RT	1
40C	11013508	HEADBOARD SUPPORT, SML, RD, LT	1
40D	12523776	BOLT, BH 5/16-18 x 3/4, SS	4
NS	6150296	INSTALLATION INSTRUCTION, HEAD PANEL, BARI10A	1



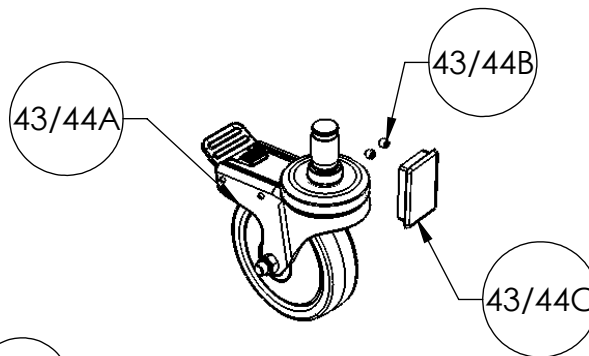
**42**

ITEM 42 39001124 Pendant Control Components			
PART	PART #	DESCRIPTION	QTY.
42A	-	PENDANT	1
42B	-	TIE, CABLE	5
NS	-	INSTALLATION INSTRUCTIONS, BARI10A, PENDANT	1



**41**

ITEM 41 39001119 Complete Foot Panel Components			
PART	PART #	DESCRIPTION	QTY.
41A	11013507	HEADBOARD SUPPORT, GF	1
41B	12523776	SCREW, BH, 5/16-18 X 3/4 LG	4
41C	11013508	HEADBOARD SUPPORT, SML	1
41D	-	WIRE TIE MOUNT	2
41E	-	SCREW, BH, 10-32X62 LG	7
41F	-	CIRCUIT BOARD, POWER CONDITIONING	1
41G	-	FOOT PANEL, BARI10A W/STAFF CONTROL	1
41H	-	COVER, SCALE DISPLAY	1
41I	-	ASSEMBLY, STAFF, FRONT	1
41J	-	SCREW, #6 X 3/8 PHIL PN HD SMS	4
41K	-	GROMMET, STAFF AND SCALE	1
41L	-	SCREW, TPHTF, 6-19 X 1/2"	10
41M	-	ASSEMBLY, SEAL COVER AND CABLE	1
41N	-	COVER, CABLE, STAFF CONTROL	1
41O	-	COVER, REAR, STAFF CONTROL	1
41P	-	BARI10A BED SCALE MEMBRANE	1
NS	-	SCREW, FH, PHILLIPS 6-32 X 3/8" ZINC/STL	2
NS	-	CORD, PANEL MOUNT	1
NS	-	ASSEMBLY, SCALE DISPLAY, BARI10A	1
NS	6150425	INSTALLATION INSTRUCTIONS, FOOT PANEL WITH STAFF	1



**43**

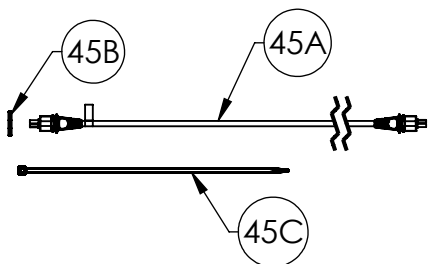
ITEM 43 39001312 Caster Components (Full Install)			
PART	PART #	DESCRIPTION	QTY.
43A	11014433	CASTER, 6" TOTAL LOCK	4
43B	12593109	SET SCREW 5/16-18 UNC X 3/8LG	8
43C	12470480	END CAP TUBE 2X3X 125	4
NS	12010060	LOCTITE® SMALL, B10A KITS	1
NS	6150380	INST. INSTALL, BARI10A CASTER	1

**44**

ITEM 44 39001313 Caster Components (Single Replacement)			
PART	PART #	DESCRIPTION	QTY.
44A	11014433	CASTER, 6" TOTAL LOCK	1
44B	12593109	SET SCREW 5/16-18 UNC X 3/8LG	2
44C	12470480	END CAP TUBE 2X3X 125	1
NS	12010060	LOCTITE® SMALL, B10A KITS	1
NS	6150380	INST. INSTALL, BARI10A CASTER	1

"NS" = NOT SHOWN  
"-" = INDIVIDUAL COMPONENTS NOT AVAILABLE

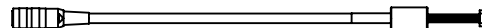
# UPPER AND LOWER BED FRAME SERVICE COMPONENTS BARI10A



**45**

NOT SHOWN IN EXPLODED VIEWS (PAGE 1 OR PAGE 6)

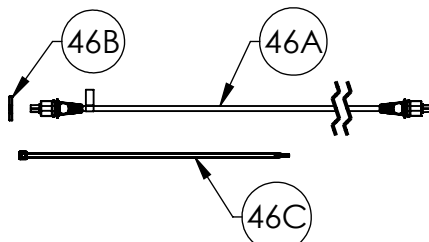
ITEM 45 39001132 Foot Hi-Lo Actuator Cable			
PART	PART #	DESCRIPTION	QTY.
45A	-	CABLE, MOTOR, FOOT	1
45B	-	LOCKING RING, MOTOR CABLE	1
45C	-	TIE-CABLE	10
NS	-	INSTALLATION INSTRUCTIONS, BARI10A, MOTOR CABLE	1



**50**

NOT SHOWN IN EXPLODED VIEWS (PAGE 1 OR PAGE 6)

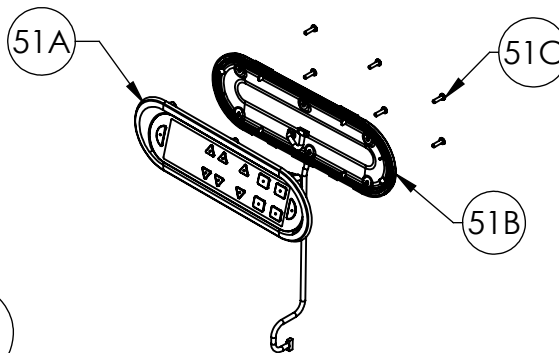
ITEM 50 39001127 Panel Mount Cable Components			
PART	PART #	DESCRIPTION	QTY.
50A	11013604	CORD, PANEL MOUNT	1
NS	12500027	SEALANT	1
NS	6150395	INSTALLATION INSTRUCTIONS, BARI10A, STAFF CONTROL	1



**46**

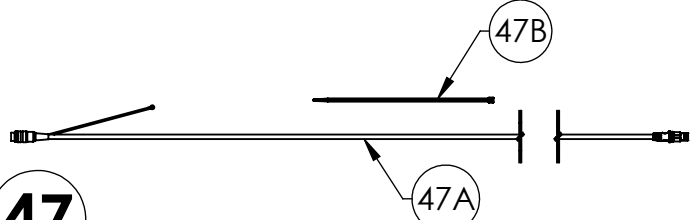
NOT SHOWN IN EXPLODED VIEWS (PAGE 1 OR PAGE 6)

ITEM 46 39001137 Head Hi-Lo Actuator Cable			
PART	PART #	DESCRIPTION	QTY.
46A	-	CABLE, MOTOR, HEAD	1
46B	-	LOCKING RING, MOTOR CABLE	1
46C	-	TIE, CABLE	10
NS	-	INSTALLATION INSTRUCTIONS, BARI10A, MOTOR CABLE	1



**51**

ITEM 51 39001128 Staff Control Components			
PART	PART #	DESCRIPTION	QTY.
51A	31009141	ASSEMBLY, STAFF, FRONT, ADV, SOFT TONE	1
51B	31009139	ASSEMBLY, SEAL COVER AND CABLE	1
51C	12551231	SCREW, #6-19 X 1/2 PHTFS TORX	10
NS	11013605	GROMMET, STAFF AND SCALE	1
NS	12500027	SEALANT	1
NS	6150395	INSTALLATION INSTRUCTIONS, BARI10A, STAFF CONTROL	1



**47**

NOT SHOWN IN EXPLODED VIEWS (PAGE 1 OR PAGE 6)

ITEM 47 39001138 Control Harness Components			
PART	PART #	DESCRIPTION	QTY.
47A	-	CONTROL CABLE A	1
47B	-	TIE, CABLE	13
NS	-	INSTALLATION INSTRUCTIONS, BARI10A CONTROL HARNESS	1

**48**

IMAGE NOT AVAILABLE

NOT SHOWN IN EXPLODED VIEWS (PAGE 1 OR PAGE 6)

ITEM 48 39001149 Scale Crossover Cable Components			
PART	PART #	DESCRIPTION	QTY.
48A	-	CABLE, CROSSOVER, SCALE	1
48B	-	TIE, CABLE	2

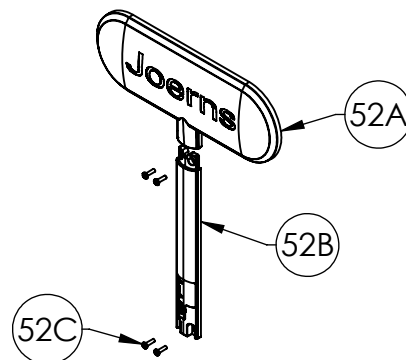
**49**

IMAGE NOT AVAILABLE

NOT SHOWN IN EXPLODED VIEWS (PAGE 1 OR PAGE 6)

ITEM 49 39001150 Scale System Connection Cable Components			
PART	PART #	DESCRIPTION	QTY.
49A	-	CABLE, CONNECTION, SCALE	1
49B	-	TIE, CABLE	6

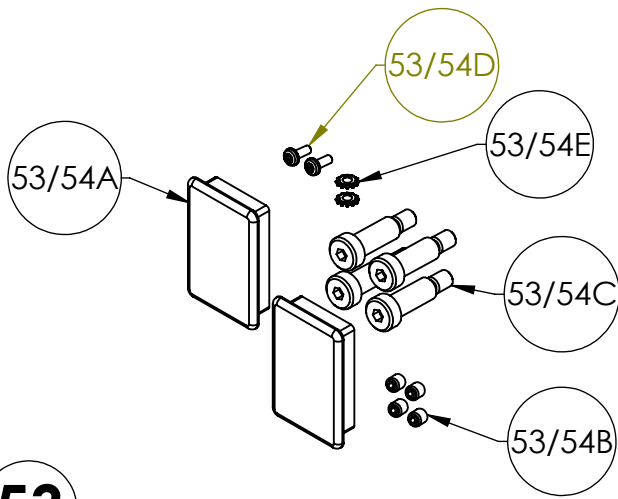
**52**



ITEM 52 39001129 Staff Control Cover Components			
PART	PART #	DESCRIPTION	QTY.
52A	11013614	COVER, REAR, STAFF CONTROL, SOFT TONE	1
52B	11013615	COVER, CABLE, STAFF CONTROL, SOFT TONE	1
52C	12551231	SCREW, #6-19 X 1/2 PHTFS TORX	4
NS	6150395	INSTALLATION INSTRUCTIONS, BARI10A, STAFF CONTROL	1

"NS" = NOT SHOWN  
"-" = INDIVIDUAL COMPONENTS NOT AVAILABLE

# UPPER AND LOWER BED FRAME SERVICE COMPONENTS BARI10A



**53**

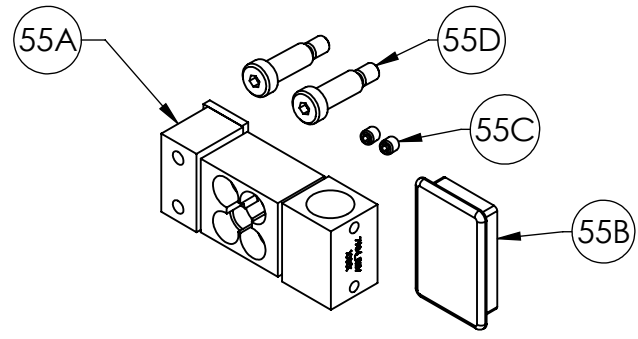
NOT SHOWN IN EXPLODED VIEWS (PAGE 1 OR PAGE 6)

ITEM 53 39001151 Right Side Scale Cable Components			
PART	PART #	DESCRIPTION	QTY.
53A	12470480	END CAP TUBE, 2" X 3" X .125"	2
53B	12593109	SET SCREW, 5/16-18 X 3/8"	4
53C	12523773	SHOULDER BOLT, 0.50 X 1.25	4
53D	12551009	SCREW, #10-24 X 1/2 PPHTFS	2
53E	12851001	WASHER, EXT. LOCK, #10	2
NS	11013791	ASSEMBLY, CABLE, LOAD CELL, RIGHT	1
NS	12010060	LOCTITE®, SMALL, B10A KITS	1
NS	6150415	INSTALLATION INSTRUCTIONS, SCALE CABLE	1

**54**

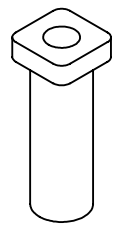
NOT SHOWN IN EXPLODED VIEWS (PAGE 1 OR PAGE 6)

ITEM 54 39001152 Left Side Scale Cable Components			
PART	PART #	DESCRIPTION	QTY.
54A	12470480	END CAP TUBE, 2" X 3" X .125"	2
54B	12593109	SET SCREW, 5/16-18 X 3/8"	4
54C	12523773	SHOULDER BOLT, 0.50 X 1.25	4
54D	12551009	SCREW, #10-24 X 1/2 PPHTFS	2
54E	12851001	WASHER, EXT. LOCK, #10	2
NS	11013792	ASSEMBLY, CABLE, LOAD CELL, LEFT	1
NS	12010060	LOCTITE®, SMALL, B10A KITS	1
NS	6150415	INSTALLATION INSTRUCTIONS, SCALE CABLE	1



**55**

ITEM 55 39001105 Load Cell Components			
PART	PART #	DESCRIPTION	QTY.
55A	11013761	LOAD CELL, SINGLE	1
55B	12470480	END CAP TUBE, 2" X 3" X .125"	1
55C	12593109	SET SCREW, 5/16-18 X 3/8"	2
55D	12523773	SHOULDER BOLT, 0.50 X 1.25"	2
NS	12010060	LOCTITE®, SMALL, B10A KITS	1
NS	6150408	INSTALLATION INSTRUCTIONS, BARI10A, LOAD CELL KIT	1



**56**

NOT SHOWN IN EXPLODED VIEWS (PAGE 1 OR PAGE 6)

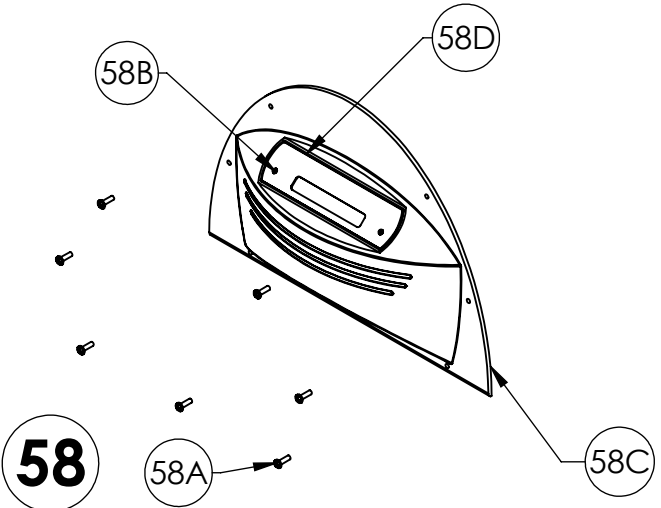
ITEM 56 39001017 IV Rod Components			
PART	PART #	DESCRIPTION	QTY.
56A	11013237	IV ROD HOLDER, BARI10A, 3/4"	1
NS	6150282	INSTALLATION INSTRUCTIONS, IV ROD, BARI10A	1

**57**

NOT SHOWN

NOT SHOWN IN EXPLODED VIEWS (PAGE 1 OR PAGE 6)

ITEM 57 Touch Up Paint			
PART	PART #	DESCRIPTION	QTY.
NS	18000235	TOUCH UP PAINT, SOFT TONE	1



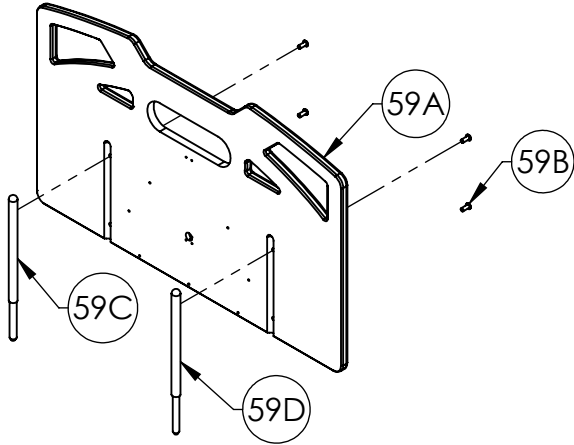
**58**

ITEM 58 39001125 Foot Panel Electronic Components			
PART	PART #	DESCRIPTION	QTY.
58A	12544016	SCREW, BH, 10-32X.62 LG	7
58B	-	SCREW, FH, PHILLIPS 6-32 X 3/8" ZINC/STL	2
58C	-	COVER, SCALE DISPLAY	1
58D	-	BARI10A BED SCALE MEMBRANE	1
NS	-	ASSEMBLY, SCALE DISPLAY, BARI10A	1
NS	12500027	SEALANT	1
NS	6150396	INSTALLATION INSTRUCTIONS, FOOT PANEL COMPONENTS	1

"NS" = NOT SHOWN

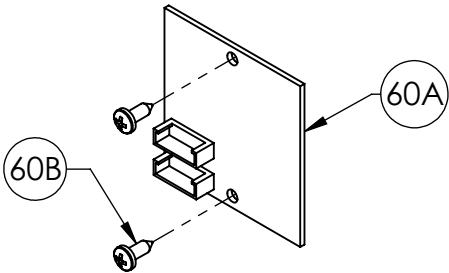
"-" = INDIVIDUAL COMPONENTS NOT AVAILABLE

UPPER AND LOWER BED FRAME  
SERVICE COMPONENTS  
BARI10A



59

ITEM 59 39001126 Foot Panel Components			
PART	PART #	DESCRIPTION	QTY.
59A	11013609	FOOT PANEL, BARI10A, W/ STAFF CONTROL	1
59B	12523776	SCREW, BH, 5/16-18 X 3/4 LG	4
59C	11013507	HEADBOARD SUPPORT, LG	1
59D	11013508	HEADBOARD SUPPORT, SML	1
NS	12500027	SEALANT	1
NS	6150396	INSTALLATION INSTRUCTIONS, BARI10A, FOOT PANEL	1

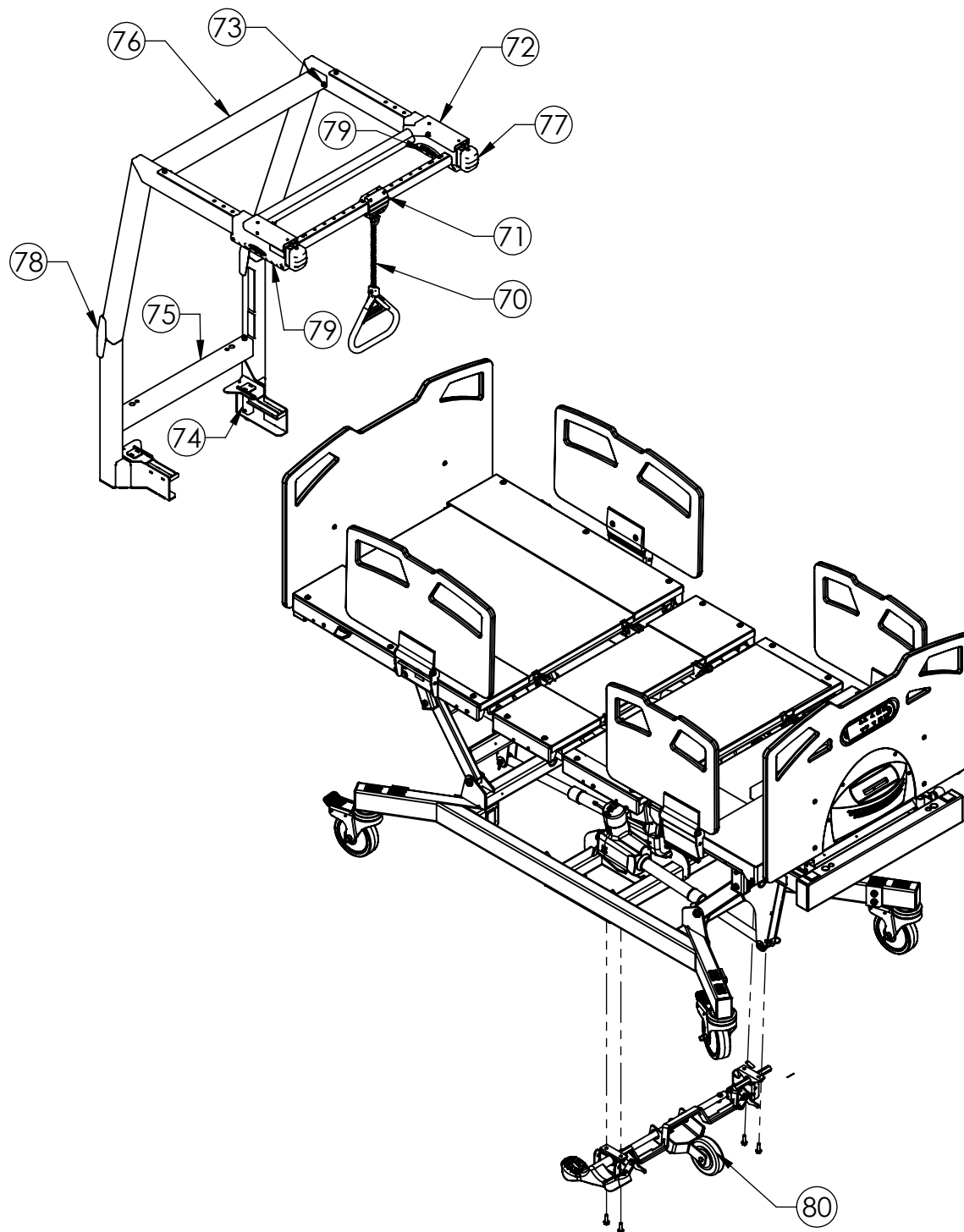


60

ITEM 60 39001148 Power Conditioning Board Components			
PART	PART #	DESCRIPTION	QTY.
60A	11013606	CIRCUIT BOARD, POWER CONDITIONING	1
60B	12570618	SCREW, #6 X 3/8 PHIL PN HD SMS	2
NS	12500027	SEALANT	1
NS	6150407	INSTALLATION INSTRUCTIONS, POWER CONDITIONING BOARD	1

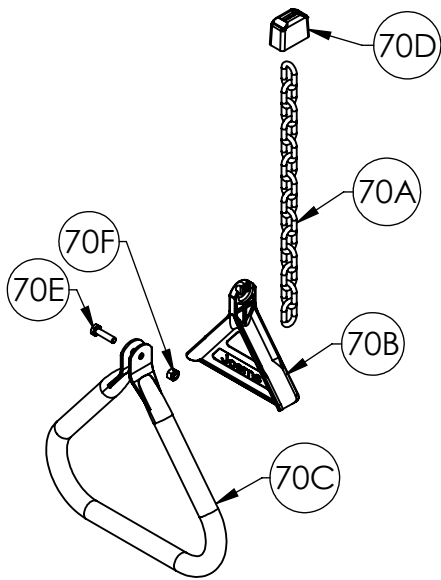


# PATIENT HELPER AND 5th WHEEL SERVICE COMPONENTS MODELS: BARI10A



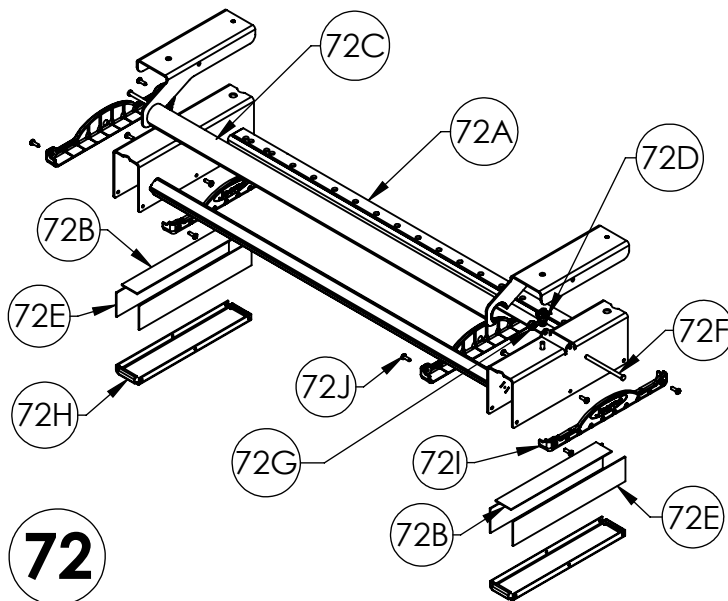
USE NUMBER BALLOONS ON THIS PAGE TO MATCH TO CORRESPONDING BILL OF MATERIALS ON THE FOLLOWING PAGES.

## PATIENT HELPER AND 5th WHEEL SERVICE COMPONENTS BARI10A



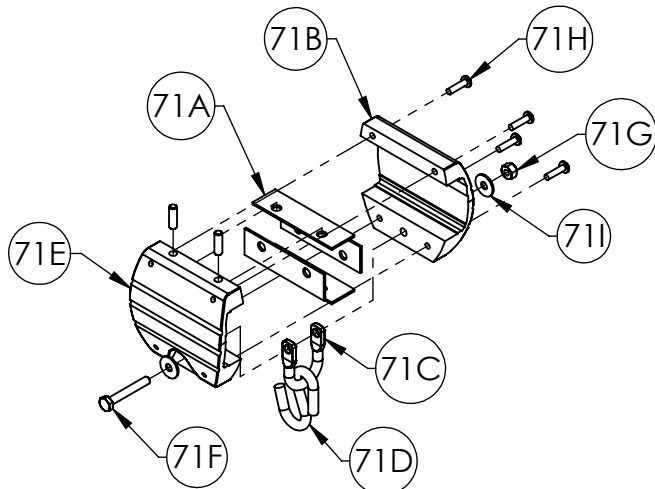
**70**

ITEM 70 39000952 Patient Helper Handle Components			
PART	PART #	DESCRIPTION	QTY.
70A	-	WELDED CHAIN, 800-lb CAP	1
70B	-	TRAPEZE HANDLE GUSSET	1
70C	-	HANDLE	1
70D	-	BOOT	1
70E	-	TRAPEZE INSERT BOLT 1/4-20 x 1 GRADE 5	1
70F	-	1/4-20 LOCK NUT	1



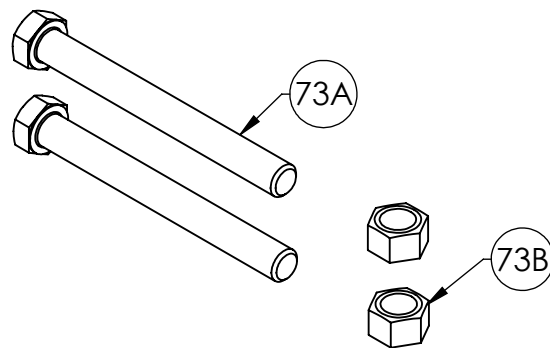
**72**

ITEM 72 39000954 Patient Helper Handle Carriage Assembly Components			
PART	PART #	DESCRIPTION	QTY.
72A	-	CROSS BAR WELDED ASSM	1
72B	-	SLIDER TOP STRIP	2
72C	-	ROCKER WELDED ASSM	1
72D	-	ROCKER SPRING	2
72E	-	SLIDER SLIDE STRIP	4
72F	-	ROCKER PIVOT PIN	2
72G	-	ROCKER PIVOT RIM RETAINER	2
72H	-	BOTTOM PLATE	2
72I	-	SLIDER BOTTOM CAP	4
72J	-	BOTTOM CAP FASTENER, #10-32 x 5/8" 6-LOBE PAN HD TRI-LOBE THRD FORMING SCREW, CLEAR ZINC	12



**71**

ITEM 71 39000953 Patient Helper Handle Slider Components			
PART	PART #	DESCRIPTION	QTY.
71A	-	HANDLE SLIDE STRIP	4
71B	-	HANDLE EXTR REAR MACHINED	1
71C	-	U-CLEVIS	1
71D	-	S-HOOK	1
71E	-	HANDLE EXTR. FRONT MACHINED	1
71F	-	CLEVIS BOLT 1/4-20 x 1 3/4 GRADE 5	1
71G	-	1/4-20 LOCKNUT	1
71H	-	310-32 x 3/4" 6-LOBE PAN HD MACH SCREW	4
71I	-	WASHER, NYLON 3/4 X .260 X .06	4

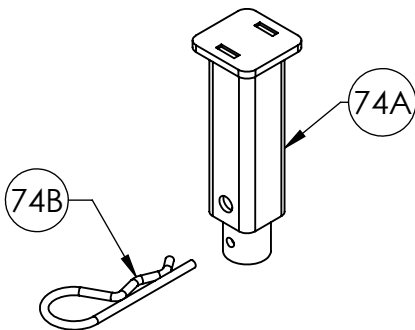


**73**

ITEM 73 39000955 Patient Helper Stretcher Bolt Components			
PART	PART #	DESCRIPTION	QTY.
73A	-	REAR STRETCHER BOLT, 3/8-16 x 3 1/2" GRADE 5	2
73B	-	NYLON INSERT LOCKNUT, 3/8-16 UNC	2

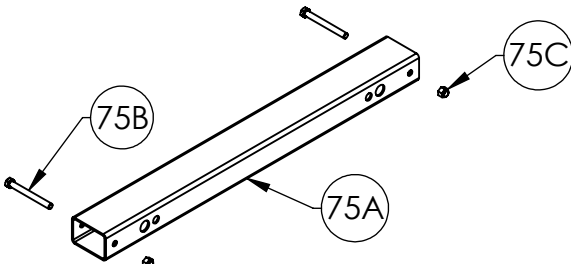
# PATIENT HELPER AND 5th WHEEL SERVICE COMPONENTS BARI10A

74



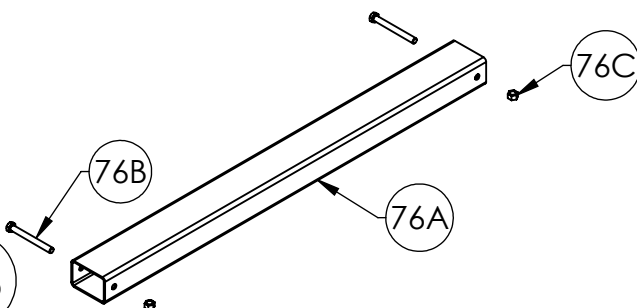
ITEM 74 39000956 Patient Helper Frame Pin Components			
PART	PART #	DESCRIPTION	QTY.
74A	-	PIN WELDMENT	1
74B	-	PIN WELDMENT FASTENER, HAIRPIN CLIP	1

75



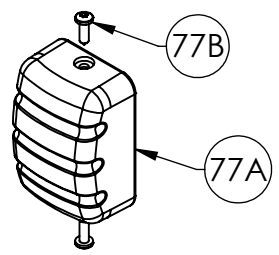
ITEM 75 39000957 Patient Helper Lower Stretcher Components			
PART	PART #	DESCRIPTION	QTY.
75A	-	LOWER STRETCHER	1
75B	-	REAR STRETCHER BOLT, 3/8-16 x 3 1/2" GRADE 5	2
75C	-	NYLON INSERT LOCKNUT, 3/8-16 UNC	2

76



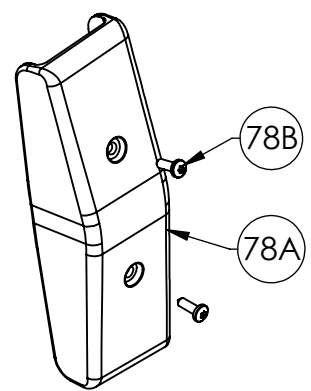
ITEM 76 39000958 Patient Helper Upper Stretcher Components			
PART	PART #	DESCRIPTION	QTY.
76A	-	REAR STRETCHER	1
76B	-	REAR STRETCHER BOLT, 3/8-16 x 3 1/2" GRADE 5	2
76C	-	NYLON INSERT LOCKNUT, 3/8-16 UNC	2

77



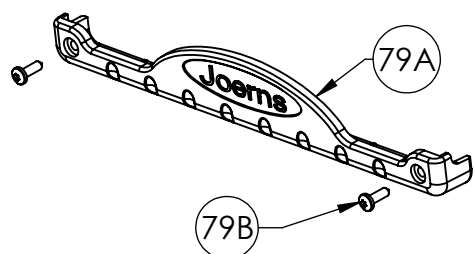
ITEM 77 39000959 Patient Helper Frame End Cap Components			
PART	PART #	DESCRIPTION	QTY.
77A	-	TUBE END CAP	1
77B	-	BOTTOM CAP FASTENER, #10-32 x 5/8" 6-LOBE PAN HD TRI-LOBE THRD FORMING SCREW, CLEAR ZINC	2

78



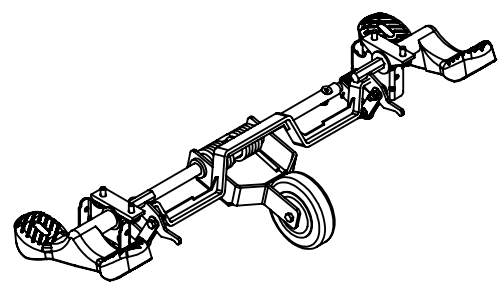
ITEM 78 39000960 Patient Helper Angle Cap Components			
PART	PART #	DESCRIPTION	QTY.
78A	-	FRAME ANGLE CAP	1
78B	-	BOTTOM CAP FASTENER, #10-32 x 5/8" 6-LOBE PAN HD TRI-LOBE THRD FORMING SCREW, CLEAR ZINC	2

79



ITEM 79 39000961 Patient Helper Slider Cap Components			
PART	PART #	DESCRIPTION	QTY.
79A	-	SLIDER BOTTOM CAP	1
79B	-	BOTTOM CAP FASTENER #10-32 x 5/8" 6-LOBE PAN HD TRI-LOBE THRD FORMING SCREW, CLEAR ZINC	2

80



ITEM 80 N175 5th Wheel Assembly/Components			
PART	PART #	DESCRIPTION	QTY.
80A	-	ASSM, 5TH WHEEL	1
NS	-	LABEL, 5TH WHEEL ACTIVATION, RIGHT	1
NS	-	LABEL, SCALE ACCURACY, WARNING	1
NS	-	LABEL, 5TH WHEEL ACTIVATION, LEFT	1
NS	-	USER MANUAL	1

"NS" = NOT SHOWN  
 "-" = INDIVIDUAL COMPONENTS NOT AVAILABLE

Notes:



**Post Acute, Acute, HomeCare**  
2430 Whitehall Park Dr. Ste 100  
Charlotte, NC 28273  
(P) 800.826.0270  
(F) 800.457.8827

**VA/Government**  
19748 Dearborn Street  
Chatsworth, CA 91311  
(P) 800.966.6662  
(F) 800.232.9796

**Canadian Office**  
1000 Clarke Rd. Ste 6  
London, ON Canada N5V 3A9  
(P) 866.546.1151  
(F) 519.451.8662

**United Kingdom and  
Other Countries**  
+44 (0)844 811 1156  
+44 (0)844 811 1157

**Netherlands**  
+31 (0)30 6363700  
+31 (0)30 6363799