

# Parts Catalog



## ICC Carroll CS9 FX600 Bed Service Parts

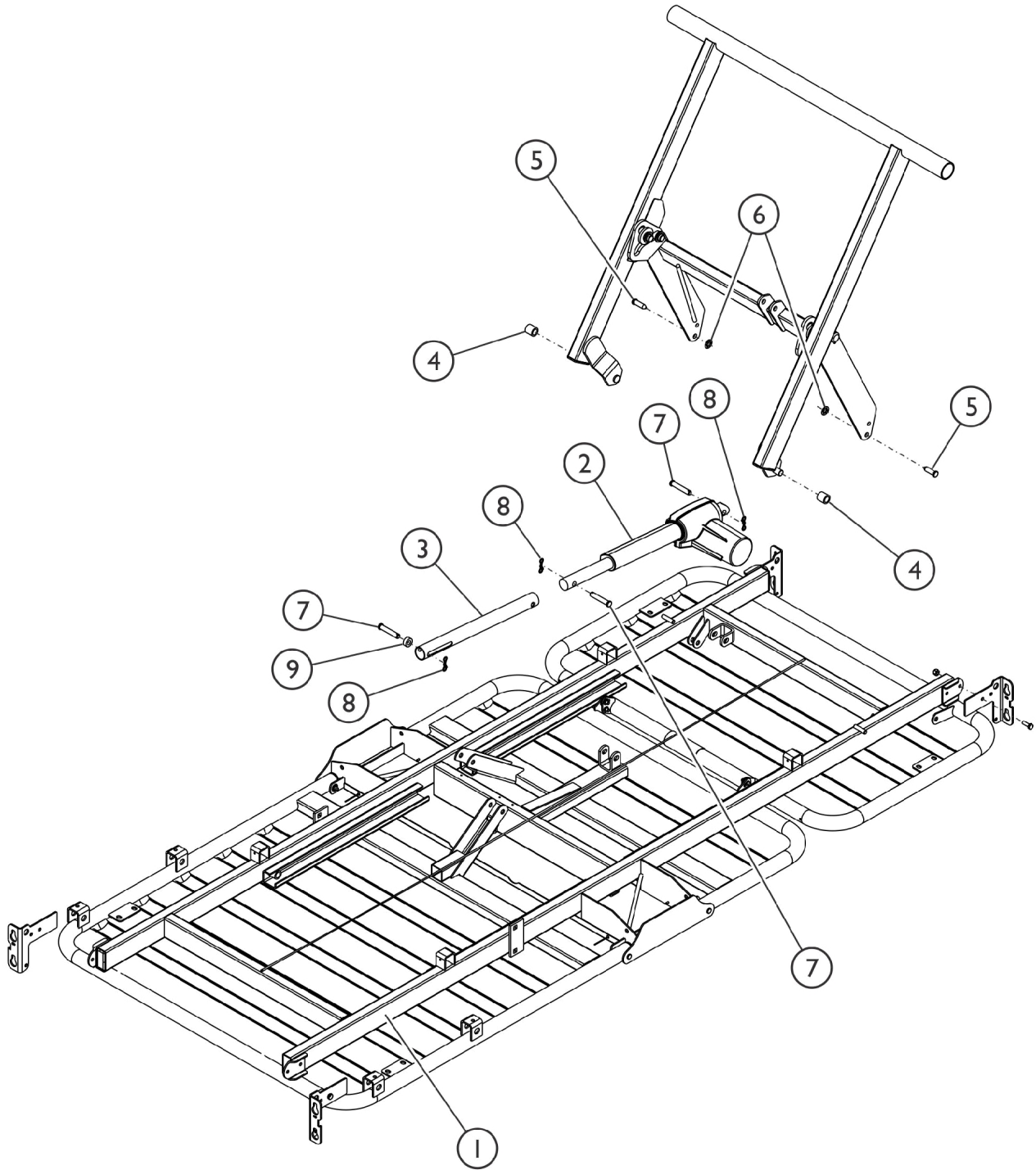
# TABLE of CONTENTS

Description	Page Number
01. Bed Frame .....	4
02. Deck Assembly .....	6
03. Frame Deck Assembly .....	8
04. Leg Link Assembly .....	10
05. Dual Steering Caster Assembly .....	11
06. Electronics (After 8/17/2010) .....	13
07. Electronics (Before 8/17/2010) .....	15
08. Safety Package Electronics .....	17
09. Wires and Actuators .....	19
10. Assist Bar .....	21
11. Assist Rail .....	23
12. Assist Bar and Rail Hardware .....	25
13. Positional Devices .....	27
14. Partial Rail .....	29
15. Headboard and Footboard .....	31
16. Headboard and Footboard Hardware .....	33
17. Miscellaneous Options - Extensions and Hangers .....	35
18. Miscellaneous Options - Wireframes and Pan Decks .....	36
19. Miscellaneous Electronics - Battery and Actuators .....	37
20. Miscellaneous Electronics - Backups and Controls .....	39
21. Trapeze .....	41

# TABLE of CONTENTS

Description	Page Number
22. Bed Transporter .....	43

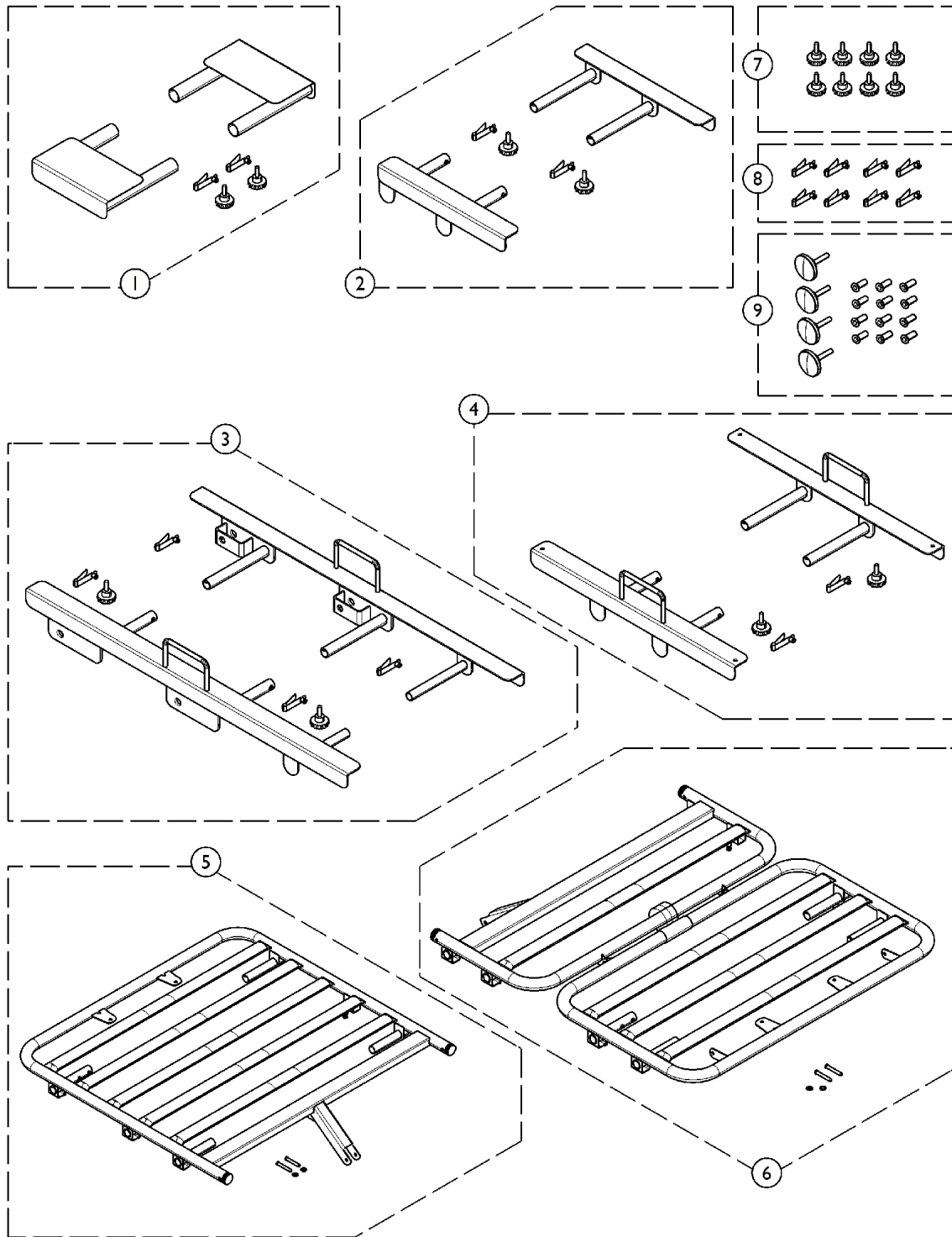
# Bed Frame



## Bed Frame

Item Number	Note	Part Number	Description	Quantity Per	
				Package	Assembly
1		1149706	Frame, Bed	1	1
2		1147532	Actuator, Foot (LA27-U042-01)	1	1
3		1149695	Extension Tube, Motor - Foot	1	1
4		1144984	Bushing, Glide - White	1	1
5		1147524	Clevis Pin, Leg Link	1	4
6		1147566	Nut, Push (3/8")	1	4
7		PIN3802	Clevis Pin (3/8 x 2" L)	1	3
8		PINBOW38	Cotter Pin, Bowtie (3/8")	1	3
9		WSR3834516N	Spacer, Foot Motor Extension Tube, Plastic	1	1

# Deck Assembly

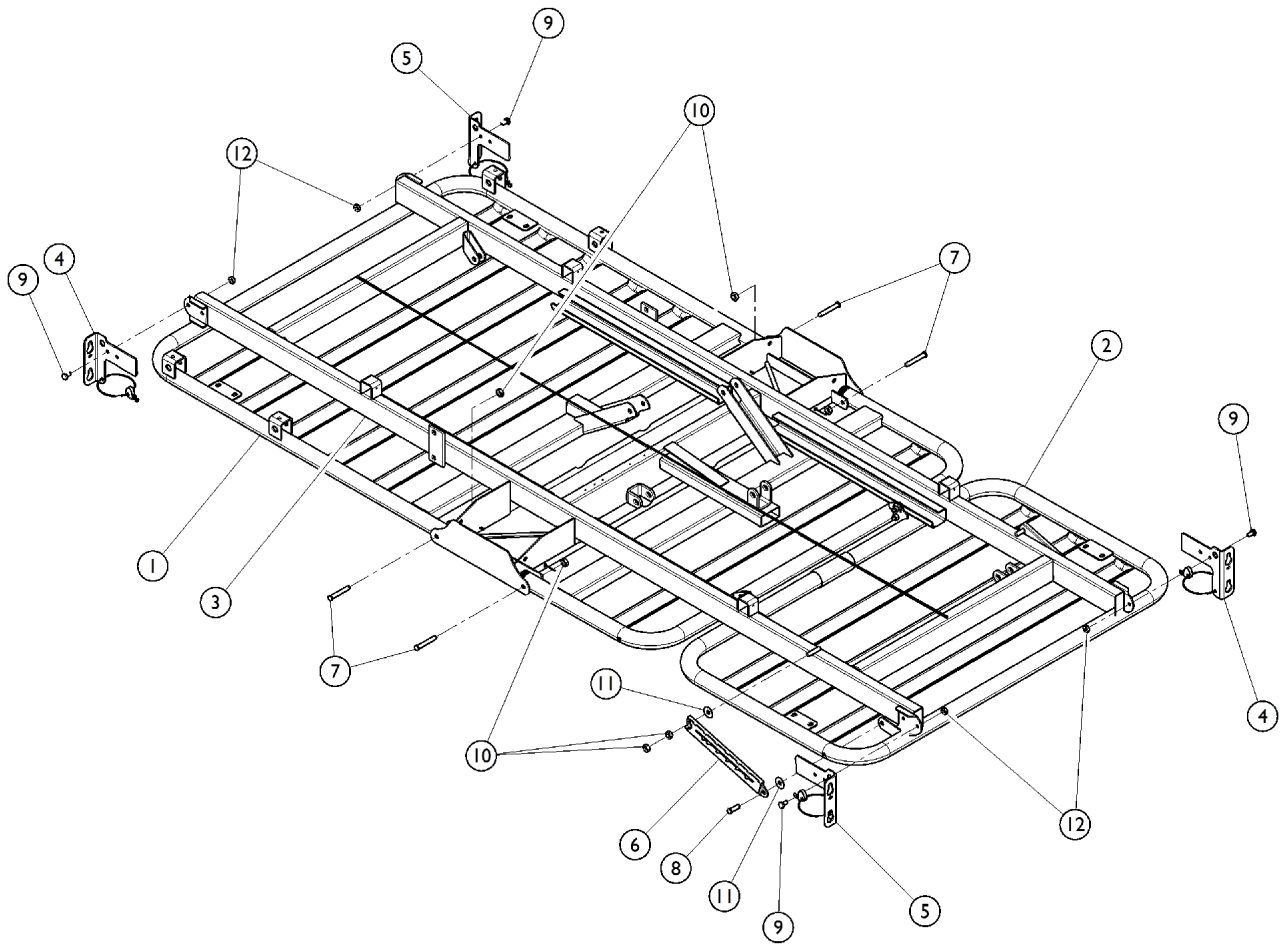


## Deck Assembly

Item Number	Note	Part Number	Description	Quantity Per	
				Package	Assembly
1	A	1165036	Kit, Seat Deck Slide w/ Hardware	1	1
2	B	1165038	Kit, Thigh Deck Slide w/ Hardware	1	1
3	B	1165037	Kit, Head Deck Slide w/ Hardware	1	1
4	C	1165039	Kit, Foot Deck Slide w/ Hardware	1	1
5		1165043	Kit, Head Deck w/ Hardware	1	1
6		1165046	Kit, Thigh and Foot Deck w/ Hardware	1	1
7		1165047	Kit, Bed End Hardware	1	1
8		1165034	Package, Snap Button	8	1
9		1165035	Package, Round Knob	8	1

NOTE: A - Includes (2) Knobs and (2) Snap Buttons.  
 B - Includes Deck Slides, (2) Snap Buttons, and (2) Round Knobs.  
 C - Includes Deck Slides, (4) Snap Buttons, and (2) Round Knobs.

# Frame Deck Assembly



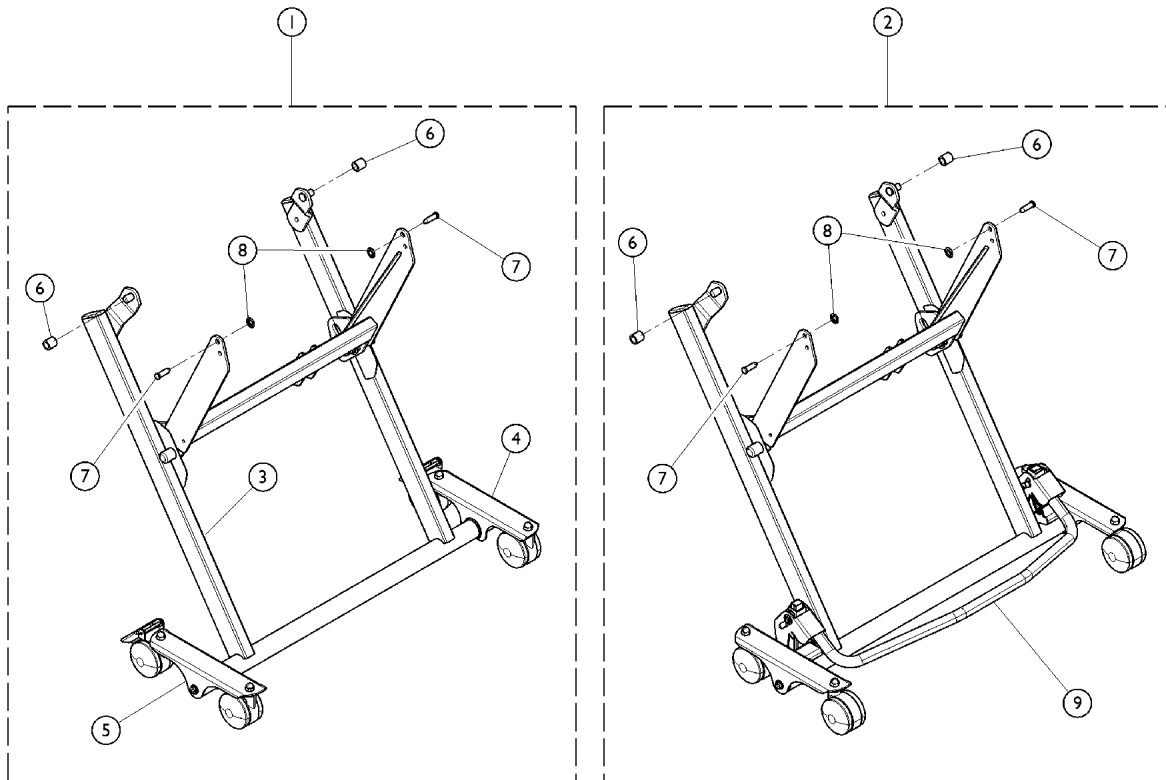


## Frame Deck Assembly

Item Number	Note	Part Number	Description	Quantity Per	
				Package	Assembly
1		1165043	Kit, Head Deck w/ Hardware	1	1
2		1165046	Kit, Thigh and Foot Deck w/ Hardware	1	1
3		1147565	Clevis Pin, Deck to Frame (36" W)	1	4
4	B	1149697	NLA - Bracket, Bed End, Foot Left/Head Right - Plated	1	1
4		1159591	Bracket, Bed End, Foot Right/Head Left	1	1
5	B	1149696	NLA - Bracket, Bed End, Foot Right/Head Left - Plated	1	1
5		1159590	Bracket, Bed End, Foot Left/Head Right	1	1
6		1147550	Ratchet, Knee	1	2
7		1147565	Clevis Pin, Deck to Frame (36" W)	1	4
8		PIN51634	Pin, Clevis (5/16" x 3/4")	1	2
9		BLT1434	Bolt, Attachment (1/4-20)	1	4
10		NUT516PN	Nut, Push - Clevis Pin	1	5
11		WSR3834116N	NLA - Washer, Nylon (3/8 x 3/4 x 1/16")	1	2
12		NUT14L	Lock Nut, Purple Insert (1/4-20)	1	4

NOTE: B - For Beds built prior to 5/2008, use 1159590 and 1159591 as their replacement. See category "Head and Foot Boards" to order corrects Head and Footboards.

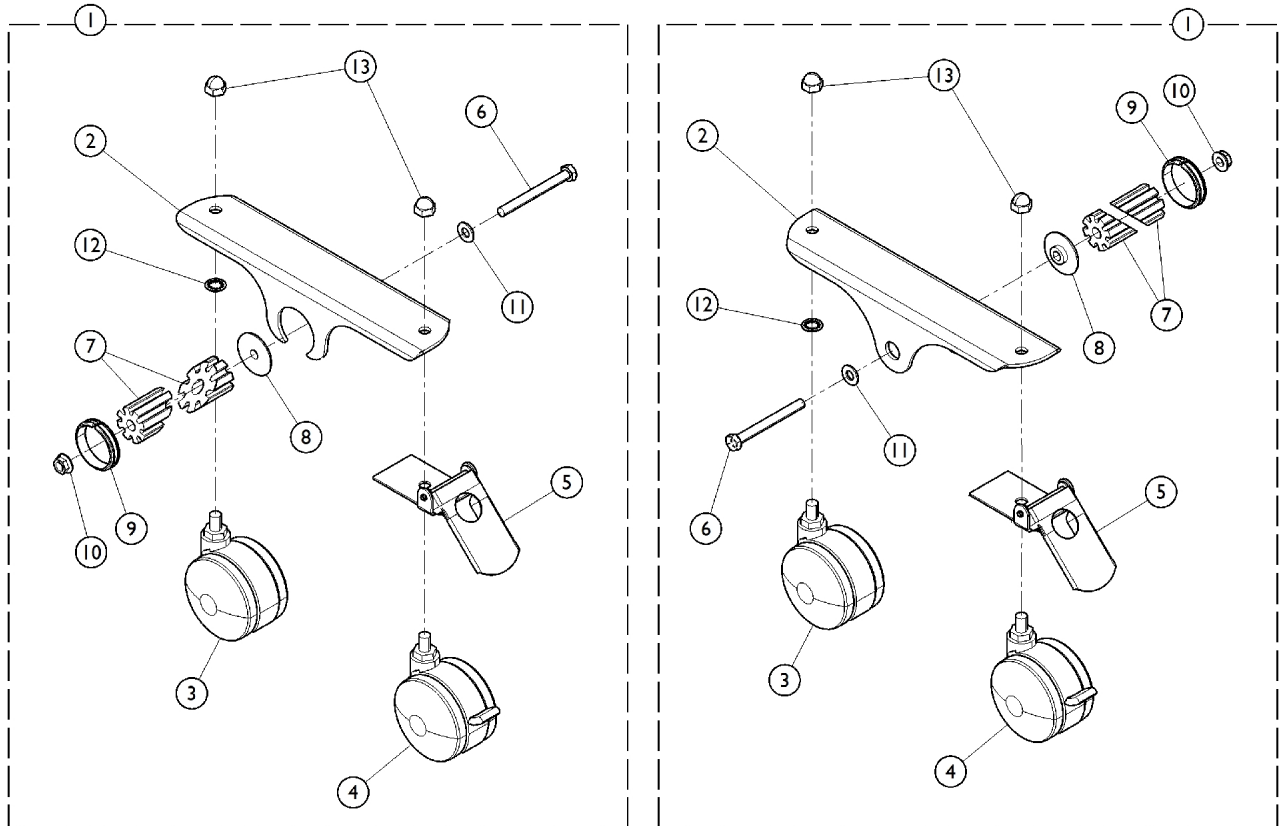
# Leg Link Assembly



Item Number	Note	Part Number	Description	Quantity Per	
				Package	Assembly
1	A	1156563	Leg and Link Assembly (w/ Casters)	1	1
3		1147534	Leg and Link Assembly	1	1
4		1147607	Dual Caster Steering Assembly - Right (3")	1	1
5		1147608	Dual Caster Steering Assembly - Left (3")	1	1
6		1144984	Bushing, Glide - White	2	1
7		1147524	Clevis Pin, Leg Link	2	1
8		1147566	Nut, Push (3/8")	2	1
2	B	1156565	Leg and Link Assembly (w/ Floor Lock)	1	1
3		1147534	Leg and Link Assembly	1	1
6		1144984	Bushing, Glide - White	2	1
7		1147524	Clevis Pin, Leg Link	2	1
8		1147566	Nut, Push (3/8")	2	1
9		1147260	Pedal, Brake	1	1

NOTE: A - Includes items 3 - 8.  
 B - Includes items 3, 6, 7, 8, and 9.

# Dual Steering Caster Assembly

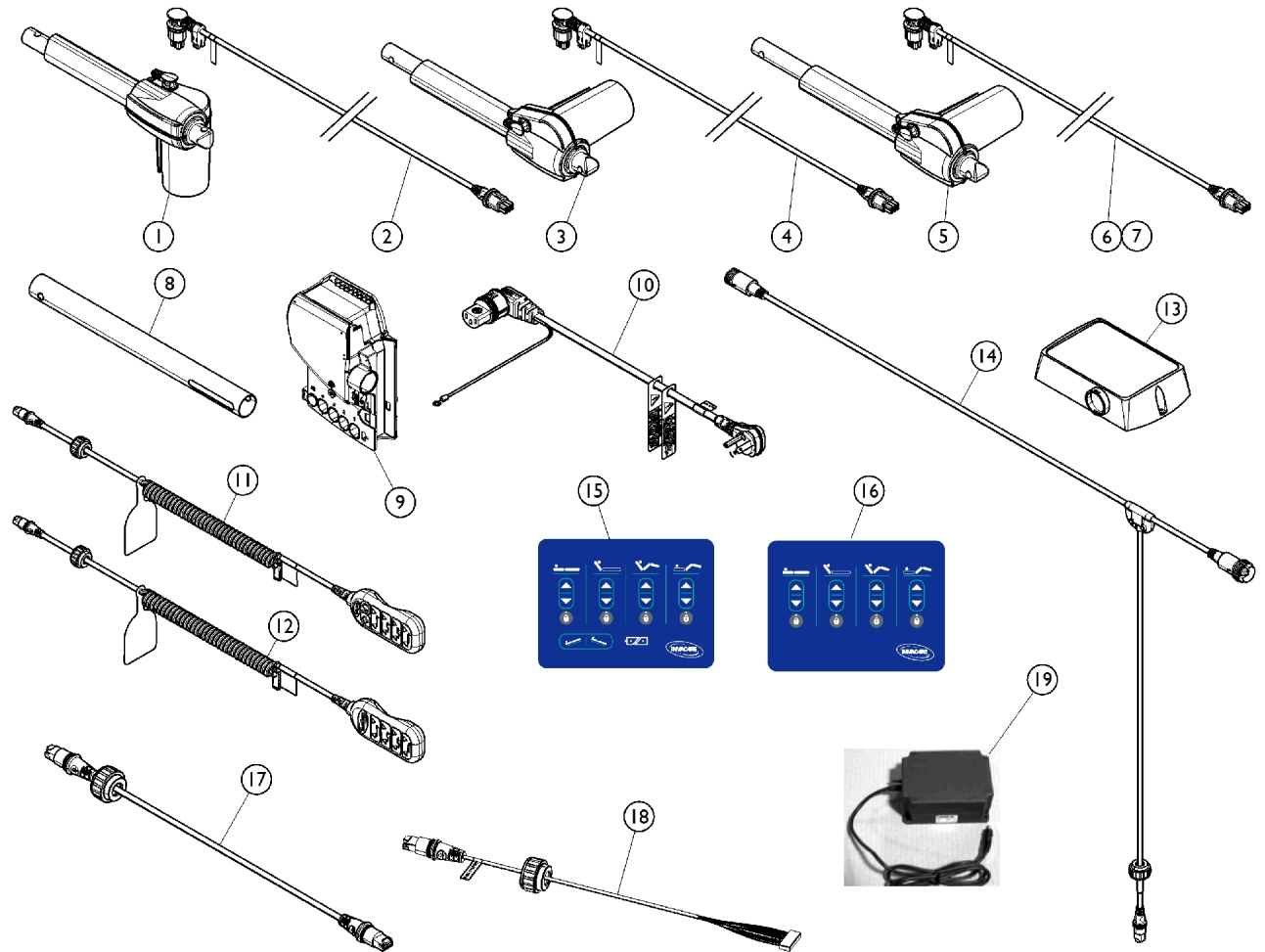


## Dual Steering Caster Assembly

Item Number	Note	Part Number	Description	Quantity Per	
				Package	Assembly
1	A	1147607	Dual Caster Steering Assembly - Right (3")	1	1
2		1147606	Bracket, Caster - Painted	1	1
3		1147526	Caster, Non-Locking (3")	1	1
4		1147527	Caster, Locking (3")	1	1
5		1153746	Steering Bracket Assembly	1	1
6		BLT5163	Screw, Hex Head (5/16 x 3")	1	1
7		1143736	Bushing, Wedge - Lower Leg	2	1
8		1152558	Washer, Plastic	1	1
9		1147513	Dual Trim, Caster Bracket	1	1
10		NUT516FL	Nut, Hex Head, Flange (5/16-18)	1	1
11		WSR516	Washer, Plain (.370 x .868 x .064)	1	1
12		1152559	Washer, Lock, Internal Tooth	1	1
13		1147523	Nut, Acorn	1	2
1	A	1147608	Dual Caster Steering Assembly - Left (3")	1	1
2		1147606	Bracket, Caster - Painted	1	1
3		1147526	Caster, Non-Locking (3")	1	1
4		1147527	Caster, Locking (3")	1	1
5		1153746	Steering Bracket Assembly	1	1
6		BLT5163	Screw, Hex Head (5/16 x 3")	1	1
7		1143736	Bushing, Wedge - Lower Leg	2	1
8		1152558	Washer, Plastic	1	1
9		1147513	Dual Trim, Caster Bracket	1	1
10		NUT516FL	Nut, Hex Head, Flange (5/16-18)	1	1
11		WSR516	Washer, Plain (.370 x .868 x .064)	1	1
12		1152559	Washer, Lock, Internal Tooth	1	1
13		1147523	Nut, Acorn	1	2

NOTE: A - Kit includes items 2 - 13.

# Electronics (After 8/17/2010)

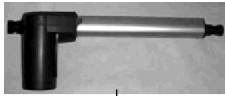


## Electronics (After 8/17/2010)

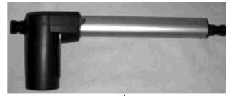
Item Number	Note	Part Number	Description	Quantity Per	
				Package	Assembly
1		1159613	Actuator, Head (LA27-U041-01)	1	1
2		1158425	Cable, Motor, Head (Yellow)	1	1
3		1147532	Actuator, Foot (LA27-U042-01)	1	1
4		1158424	Cable, Motor, Foot (Blue)	1	1
5		1149695	Extension Tube, Motor - Foot	1	1
6		1158427	Actuator, HiLo (LA27-U086-00)	1	1
7		1158431	Cable, Motor, HiLo, Head End (Red)	1	1
8		1158430	Cable, Motor, HiLo, Foot End (Black)	1	1
9		1158557	Control Box (CB06-U016-00)	1	1
10		1165079	Power Cord	1	1
11		1158553	Pendant, 8 Function, Standard (1158435 - Green O-Ring)	1	1
12		1158554	Pendant, 10 Function, Safety Package (1158435 - Green O-Ring)	1	1
13		1158450	Lockout Box	1	1
14	A	1158433	Cable, T, w/o Footboard Staff Control (Standard)	1	1
15		1158440	Membrane w/ Trend	1	1
16		1158441	Membrane w/o Trend	1	1
17		1158417	Jumper Cable for Lockout Box	1	1
18		1158416	Cable, Inboard Membrane	1	1
19		1175549	Battery, On Board Backup	1	1

NOTE: A - Requires (2) T-Cables for Lock-Out Box and Membrane.

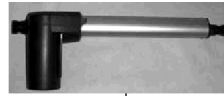
# Electronics (Before 8/17/2010)



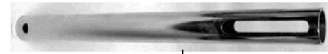
1



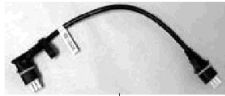
3



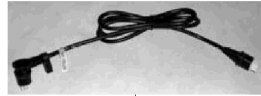
6



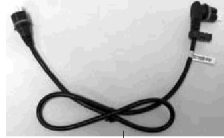
5



2



4



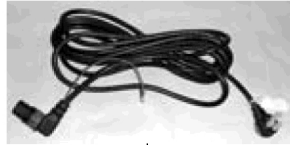
7



8



9



10



11



12



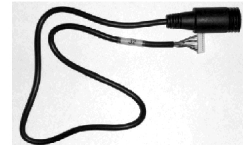
13



14



15



16



17

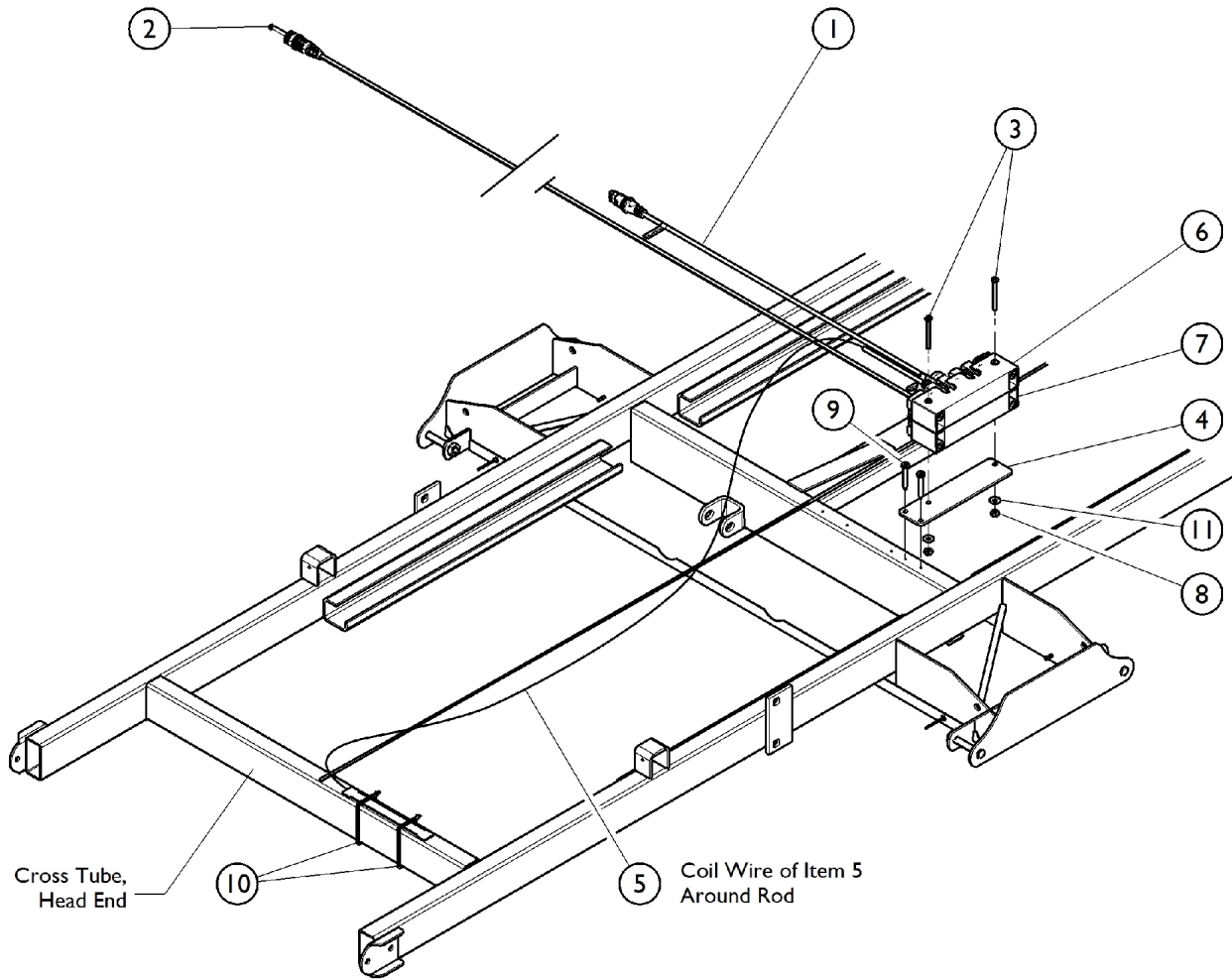
## Electronics (Before 8/17/2010)

Item Number	Note	Part Number	Description	Quantity Per	
				Package	Assembly
1		1159613	Actuator, Head (LA27-U041-01)	1	1
2		1116642	Cable, Actuator Head w/ Yellow O-Ring	1	1
3		1147532	Actuator, Foot (LA27-U042-01)	1	1
4		1116641	Cable, Actuator Foot w/ Blue O-Ring	1	1
5		1149695	Extension Tube, Motor - Foot	1	1
6		1165048	Actuator, HiLo (CS9FX600 Analog)	1	2
7		1116640	Cable, Motor Hi/Lo w/ Red O-Ring	1	1
8		1147601	Cable, Motor Hi/Lo w/ Black O-Ring	1	1
9		1159600	Control Box, 120 Volts (CB6039/6052)	1	1
10		1165079	Power Cord	1	1
11		1158391	Pendant (PNDNT-6FNC-I-2)	1	1
12		1165022	Lockout Box Assembly	1	1
13	A	1158433	Cable, T, w/o Footboard Staff Control (Standard)	1	1
14		1156571	Membrane, 151, CS3/5 (No Contour)	1	1
15		1151720	Cable, Inboard Male - J1	1	1
16		1151721	Cable, Inboard Female - J2	1	1
17		1175549	Battery, On Board Backup	1	1

NOTE: A - Requires (2) T-Cables for Lock-Out Box and Membrane.



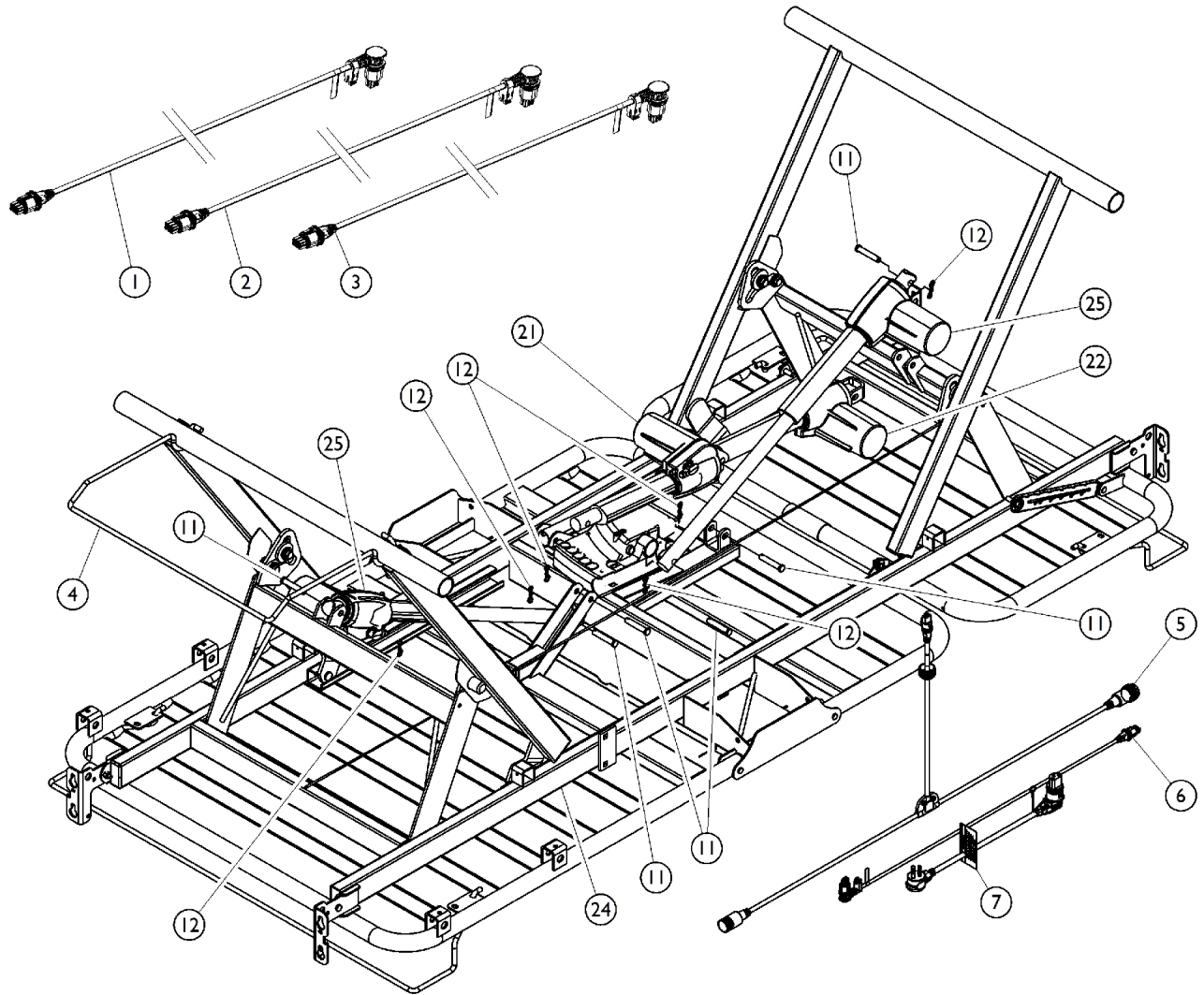
# Safety Package Electronics



## Safety Package Electronics

Item Number	Note	Part Number	Description	Quantity Per	
				Package	Assembly
1		1158415	Cable, Nurse Call	1	1
2		1158418	Cable, Extension	1	1
3		1158532	Screw, Phillips Pan Head Machine (8-32 x 2-1/2")	1	1
4		1158534	Plate, Open Bus Mounting	1	1
5		1165073	Cable, Underbed Light w/ LED	1	1
6		1165076	Modular Junction Box Assembly	1	1
7		1165077	Modular Junction Box Assembly, Nurse Call	1	1
8		NUT832	Nut, Hex (8-32)	1	1
9		TEKSCRHX#10-34	Self Tapping Screw (#10-34)	1	2
10		WIRETIE8	Wrap, Tie (8")	1	2
11		WSR#101	Washer, Lock (#10)	1	2

# Wires and Actuators

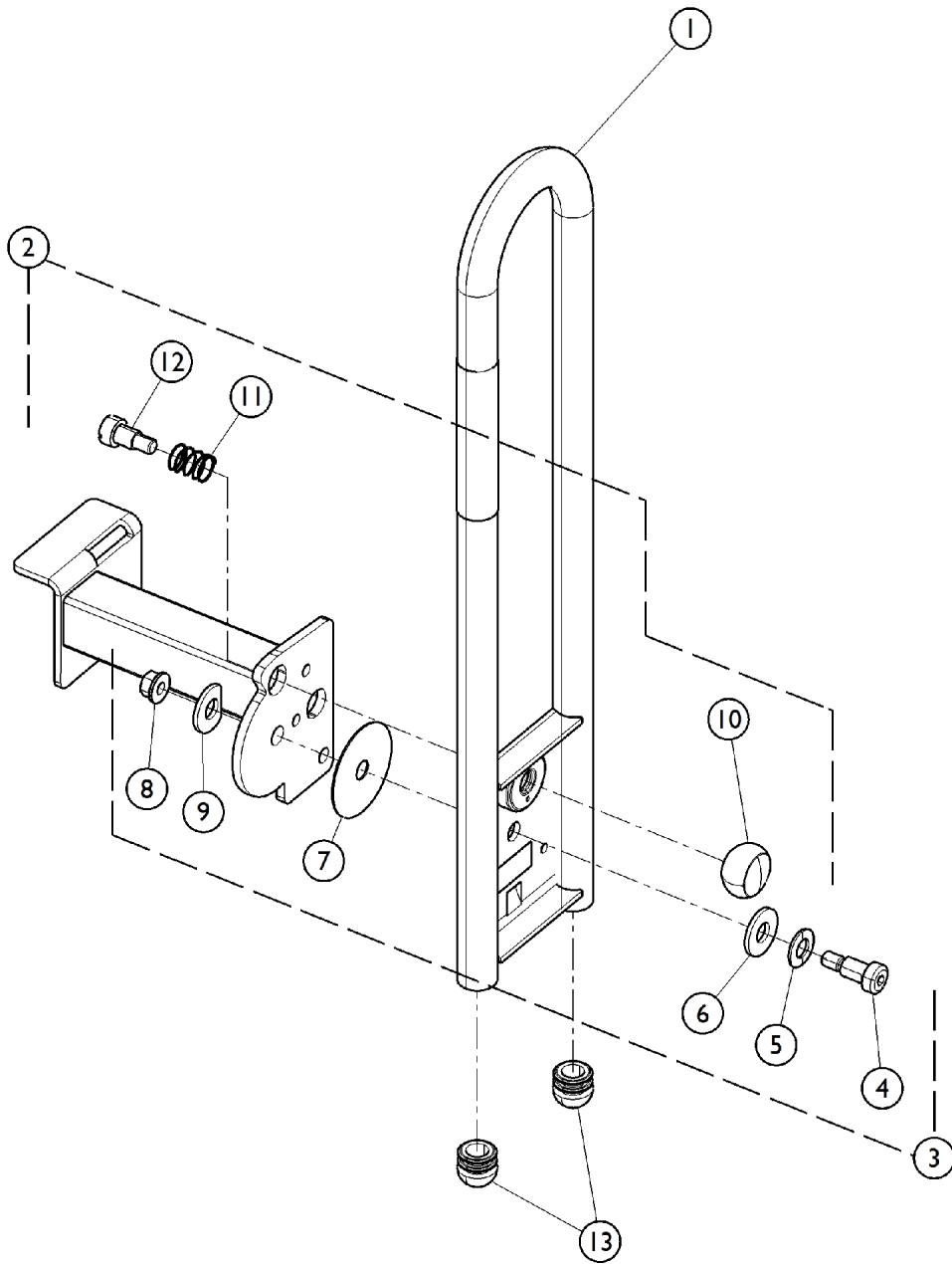


## Wires and Actuators

Item Number	Note	Part Number	Description	Quantity Per	
				Package	Assembly
1		1116640	Cable, Motor Hi/Lo w/ Red O-Ring	1	1
2		1116641	Cable, Actuator Foot w/ Blue O-Ring	1	1
3		1116642	Cable, Actuator Head w/ Yellow O-Ring	1	1
4		1152550	Wireform, Standard - 80" (12-7/16")	1	1
5	A	1158433	Cable, T, w/o Footboard Staff Control (Standard)	1	1
6		1147601	Cable, Motor Hi/Lo w/ Black O-Ring	1	1
7		1165079	Power Cord	1	1
11		PIN3802	Clevis Pin (3/8 x 2" L)	1	6
12		PINBOW38	Cotter Pin, Bowtie (3/8")	1	6
21		1159613	Actuator, Head (LA27-U041-01)	1	1
22		1147532	Actuator, Foot (LA27-U042-01)	1	1
24		1149706	Frame, Bed	1	1
25	B	1165048	Actuator, HiLo (CS9FX600 Analog)	1	2
25	C	1158427	Actuator, HiLo (LA27-U086-00)	1	2
	D	WIRETIE8	Wrap, Tie (8")	1	12

NOTE: A - Use (2) T-Cables with Footboard Staff Control.  
 B - Before 8-17-10.  
 C - After 8-17-10.  
 D - Not Shown in illustration.

# Assist Bar

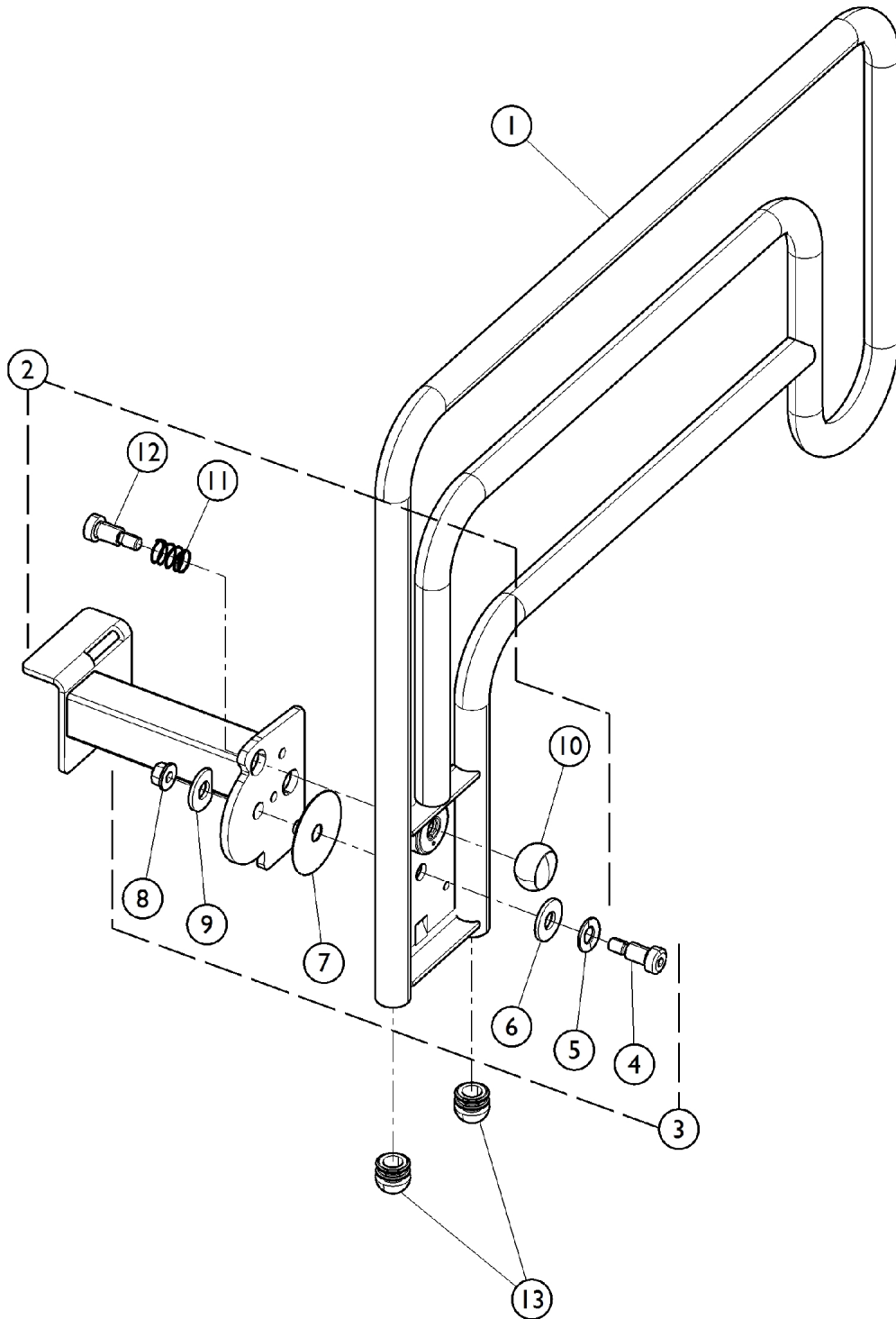


## Assist Bar

Item Number	Note	Part Number	Description	Quantity Per	
				Package	Assembly
1	A	IHCSBAAS	Assist Bar Assembly (36")	1	1
1	A	IHCSRAAS-39	Assist Bar Assembly (39")	1	1
1	A	IHCSRAAS-42	Assist Bar Assembly (42")	1	1
1		1152576	Assist Bar, Bed - Right (36")	1	1
1		1152577	Assist Bar, Bed - Left (36")	1	1
1		1158593	Assist Bar, Bed - Right (39")	1	1
1		1158594	Assist Bar, Bed - Left (39")	1	1
1		1158595	Assist Bar, Bed - Right (42")	1	1
1		1158596	Assist Bar, Bed - Left (42")	1	1
2	B	KIT26	Kit, Knob - Ball	1	1
10			Knob, Black Ball	1	1
11			Spring, Compression	1	1
12			Bolt, Shoulder, Socket Head (1/2-12)	1	1
3	C	KIT81	Kit, Assist Rail Mounting	1	1
4			Bolt, Shoulder, Socket (1/2-34)	1	1
5			Washer, Bevel	1	1
6			Washer, Flat	1	1
7			Washer, Nylon (1/2" x 2-1/2")	1	1
8			Nut, Flanged (3/8)	1	1
9			Washer, Flat Edge	1	1
11		1165067	Package, Assist Spring	10	1
13		1165068	Package, End Plug	10	1
	D	1158597	Bracket, Assist Bar - Right (39")	1	1
	D	1158598	Bracket, Assist Bar - Left (39")	1	1
	D	1158599	Bracket, Assist Bar - Right (42")	1	1
	D	1158600	Bracket, Assist Bar - Left (42")	1	1

NOTE: A - Includes Right and Left Assist Bars.  
 B - Includes items 10, 11, and 12.  
 C - Includes items 4 - 9.  
 D - Not Shown.

# Assist Rail



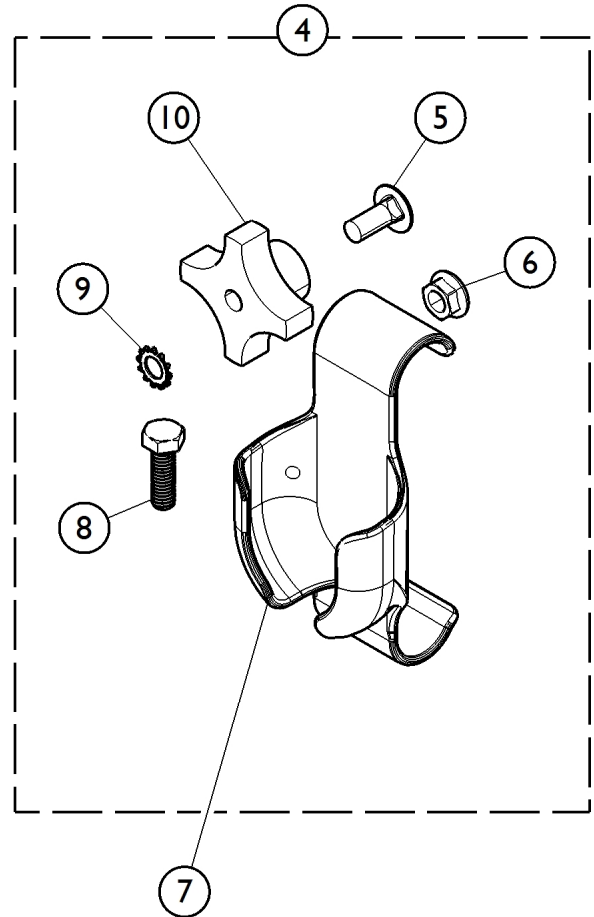
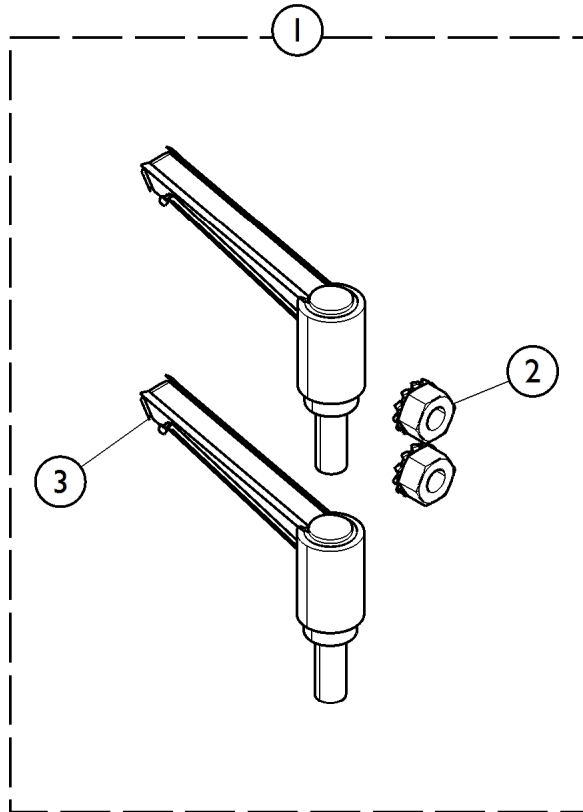
## Assist Rail

Item Number	Note	Part Number	Description	Quantity Per	
				Package	Assembly
1	A	IHCSRLAS	Assist Rail Assembly (36") (Pair)	1	1
1	A	IHCSRLAS-39	Assist Rail Assembly (39") (Pair)	1	1
1	A	IHCSRLAS-42	Assist Rail Assembly (42") (Pair)	1	1
1		1152571	Assist Rail - Right (36")	1	1
1		1152572	Assist Rail - Left (36")	1	1
1		1158589	Assist Rail - Right (39")	1	1
1		1158590	Assist Rail - Left (39")	1	1
1		1158591	Assist Rail - Right (42")	1	1
1		1158592	Assist Rail - Left (42")	1	1
2	B	KIT26	Kit, Knob - Ball	1	1
10			Knob, Black Ball	1	1
11			Spring, Compression	1	1
12			Bolt, Shoulder, Socket Head (1/2-12)	1	1
3	C	KIT81	Kit, Assist Rail Mounting	1	1
4			Bolt, Shoulder, Socket (1/2-34)	1	1
5			Washer, Bevel	1	1
6			Washer, Flat	1	1
7			Washer, Nylon (1/2" x 2-1/2")	1	1
8			Nut, Flanged (3/8)	1	1
9			Washer, Flat Edge	1	1
11		1165067	Package, Assist Spring	10	2
13		1165068	Package, End Plug	10	2
	D	1158597	Bracket, Assist Bar - Right (39")	1	1
	D	1158598	Bracket, Assist Bar - Left (39")	1	1
	D	1158599	Bracket, Assist Bar - Right (42")	1	1
	D	1158600	Bracket, Assist Bar - Left (42")	1	1

NOTE: A - Includes Right and Left Assist Rails.  
 B - Includes items 10, 11, and 12.  
 C - Includes items 4 - 9.  
 D - Not Shown.



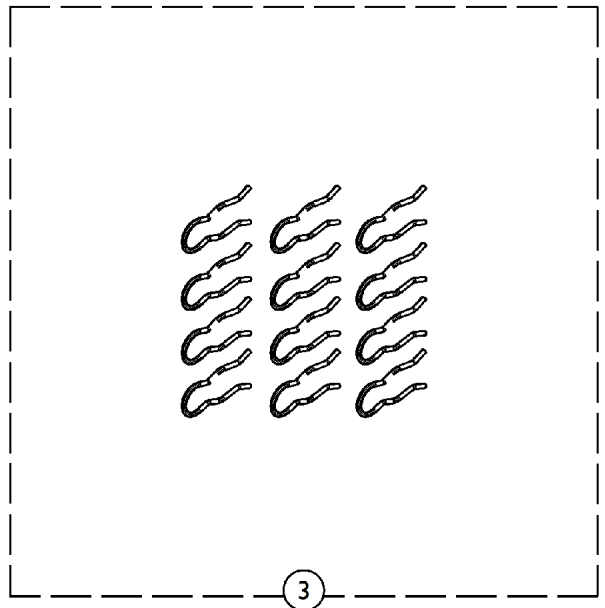
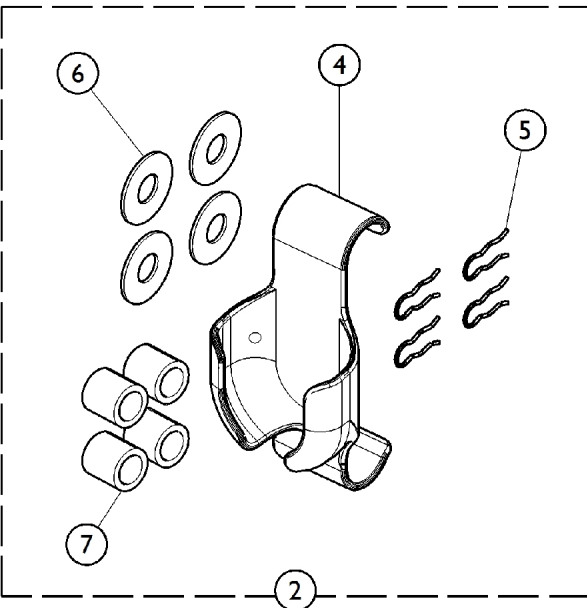
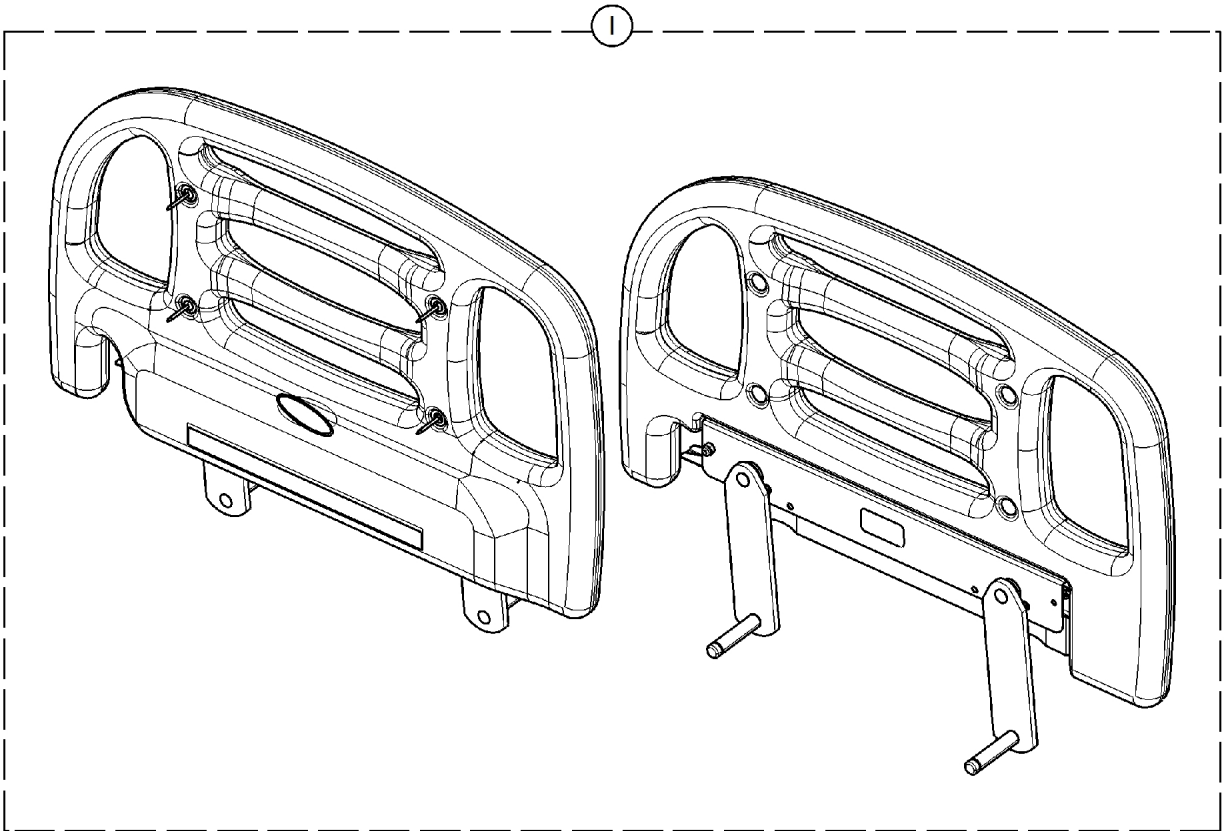
# Assist Bar and Rail Hardware



## Assist Bar and Rail Hardware

Item Number	Note	Part Number	Description	Quantity Per	
				Package	Assembly
1	A	1153370-NLA	Kit, Assist Bar/Rail Mounting Hardware	1	1
			NLA - Handle, Clamping	2	1
			NLA - Nut, Hex Keps (5/16-18)	2	1
4	B	1159610	Kit, Assist Bar Mounting Hardware	1	1
			Pendant Holster	1	1
			Knob, Phenolic (5/16-18)	1	2
			Screw, Round Head, Square Neck (5/16-18 x 3/4")	1	2
			Nut, Hex Head, Flange (5/16-18)	1	2
			Lock Washer, External Tooth (5/16)	1	2
			Bolt, Hex Head (5/16-18 x 1")	1	2
			Loop (1" x 3")	1	1
			Label, Caution, Operation, AB French	1	2
			Instruction Sheet, Assist Bar	1	1
4	B	1153764	Kit, Assist Rail Mounting Hardware	1	1
			Pendant Holster	1	1
			Knob, Phenolic (5/16-18)	1	2
			Screw, Round Head, Square Neck (5/16-18 x 3/4")	1	2
			Nut, Hex Head, Flange (5/16-18)	1	2
			Lock Washer, External Tooth (5/16)	1	2
			Bolt, Hex Head (5/16-18 x 1")	1	2
			Instruction Sheet, Assist Rail	1	1
7		PNDNTHOLSTE RS	Holster, Pendant	1	1
NOTE: A - Used prior to September 9, 2009. B - Used as of September 9, 2009.					

# Positional Devices

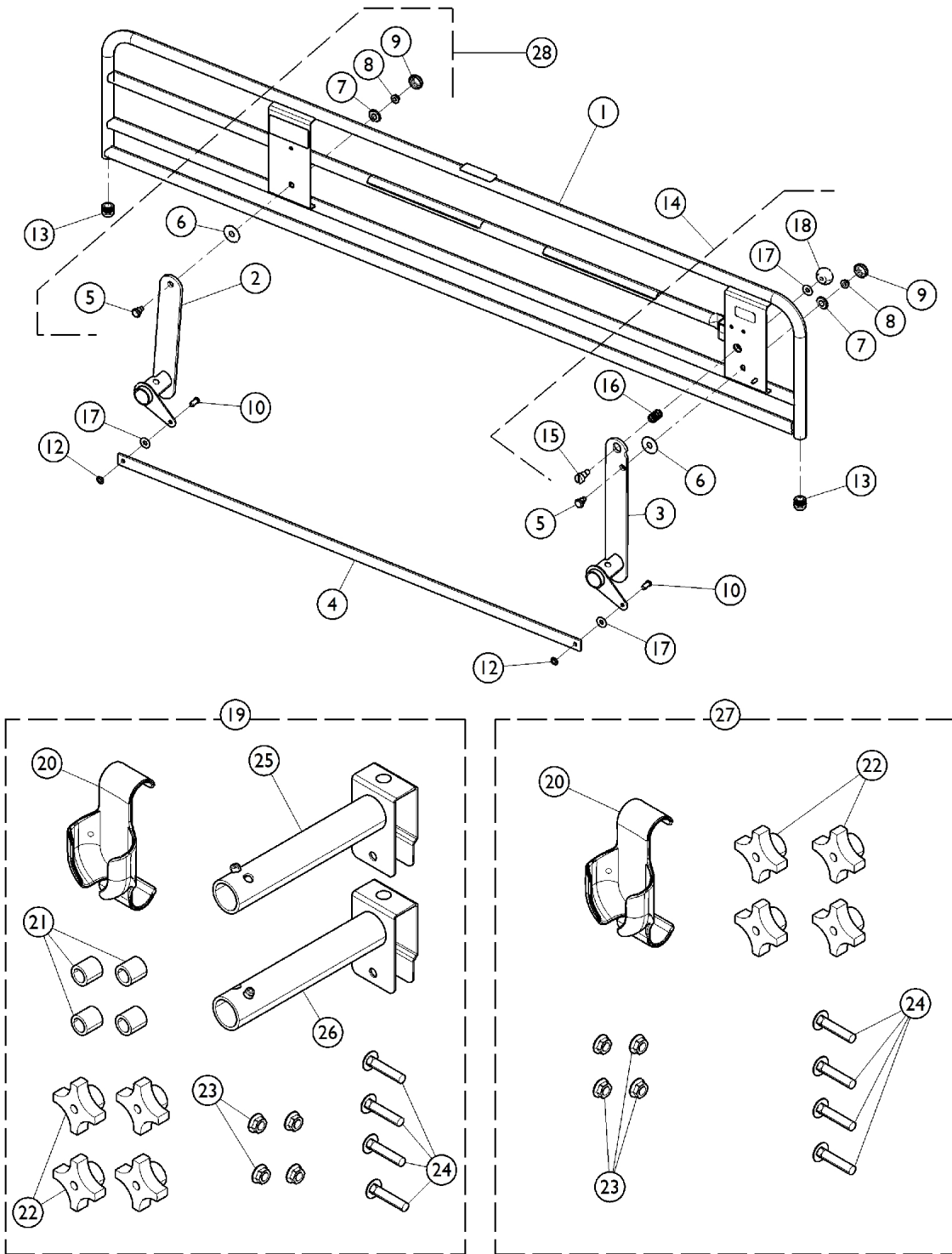


## Positional Devices

Item Number	Note	Part Number	Description	Quantity Per	
				Package	Assembly
1	A	IHCSTSPD	Head Positioning Rails (Pair)	1	1
1		1158933	Head Section, Bed (36" W)	1	1
2	B	1161869	Kit, Head Positioning Hardware	1	1
4			Holster, Pendant	1	1
5			Pin, Retaining	4	1
6			Bushing, Glide - White	4	1
7			Washer, Flat (1.250" x .516" x .062)	4	1
			Instruction Sheet, Thinksoft PD	1	1
			Label, Warning, Entrapment and Crush	2	1
3		1165069	Package, Retaining Clip	12	1
4		PNDNTHOLSTE RS	Holster, Pendant	1	1

NOTE: A - For beds built prior to February 5, 2009, you must also order 1158933.  
 B - Includes Pendant Holster, Bushing, Washer, and Retaining Pin.

# Partial Rail

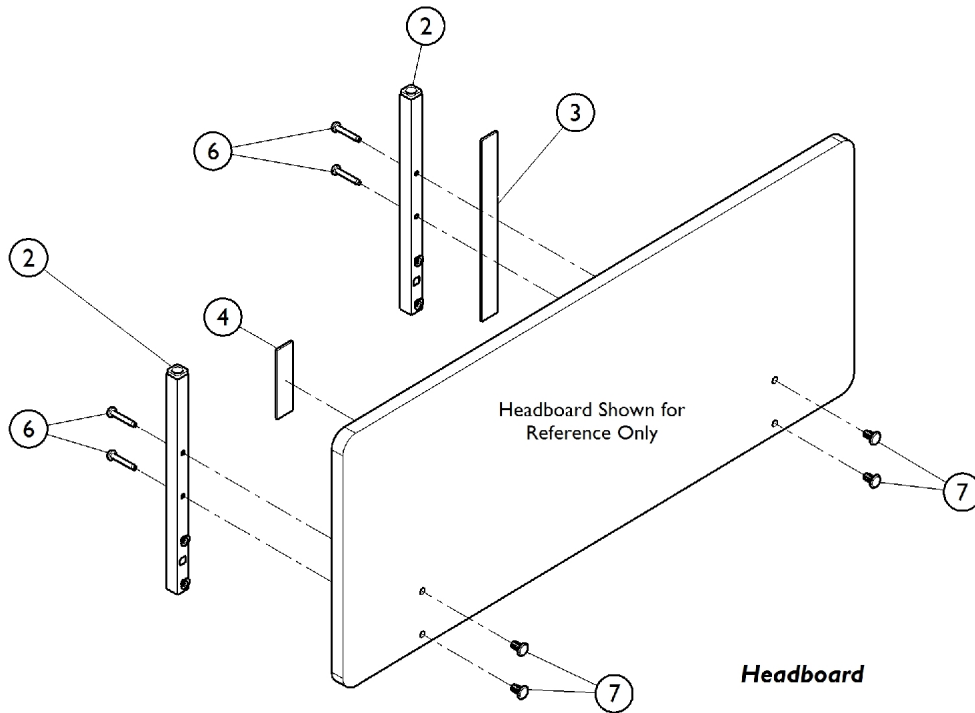
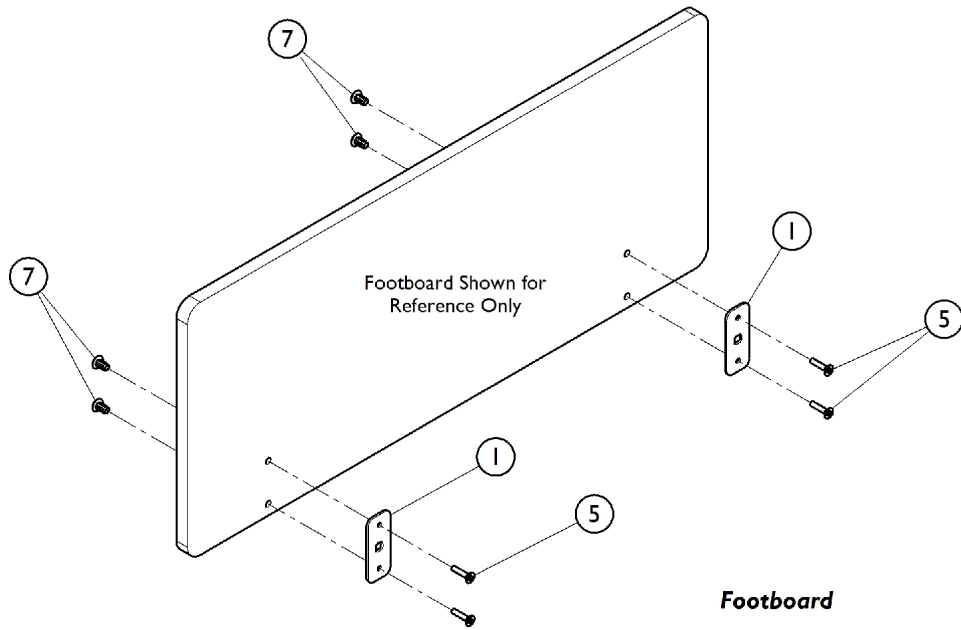


## Partial Rail

Item Number	Note	Part Number	Description	Quantity Per	
				Package	Assembly
1		IHCSRLPA	68" Partial Rail Assembly (Pair)	1	1
2		1153590	Arm, Rail, Head End - Left	1	1
2		1153591	Arm, Rail, Head End - Right	1	1
3		1153588	Arm, Rail, Foot End - Left	1	1
3		1153589	Arm, Rail, Foot End - Right	1	1
4		1153595	Bar, Linkage - Partial Rail	1	1
28	A	KIT63	Kit, Rail Mounting Hardware	1	1
5			Pin, Rail, Plated (1/2 x 7/8)	1	4
6			Washer, Nylon (.515 x 1.46 x .050)	1	2
7			Washer, Retaining (1/2")	1	4
8			Locknut, Flanged (5/16-18)	1	2
9			Cap, Plastic (RH-20)	1	4
10		PIN51634	Pin, Clevis (5/16" x 3/4")	1	2
11		WSR3834116N	NLA - Washer, Nylon (3/8 x 3/4 x 1/16")	1	2
12		NUT516PUSH	Nut, Push (5/16-18)	1	2
13		1133097	Plug Button, Black (1")	1	2
14		KIT26	Kit, Knob - Ball	1	1
15			Bolt, Shoulder, Socket Head (1/2-12)	1	1
16			Spring, Compression	1	1
18			Knob, Black Ball	1	1
16		1165067	Package, Assist Spring	1	1
19		1153610	Kit, Rail Hardware	1	1
20			Pendant Holster	1	1
21			Bushing, Glide - White	4	1
22			Knob, Phenolic (5/16-18)	4	1
23			Nut, Hex Head, Flange (5/16-18)	4	1
24			Screw, Round Head Square Neck (5/16-18 x 1-1/2")	4	1
25			Bracket, Mounting, Rail - Right	1	1
26			Bracket, Mounting, Rail - Left	1	1
			Instruction Sheet, Rail Installation	1	1
			Guide, Bed Rail Entrapment Risk Notification	1	1
20		PNDNTHOLSTE RS	Holster, Pendant	1	1
27		1153768	Kit, Rail Hardware w/o Mounting Rails	1	1
20			Holster, Pendant	1	1
22			Knob, Phenolic (5/16-18)	4	1
23			Nut, Hex Head, Flange (5/16-18)	4	1
24			Screw, Round Head Square Neck (5/16-18 x 1-1/2")	4	1
			Instruction Sheet, Rail Installation	1	1
			Guide, Bed Rail Entrapment Risk Notification	1	1

NOTE: A - Kit includes items 5 - 9. Includes hardware for both Head End and Foot End Arm Rails.

# Headboard and Footboard



## Headboard and Footboard

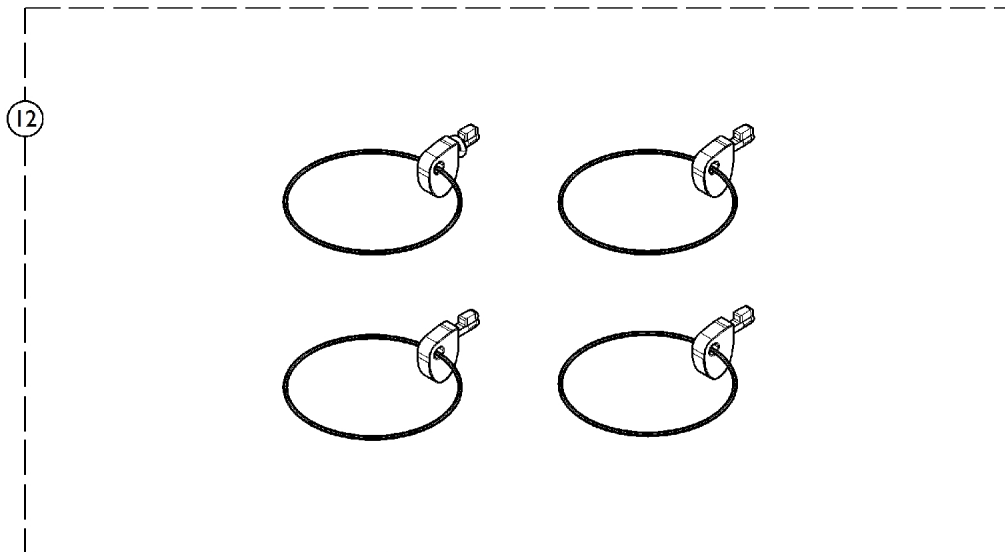
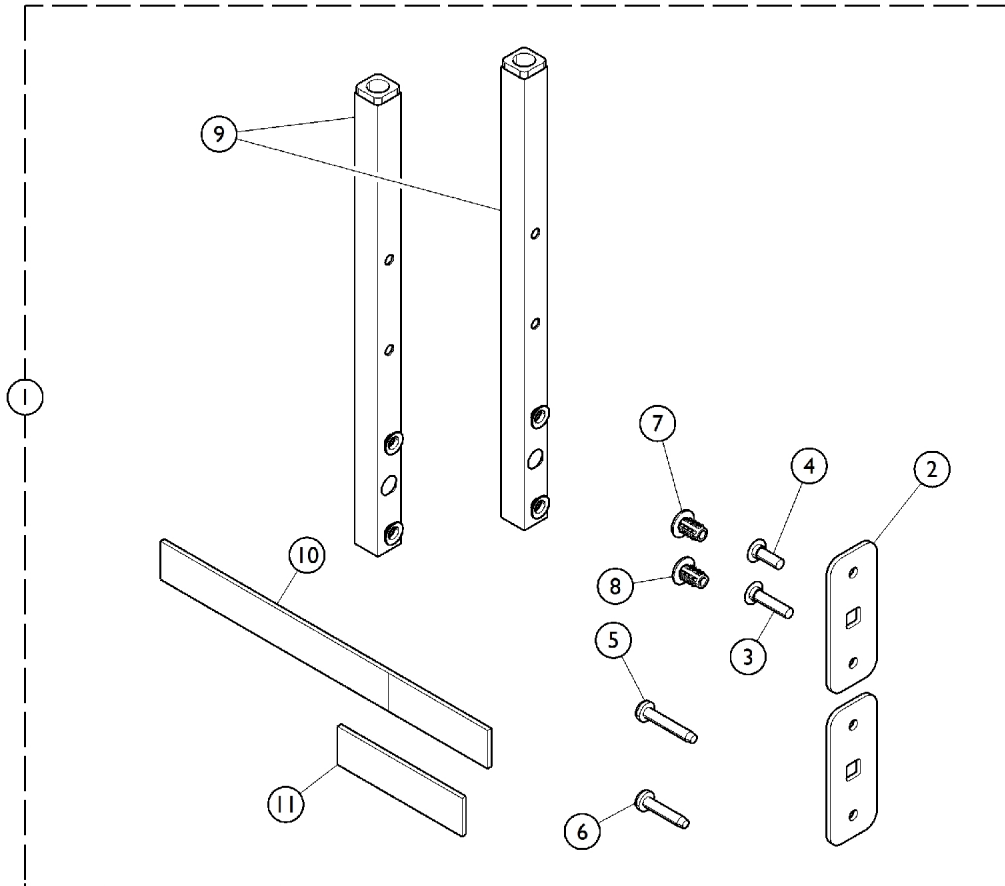
Item Number	Note	Part Number	Description	Quantity Per	
				Package	Assembly
1	A	1151757	Bracket, Foot Board, Post	1	1
1	B	1156557	Bracket, Foot Board, Post	1	1
2		1156564	Post, Head Board	1	2
3		PNDNTVELCOR D	Strap, Cord, Power	1	1
4		PNDNTVELCRO D	Velcro Loop	1	1
5		1153389	Screw, Foot Board, 3/4" Boards	1	4
5		1153390	Screw, Foot Board, 1-1/8" Boards	1	4
6		PHMS1420114	Screw, Drive, Torx® (1/4-20 x 1-1/4")	1	4
6		PHMS1420112	Screw, Machine, Pan Head (14-20-112)	1	4
7		NUT14INSERTZ N	NLA - Nut, Insert, Zinc Coated	1	4
7		NUT14INSERTB R	Nut, Insert, Bronze Coated	1	4

NOTE: A - Used on beds built prior to September 5, 2008.  
B - Used on beds built after September 5, 2008.

For Beds built prior to September 5th, 2008, Contact Customer Service.



# Headboard and Footboard Hardware

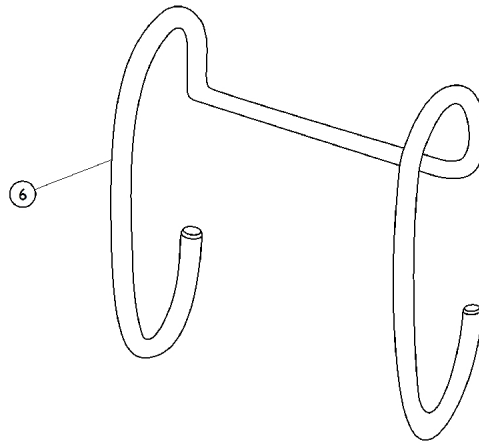
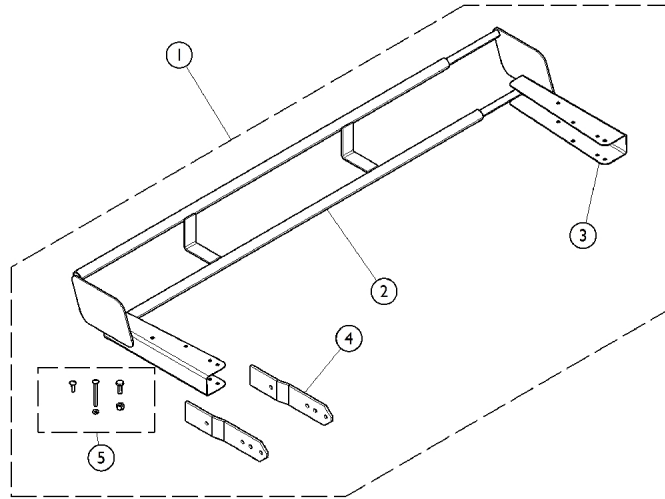


## Headboard and Footboard Hardware

Item Number	Note	Part Number	Description	Quantity Per	
				Package	Assembly
1	A	1159650	Kit, Head/Foot Board Mounting Hardware	1	1
2			Bracket, Foot Board, Post	2	1
3			Screw, Shoulder, Torx® TR HD (1/4-20 x 1-1/8)	4	1
4			Screw, Shoulder, Torx® TR HD (1/4-20 x 3/4)	4	1
5			Screw, Machine, Pan Head (14-20-112)	4	1
6			Screw, Drive, Torx® (1/4-20 x 1-1/4")	4	1
7			NLA - Nut, Insert, Zinc Coated	8	1
8			Nut, Insert, Bronze Coated	8	1
9			Post, Head Board	2	1
10			Strap, Cord, Power	1	1
11			Velcro Hoops	1	1
			Instruction Sheet, Headboard and Footboard	1	1
			Bag, Poly	1	1
12		1156522	Bed End Bracket Key	4	1

NOTE: A - Kit includes items 2 - 11.

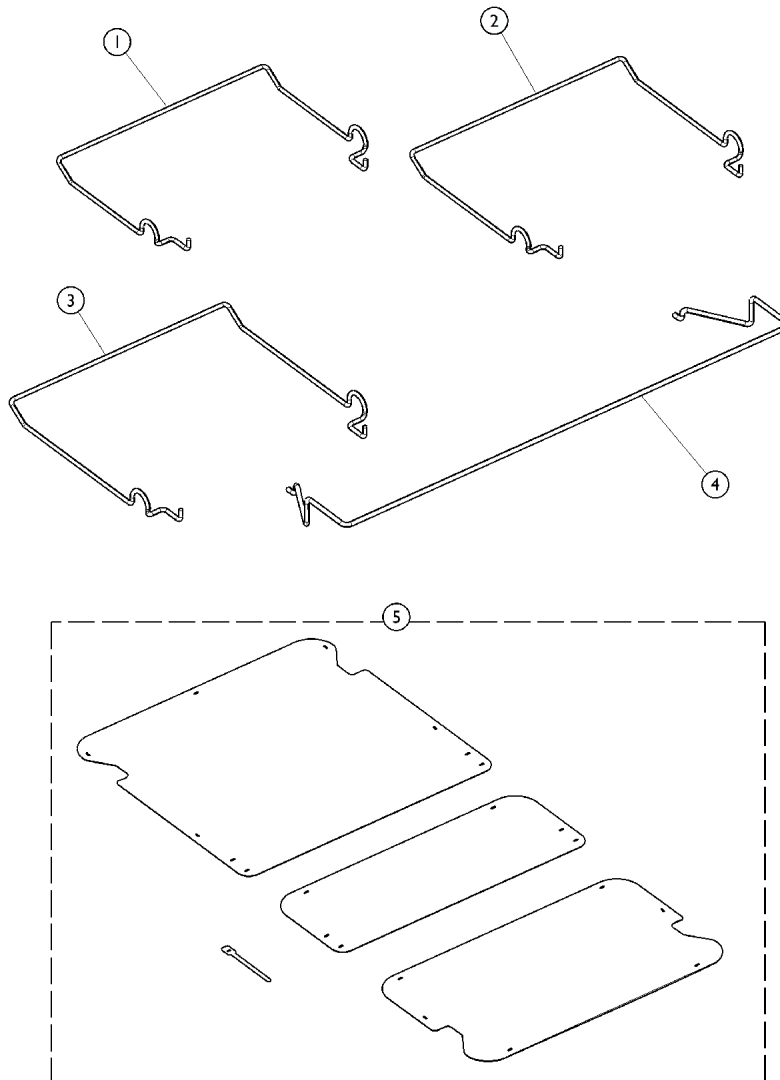
# Miscellaneous Accessories - Extensions and Hangers



Item Number	Note	Part Number	Description	Quantity Per	
				Package	Assembly
1	A	1153796	Kit, Extension (84")	1	1
2			Outer Extension Assembly, Painted (84")	1	1
3			Inner Extension Assembly, Painted (84")	1	1
4			Bracket, Bed End Extender	2	2
5			Kit, Extension (84")	1	1
6		IHCSDB	Drainage Bag Holder	1	1

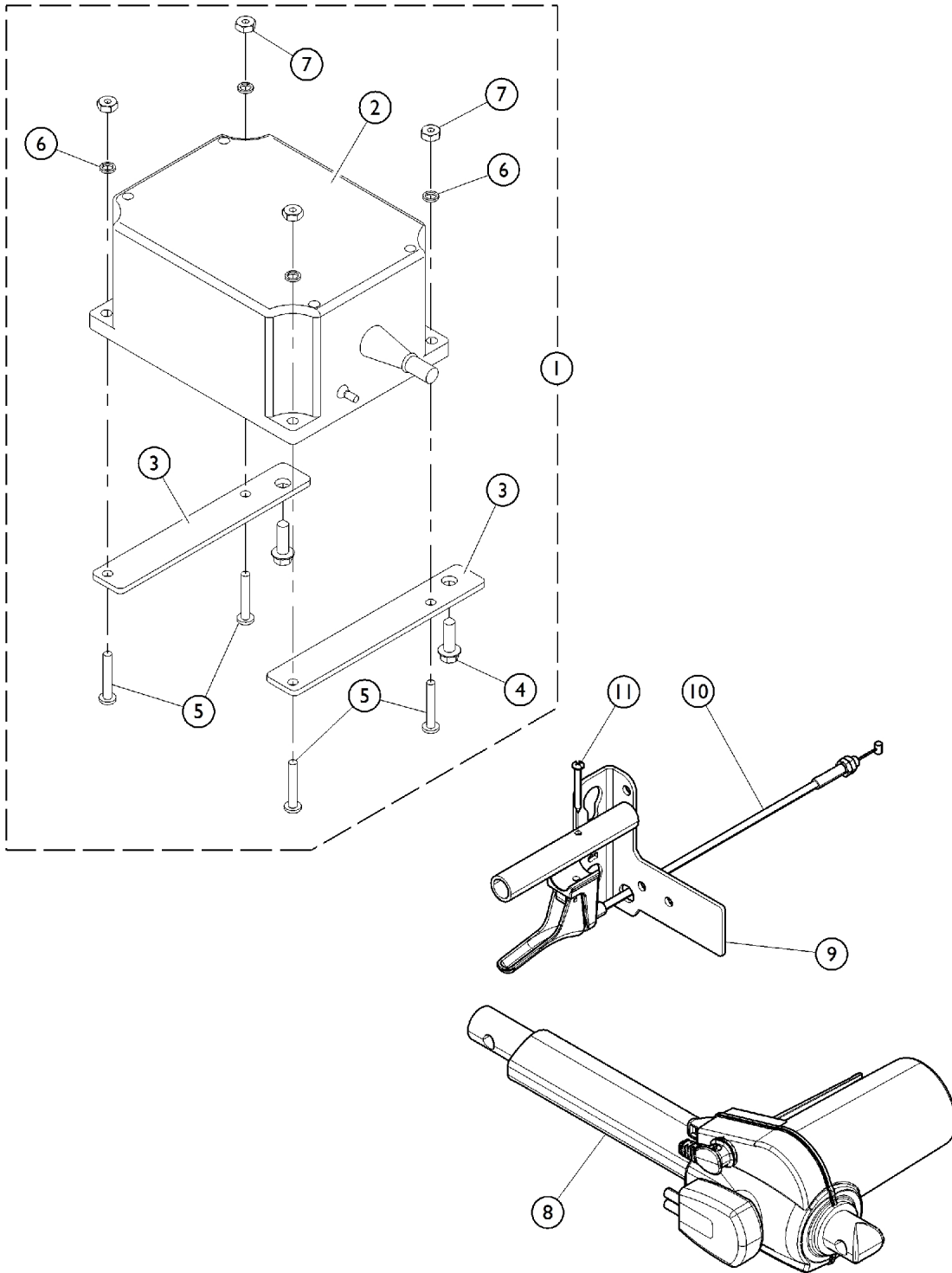
NOTE: A - Kit includes items 2 - 5.

## Miscellaneous Options - Wireframes and Pan Decks



Item Number	Note	Part Number	Description	Quantity Per	
				Package	Assembly
1		1152550	Wireform, Standard - 80" (12-7/16")	1	1
2		1152551	Wireform, Trapeze - 80" (14-7/16")	1	1
3		1157339	Wireform, Custom - 80" (15-15/16")	1	1
4		1152549	Keeper, Mattress (36" W)	1	1
4		1159576	Keeper, Mattress (42" W)	1	1
4		1159606	Keeper, Mattress (39" W)	1	1
5		1153380	Aftermarket Pan Deck Kit	1	1

# Miscellaneous Electronics - Battery and Actuators

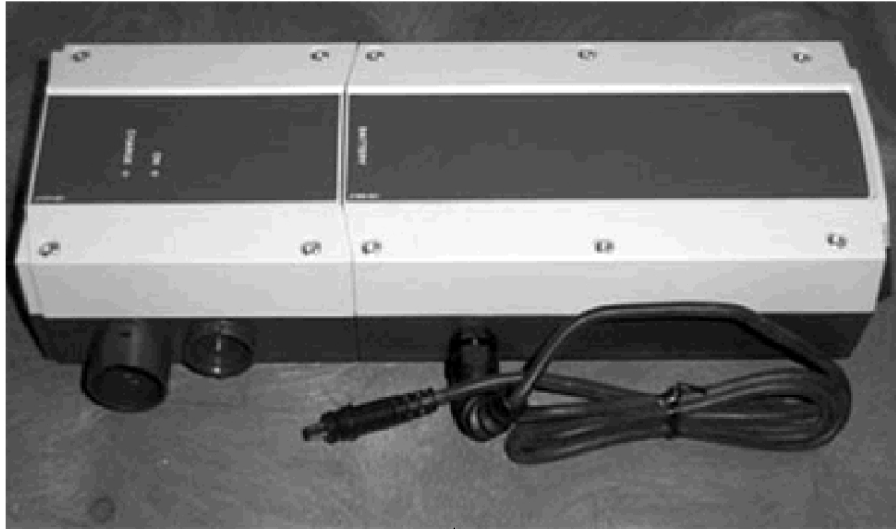


## Miscellaneous Electronics - Battery and Actuators

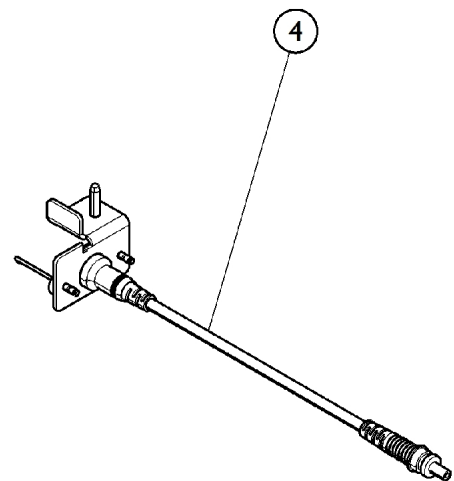
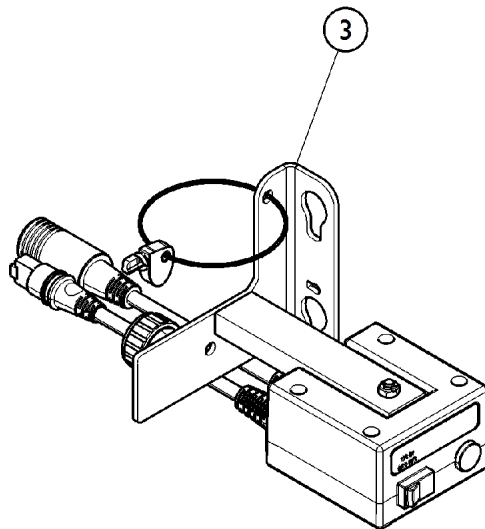
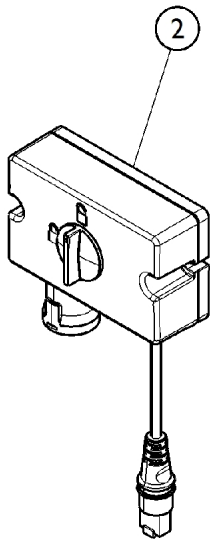
Item Number	Note	Part Number	Description	Quantity Per	
				Package	Assembly
1	A	1175549	Battery, On Board Backup	1	1
8		1147571	Actuator, Head w/ CPR Quick Release	1	1
9		1149710	Bracket, Bed End - Foot (CPR Release Beds)	1	1
10		1147271	Cable, T, w/ Footboard Staff Control (Long)	1	1
11		1147239	Screw, CPR Release	1	1

NOTE: A - Kit also includes items 2 - 7.

# Miscellaneous Electronics - Backups and Controls



1



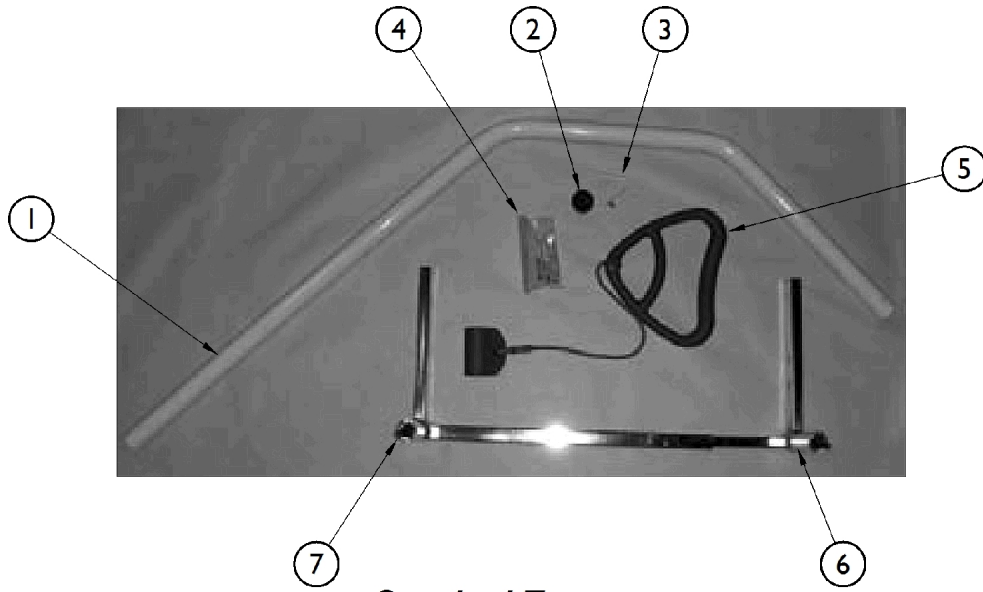
## Miscellaneous Electronics - Backups and Controls

Item Number	Note	Part Number	Description	Quantity Per	
				Package	Assembly
1		IHARBATPU	Portable Battery Unit	1	1
2	A	1147270	NLA - Box, Lockout, Control, Attendant	1	1
3	B	1157344	Box, Lockout, Neeco-Tron	1	1
4		1175550	CS Battery Cable Port	1	1

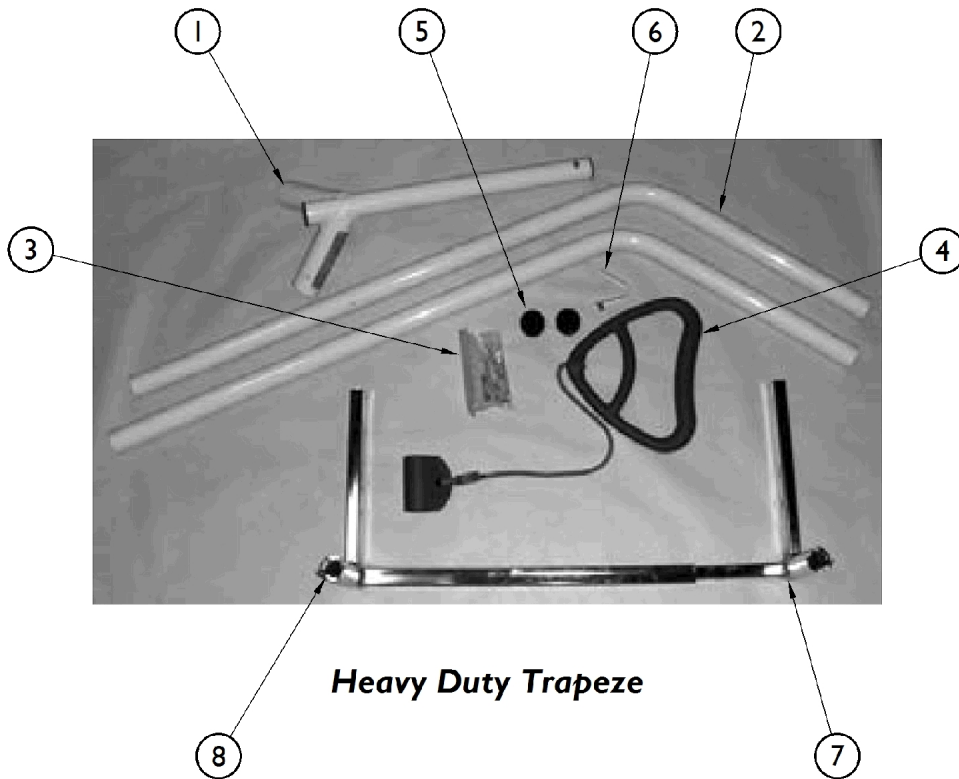
NOTE: A - Used prior to July 2009.  
 B - Used as of July 2009.



# Trapeze



**Standard Trapeze**



**Heavy Duty Trapeze**

# Trapeze

Item Number	Note	Part Number	Description	Quantity Per	
				Package	Assembly
	A	IHCSTRP	Standard Trapeze	1	1
1		1153383	Standard Trapeze Bar	1	1
2		1146345	Plug Button, Round, Black (1-1/2")	1	1
3		1147186	Button, Snap	1	1
4	C	1153381	Kit, Hardware - Standard Trapeze	1	1
			Lock Nut, Purple Insert (1/4-20)	2	1
			Washer (3/4 x 1 x 11/64)	2	1
5		1147563	Handle, Trapeze Bar	1	1
6	D	1147610	Bracket, Mounting, Trapeze - Right	1	1
7	D	1147611	Bracket, Mounting, Trapeze - Left	1	1
	E	1152551	Wireform, Trapeze - 80" (14-7/16")	1	1
	B	IHCSTRPHD	Heavy Duty Trapeze	1	1
1		1153384	Boom, Heavy Duty Trapeze	1	1
2		1147211	Heavy Duty Trapeze Bar	1	2
3	C	1153382	Kit, Hardware - Heavy Duty Trapeze	1	1
			Screw, Hex Head Cap (1/4-20 x 2-1/4")	2	1
			Lock Nut, Purple Insert (1/4-20)	2	1
4		1147563	Handle, Trapeze Bar	1	1
5		1146345	Plug Button, Round, Black (1-1/2")	1	2
6		1147186	Button, Snap	1	2
7	D	1147610	Bracket, Mounting, Trapeze - Right	1	1
8	D	1147611	Bracket, Mounting, Trapeze - Left	1	1
	E	1152551	Wireform, Trapeze - 80" (14-7/16")	1	1
<p>NOTE: A - Includes items 1 - 8.            B - Includes items 1 - 9.            C - Includes (2) Screws and (2) Lock Nuts (2).            D - Order as a pair only.            E - Not shown in pictures.</p>					

# Bed Transporter



Item Number	Note	Part Number	Description	Quantity Per	
				Package	Assembly
1		BDTRANSPORT CS	Bed Transporter	1	1



*Yes, you can.*

