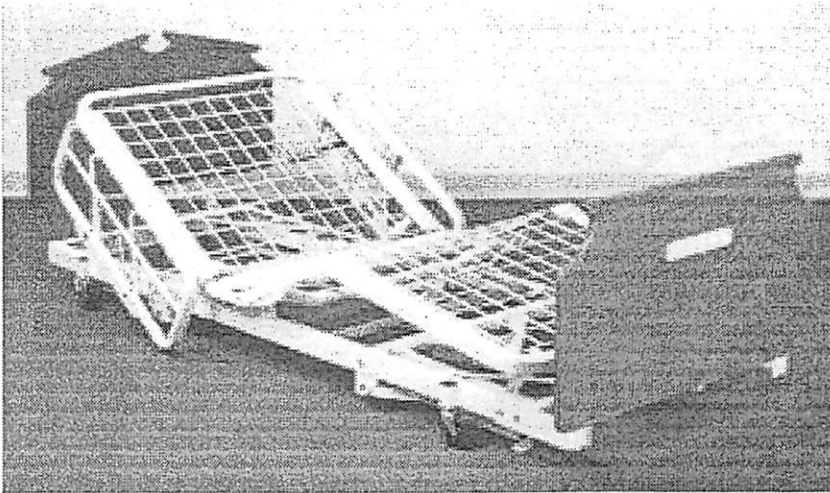


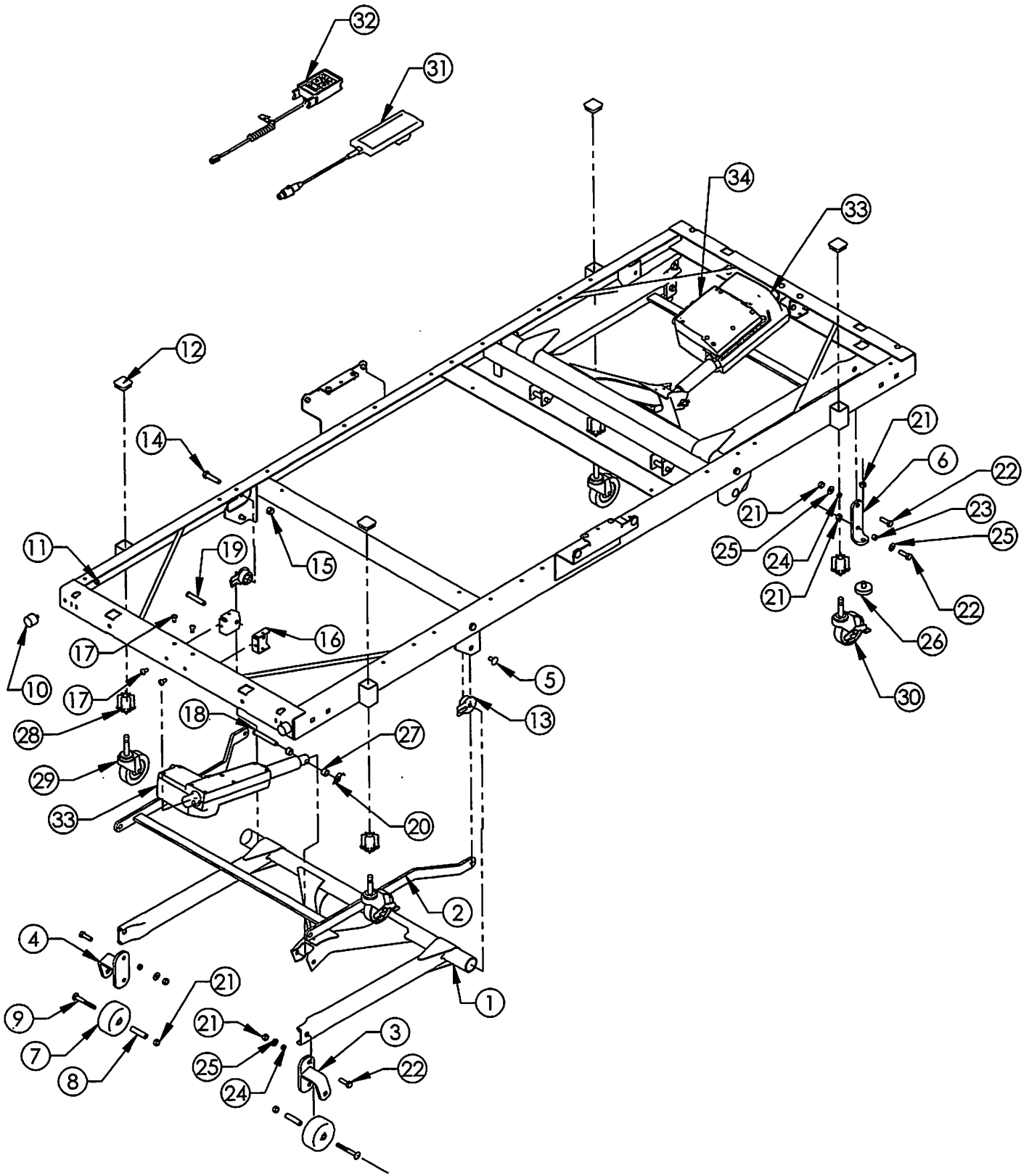


Parts List for
Joerns®
Easy Care® 2004

Model B675



To avoid injury, read manual before using bed.

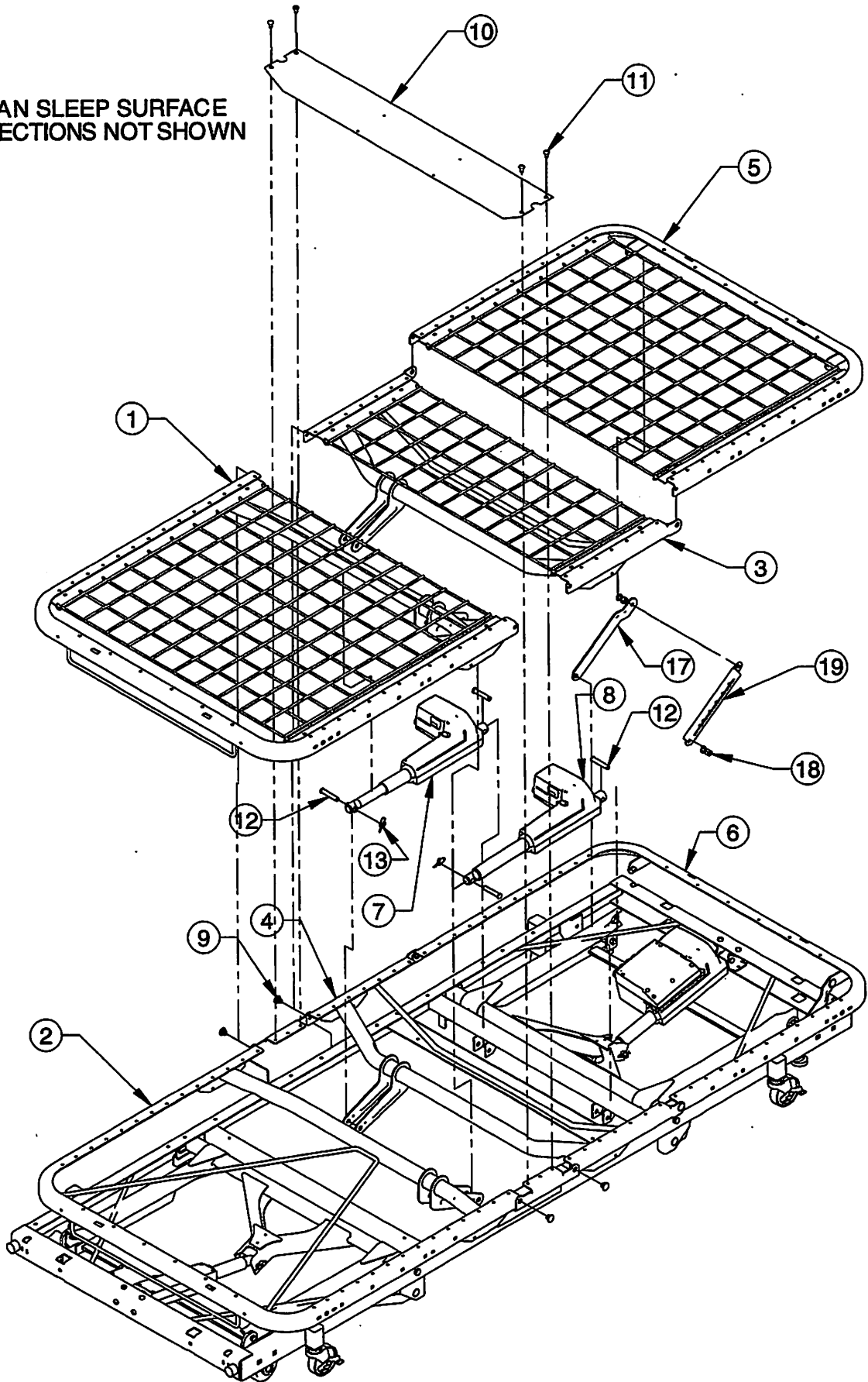


ITEM NO.	PART NO.	DESCRIPTION	QUANTITY			
			6750GS 80" GRID	6756GS 76" GRID	6750PS 80" PAN	6756PS 76" PAN
1	24006148	WLD., LIFT MECHANISM	2	2	2	2
2	24006150	WLD., STABILZER LINK	2	2	2	2
3	24006151	WELDMENT, WHEEL MOUNT RIGHT	1	1	1	1
4	24006161	WELDMENT, WHEEL MOUNT LEFT	1	1	1	1
5	11011974	RIVET, SHOULDER	4	4	4	4
6	11011972	LINK, FIXED END	2	2	2	2
7	10630312	WHEEL, 3"X1.25 w/.437 BORE	2	2	2	2
8	11011985	SPANNER, LONG	2	2	2	2
9	12523160	BOLT, CARRIAGE 5/16-18 X 2 1/2	2	2	2	2
10	12453102	BUMPER,	2	2	2	2
11	12672501	NUT, 1/4-20 HEX KEPS	2	2	2	2
12	12470453	CAP, END	4	4	4	4
13	11009158	LIFT LEVER BEARING	4	4	4	4
14	12523753	BOLT,3/8-16 X 1-1/2	4	4	4	4
15	12672718	NUT,LOCK ELASTIC 3/8-16 HEX	4	4	4	4
16	11011119	MOTOR MOUNT, BRKT. PTD	4	4	4	4
17	12552579	SCREW, 1/4-20 X 1/2 TP	8	8	8	8
18	12793110	PIN, CLEVIS 3/8 X 2-5/8	2	2	2	2
19	12793106	PIN, CLEVIS 3/8 X 2	2	2	2	2
20	12800032	RING, RUE-22	4	4	4	4
21	12673104	NUT, TORQUE 5/16-18	10	10	10	10
22	12523754	BOLT, HEX 5/16-18 X 1	6	6	6	6
23	11011986	SPANNER, SHORT	2	2	2	2
24	11008066	BUSHING	4	4	4	4
25	12847531	WASHER, .688 X .344	6	6	6	6
26	12453706	PAD, FLOOR EC2004	2	2	2	2
27	12210038	BUSHING, PLASTIC, .412 ID X .592 OD	4	4	4	4
28	11009561	SOCKET, CASTER STANDARD	4	4	4	4
29	10630301	CASTER, 3" W/O BRAKE	2	2	2	2
30	10630305	CASTER, 3" WITH BRAKE	4	4	4	4
31	39000800	KIT, STANDARD PENDENT	1	1	1	1
32	39000801	KIT, STAFF CONTROL & PATCH CORD	1	1	1	1
33	39000809	KIT, ACTUATORS, MATCHED EC2004	1	1	1	1
34	39000804	KIT, CONTROL BOX	1	1	1	1
35	39000805	KIT, POWER CORD, LINAK (NOT SHOWN)	1	1	1	1

MPS

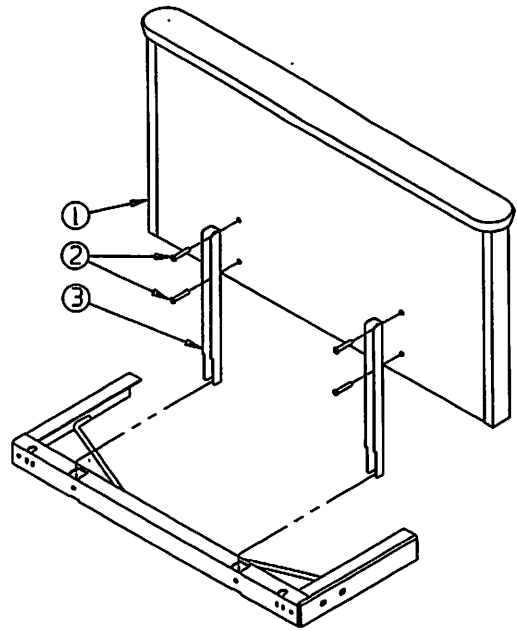
MEDICAL PARTS SOURCE

PAN SLEEP SURFACE
SECTIONS NOT SHOWN



ITEM NO.	PART NO.	DESCRIPTION	QUANTITY			
			6750GS 80"	6756GS 76"	6750PS 80" PAN	6756PS 76" PAN
1	24006153	WLD., 80" GRID BACK SECTION	1	-	-	-
	24006154	WLD., 76" GRID BACK SECTION	-	1	-	-
2	24006155	WLD., 80" PAN BACK SECTION	-	-	1	-
	24006156	WLD., 76" PAN BACKSECTION	-	-	-	1
3	24006123	WLD., KNEE SECTION GRID	1	1	-	-
4	24005747	WLD., KNEE SECTION PAN	-	-	1	1
5	24006124	WLD., FOOT SECTION GRID	1	1	-	-
6	24005608	WLD., FOOT SECTION PAN	-	-	1	1
7	11011990	ACTUATOR, EC2004 KNEE	1	1	1	1
8	11011989	ACTUATOR, EC2004 BACK	1	1	1	1
9	11005786	RIVET, SHOULDER	10	10	10	10
10	11010371	PAN, SEAT	1	1	1	1
11	12552579	SCREW, 1/4-20 X 1/2 TP	4	4	44	44
12	12793106	PIN, CLEVIS 3/8 X 2	4	4	4	4
13	12800032	RING, RUE-22	4	4	4	4
14	11010298	PAN,76/HD/FT & 80/FT PTD (NOT SHOWN)	-	-	1	2
15	11007881	PAN, KNEE PTD (NOT SHOWN)	-	-	1	1
16	11010297	PAN, HEAD PTD (NOT SHOWN)	-	-	1	-
17	11011348	LINK, FOOT LEVELER	2	2	2	2
18	39000052	KIT, BUSHING RIVET REPLACEMENT	10	10	10	10
19	39000794	KIT, FOOT LEVELER, GATCH	2	2	2	2

3	11010177	HEAD PANEL BRACKET	2
2	12542525	SCREW, 1/4-20 X 1/2"	4
1	----	HEAD PANEL	1
ITEM	PART NO.	DESCRIPTION	QTY.



5	12672503	NUT, LOCK ELASTIC 1/4-20	4
4	12542525	SCREW, 1/4-20 X 1/2"	8
3	11010253	FOOT PANEL BRACKET LH	1
2	11010252	FOOT PANEL BRACKET RH	1
1	----	FOOT PANEL	1
ITEM	PART NO.	DESCRIPTION	QTY.

