

UNIVERSAL Q-BAR
Quad Shaped Patient Assist Bar

Attaches to most Bed Frames
Rectangular Tube, Angle Iron and Round Tube

Item # 95-UQB950

Installation Manual

Parts list included in box as per Figure # 1:

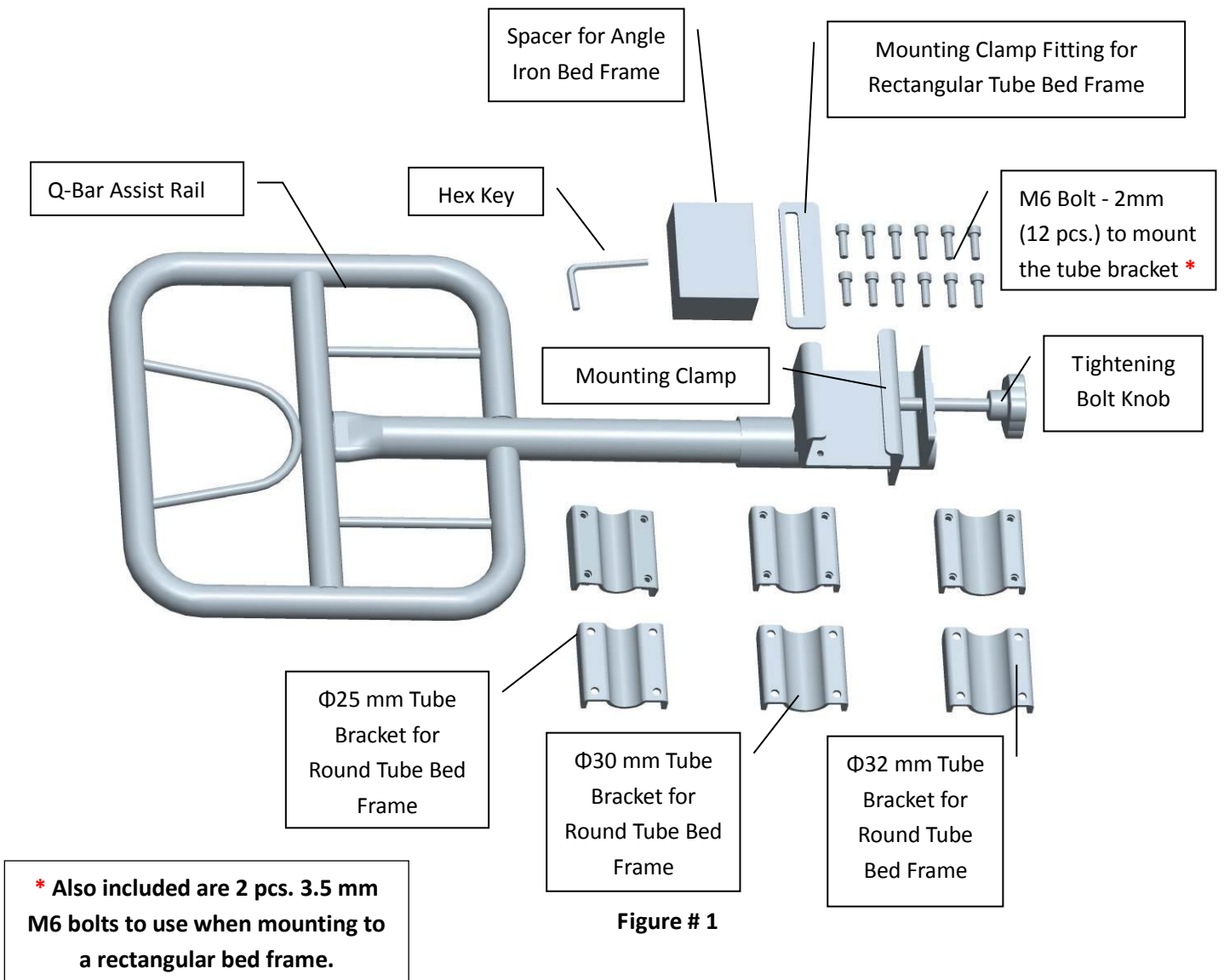


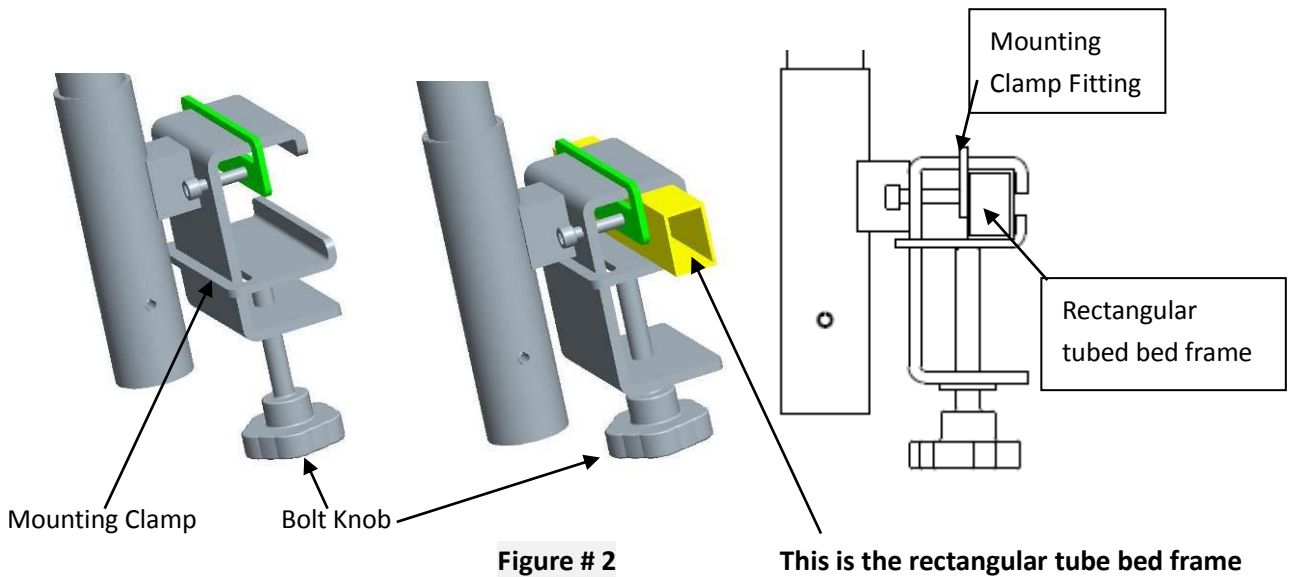
Figure # 1

Universal Q-Bar - Patient Assist Rail - Installation

The Universal Q-Bar attaches to most bed frames: Rectangular Tube, Angle Iron and Round Tube

FOR A RECTANGULAR TUBE BED FRAME:

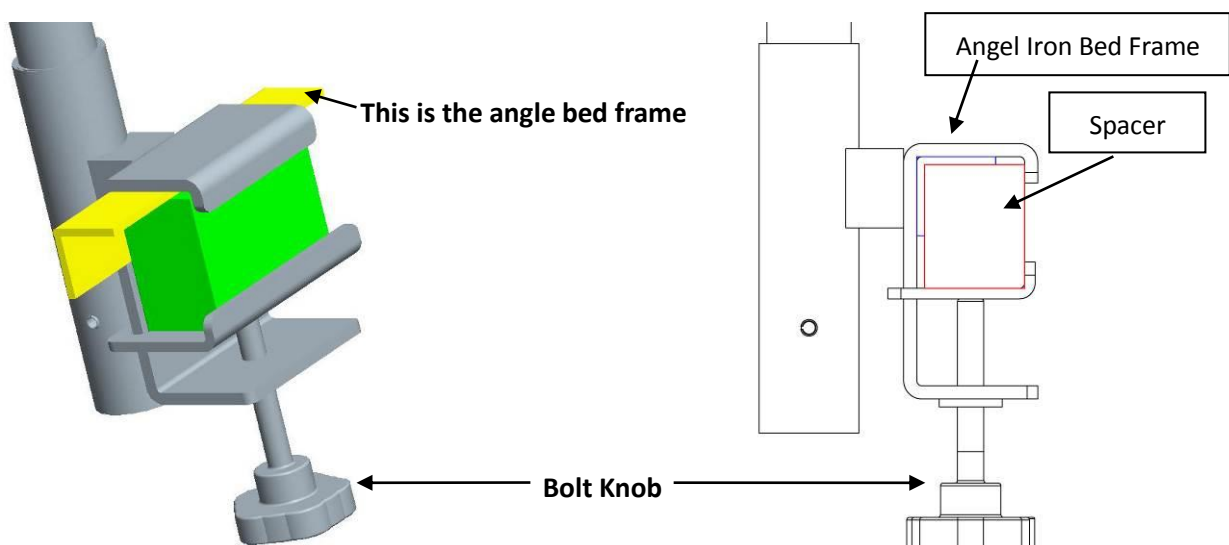
Attach the Q-Bar with the mounting clamp to the bed frames rectangular tube, adding the spacer **if necessary**. Use the included Mount Clamp Fitting to secure the Mounting Clamp to the bed frame and after adjusting to the desired position secure the mounting clamp with the **2 pcs. longer bolts - M6 3.5 mm long bolts**. Tighten the Bolt Knob to secure the Q-Bar to the bed frame as per Figure # 2.



FOR AN ANGLE IRON BED FRAME:

(It is not necessary to use the M6 X 30 bolt and Mounting Clamp Fitting)

Attach the Q-Bar to the angle iron bed frame, adding the spacer. Tighten the Bolt Knob after adjusting to the desired position on the bed frame as per Figure # 3.



FOR A ROUND TUBE BED FRAME:

(It is not necessary to use the Mounting Clamp Fitting)

Use the round tube brackets which come in 3 sizes, 25, 30 or 32 mm diameter. The size is imprinted on the top of the bracket.

Select the correct diameter size for your bed frame, 2 pcs. matching brackets (make sure to match the same size).

First attach the 2 brackets to the bed frame with 4 pcs. of the M6 bolt by using the hex key.

Make sure to insert the M6 bolt through the wider hole first.

Then install the Q-Bar and tighten the Bolt Knob after adjusting to the desired position as per Figure # 4.

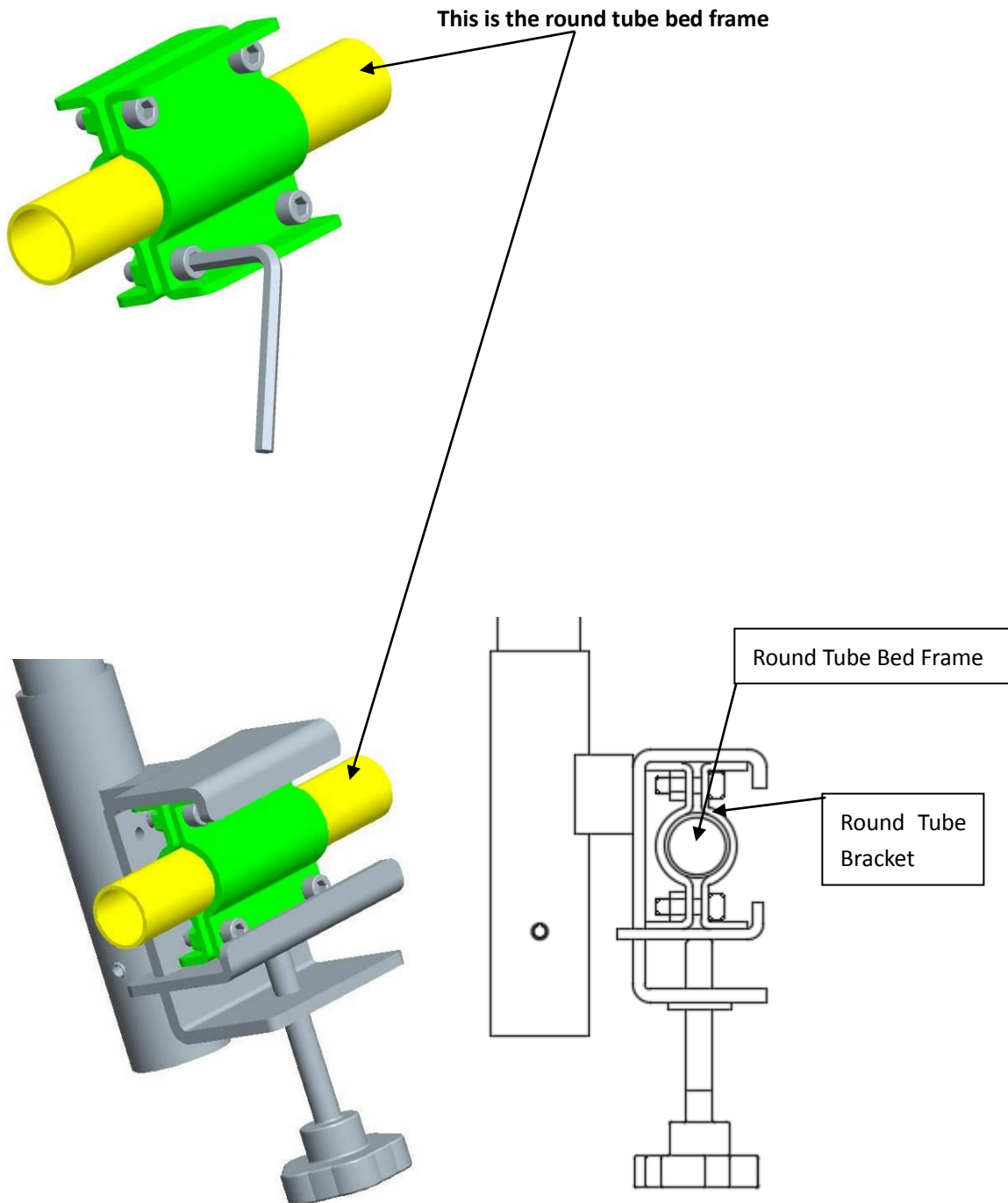


Figure # 4

For patients that need to grab a rail to reposition themselves or exit the bed, the **Universal Q-Bar** provides sturdy and safe support. Rotates 90 degrees in either direction to accommodate different user positions and allows for ease of bed exit.

Pull up the Q-Bar and turn clockwise or counter clockwise 90 degrees. The Q-Bar will lock in position as per Figure # 5.

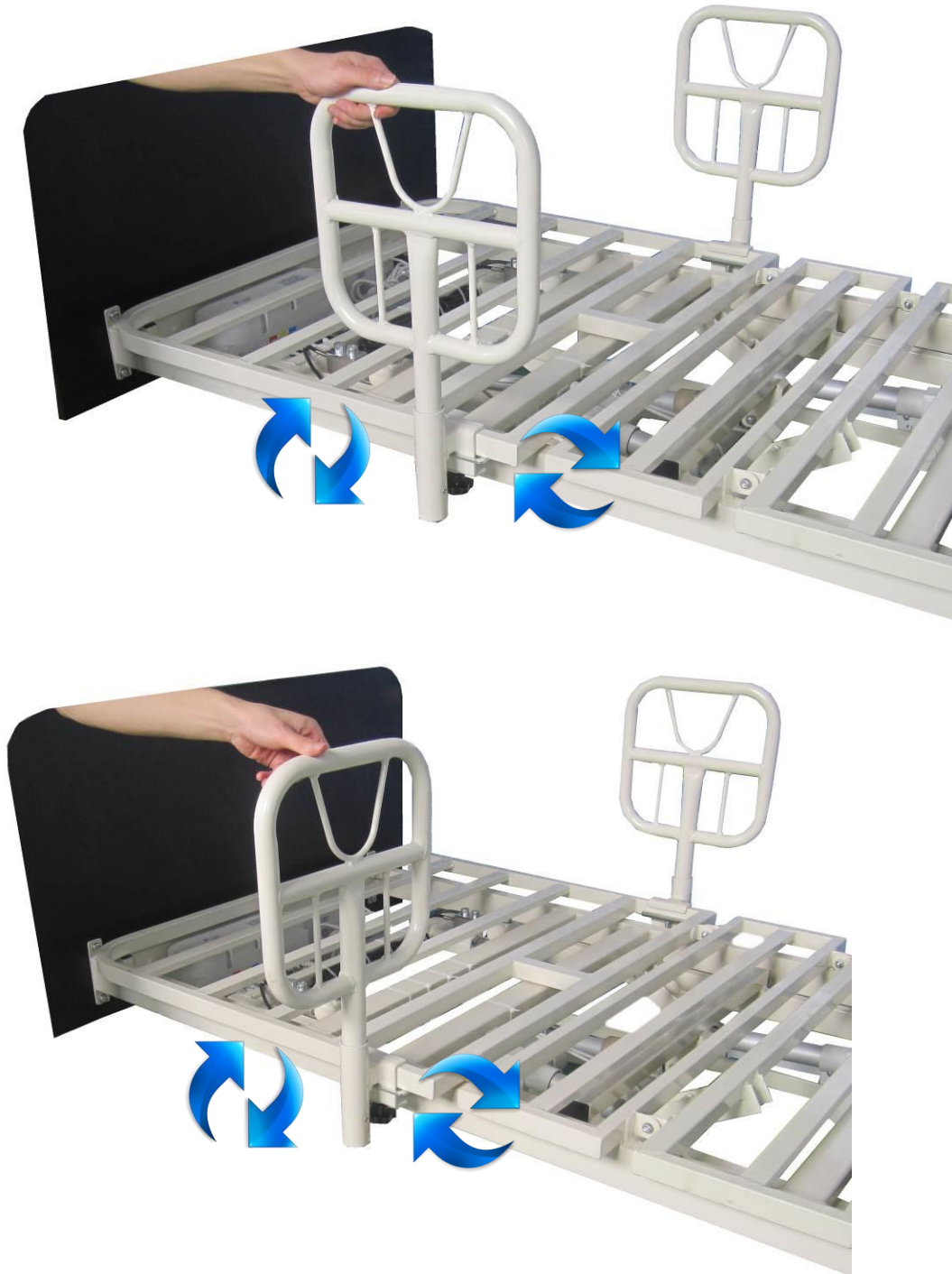


Figure # 5