

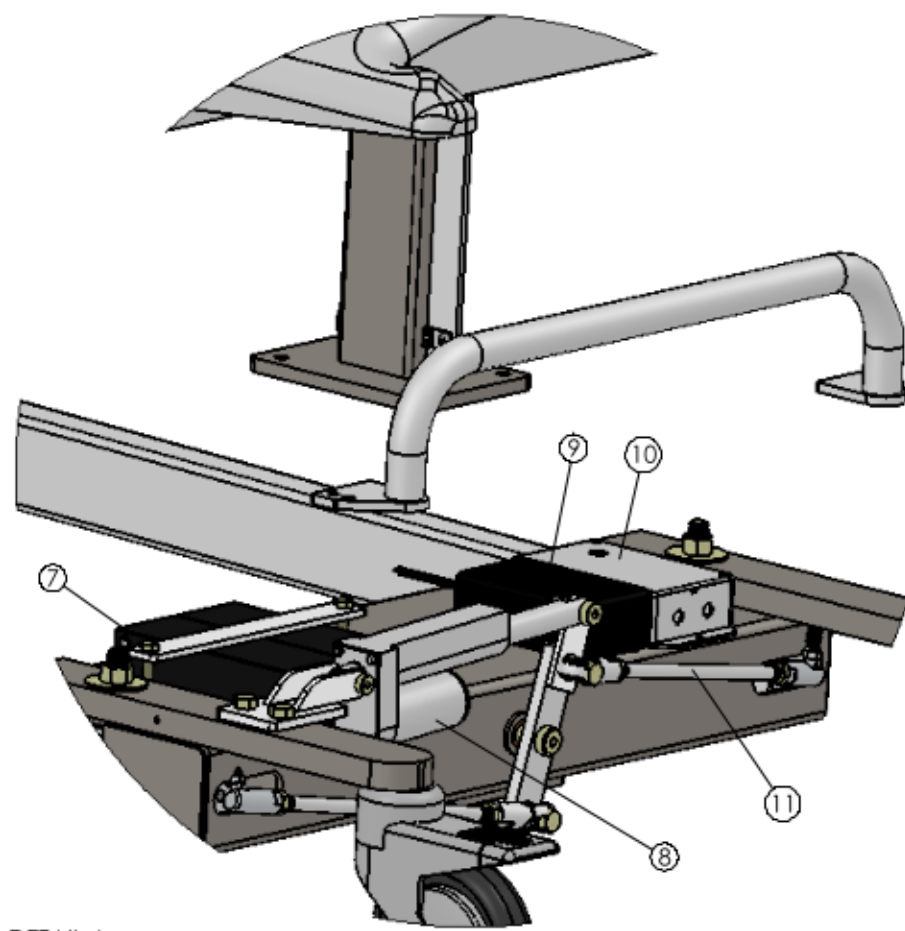
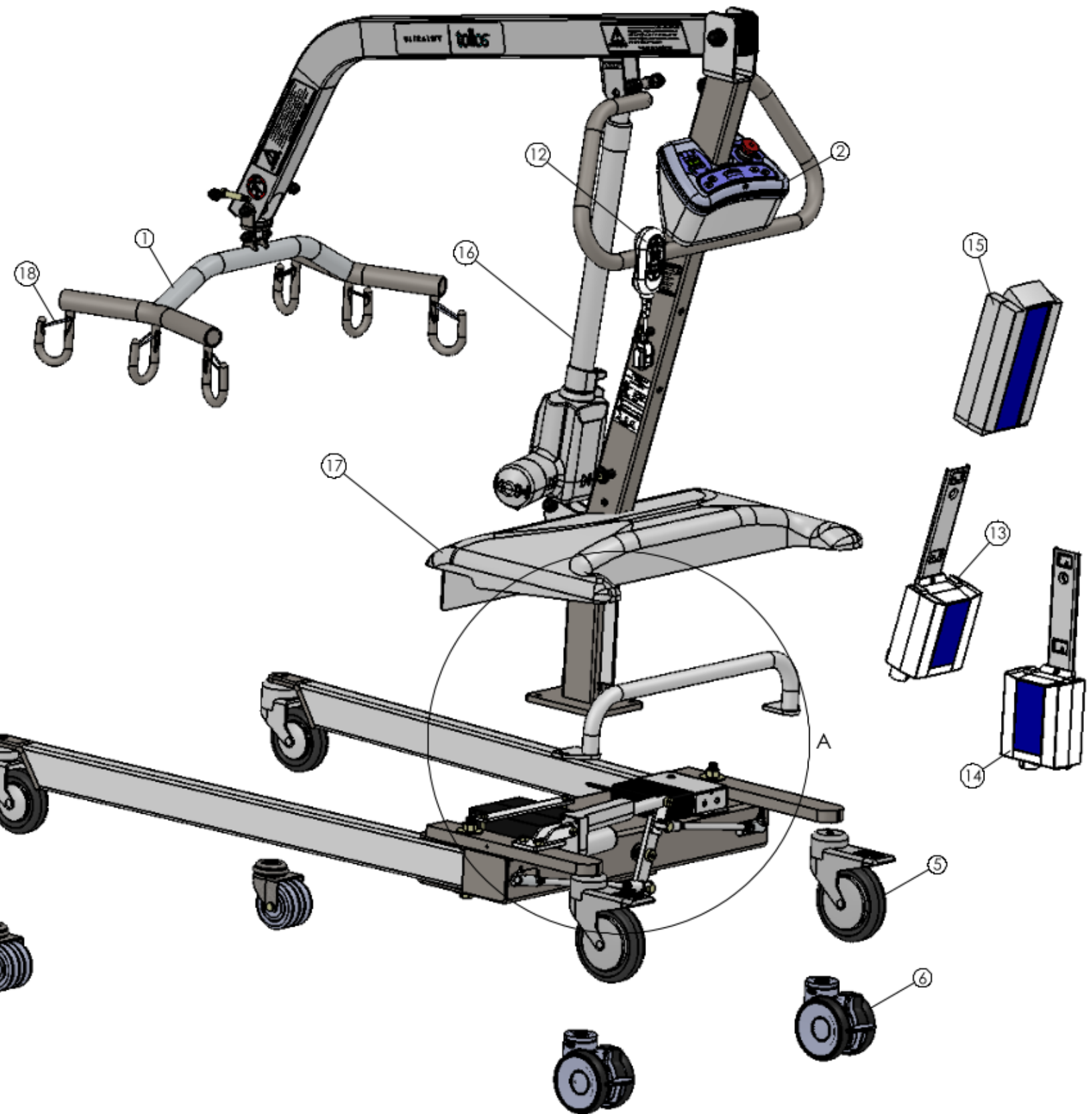
**tollos**  
EQUIPPED FOR LIFE

# TUL3510XH & TUL3510XP with IQ Technology

REV. 3-15-13

**MPS**  
MEDICAL PARTS SOURCE

ITEM#	PART#	DESCRIPTION
1	T6192SL	Spreader Bar Assembly - 6-Point Spring Loaded
2	2500-330	Control Box Assembly
3	2500-648	Caster - 4" single front swivel
4	2500-104	Caster - 3" dual front swivel
5	2500-643	Caster - 5" single rear locking
6	2500-700	Caster - 4" dual rear locking
7	5004-113	Battery - 12V 2.6 Amp
8	2500-536	Actuator - Leg Opening
9	3000-188RMO	Battery Charger 24VDC Soneil with Molex Connector
10	3000-384	Control Board - ML - Main Motion - Serial to Mast
11	2800-160	Tie Rod Assembly 3/8" Ultra-Lift & Steady-Aid
12	2500-381	Hand Control - 4-Function 9-Pin
13	2800-168	Lift Connection Box -CHJ "Bare Bones" - Linak
14	2800-167	Wall Mount Charging Station-24V DC - Jumbo System - Linak
15	2800-166	Battery Pack Removable 24V DC 2.9Ah-Linak Jumbo system
16	2500-564	Actuator-10 000N 400mm stroke Linak
17	2500-699	Shroud for Low Profile Ultra-Lift
18	2500-818	Spreader Bar Clip - Spring Wire



DETAIL A  
SCALE 1 : 5