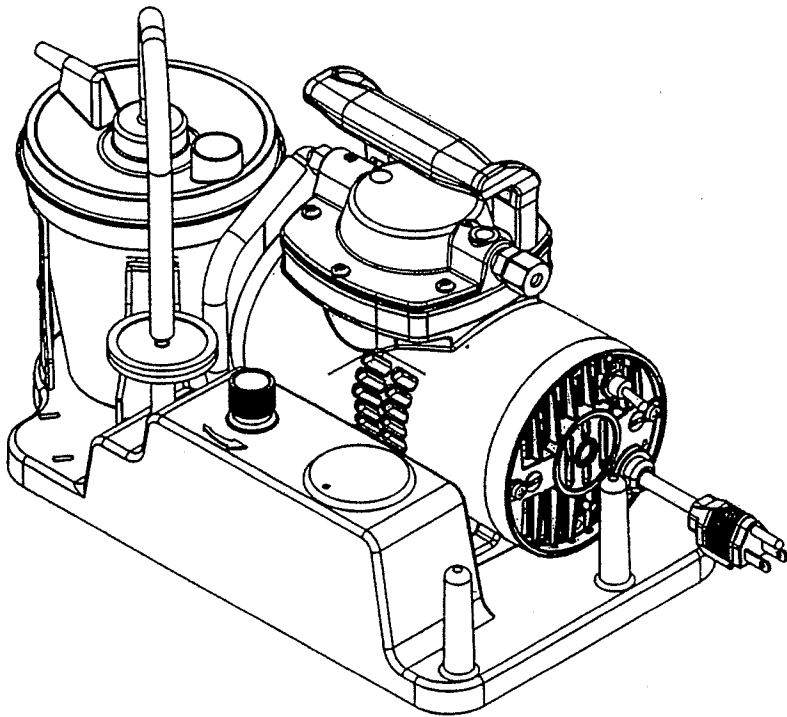




## Aspirator Model S330



**CAUTION: Rx ONLY**

**READ ALL INSTRUCTIONS BEFORE USING THIS DEVICE**

# Important Safeguards

This Schuco product is an electrical device. Always follow basic safety precautions when using this device, especially when invalids and children are present. The following important information is highlighted by these terms:

**DANGER-** Urgent safety information for hazards that will cause serious injury or death.

**WARNING-** Important safety information for hazards that might cause serious injury.

**CAUTION-** Information for preventing damage to the product.

**NOTE-** Information to which you should pay special attention.

## SYMBOLS



ATTENTION - Followed by important information

## ELECTRICAL

The motor of this compressor has a thermal overload protector. If the motor should overheat, the overload protector will shut off the motor. If this should occur, shut the compressor off and allow the motor to cool (approximately 5 minutes). If the compressor fails to start, check for circuit breakers activated or blown fuses, the compressor may need to cool further before attempting to restart. If the overload protector shuts off the motor frequently, you may have a low voltage situation. Low voltage can also be suspected when:

1. The motor does not get up to full power or speed.
2. Fuses or circuit breakers activate when starting the compressor.
3. Lights dim or remain dim when the compressor is started.
4. Other motor operated appliances fail to operate properly. Too many motor operated appliances on the same circuit.

## EXTENSION CORDS

Make certain your extension cord is in good condition. Make certain your extension cord wire size is not less than 18 gauge for 25 feet, 16 gauge for 50 feet, and 14 gauge for 100 feet.

# Important Safeguards

---

## SAVE THESE INSTRUCTIONS



**DANGER-** To reduce the risk of electrocution:

- 1 Always unplug this product immediately after using.
- 2 Do not use while bathing.
- 3 Do not place or store product where it can fall or be pulled into a tub or sink.
- 4 Do not place in or drop into water or other liquid.
- 5 Do not reach for a product that has fallen into water. Unplug immediately.



**WARNING-** To reduce the risk of burns, electrocution, fire, or injury to persons.

- 1 Never leave this product unattended when plugged in.
- 2 Use this product only for its intended use as described in the operator manual. Do not use attachments not recommended by the manufacturer.
- 3 Closely monitor and supervise use by, on, or near invalids and children.
- 4 Never operate this product if:
  - a. It has a damaged power cord or plug.
  - b. It is not working properly.
  - c. It has been dropped or damaged.
  - d. It has been dropped into water.Return the product to an authorized Allied Healthcare service center or distributor.

- 5 Keep the power cord away from heated surfaces.
- 6 Never use while sleeping or drowsy.
- 7 Never drop or insert any object into any opening or hose.
- 8 Do not use outdoors or operate where aerosol (spray) products are being used or where oxygen is being administered.
- 9 Never block the air openings of the device or place it on a soft surface, such as a bed or couch, where the air openings may be blocked. Keep the air openings free of lint, hair, and the like.



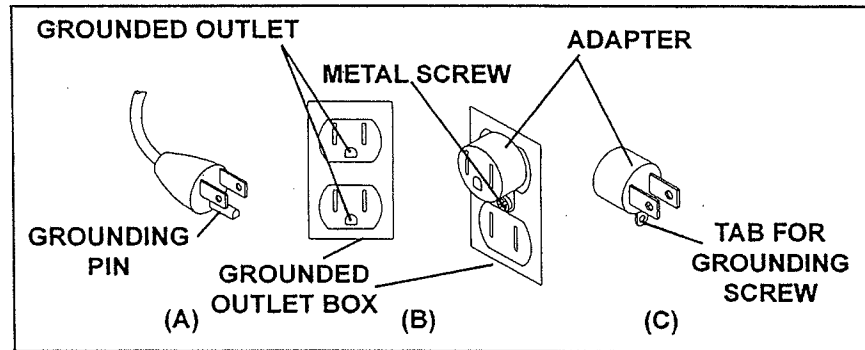
**DANGER-** The Schuco aspirator is a vacuum suction device designed for the collection of nonflammable fluid materials in medical applications only. Improper use during medical applications can cause injury or death.

# Important Safeguards

## GROUNDING INSTRUCTIONS

This product should be grounded. In the event of an electrical short circuit, grounding reduces the risk of electric shock by providing an escape wire for the electric current. This product is equipped with a cord having a grounding wire with a grounding plug. The plug must be plugged into an outlet that is properly grounded.

**⚠ WARNING-** Improper use of the grounding plug can result in a risk of electric shock. If repair or replacement of the cord or plug is necessary, do not connect the grounding wire to either flat blade. The wire with insulation having an outer surface that is green, with or without yellow stripes, is the grounding wire. If the grounding instructions are not completely understood, or if in doubt as to whether the product is properly grounded, check with a qualified electrician or serviceman.



The S430 is for use on a nominal 115V 60Hz circuit and has a grounding plug that looks like the plug illustrated in Fig. (A). A temporary adapter, which looks like the adapter illustrated in Fig (B) and (C) may be used to connect this plug to a 2-pole receptacle as shown in Fig. (B), if a properly grounded outlet is not available. The temporary adapter should be used only until a qualified electrician can install a properly grounded outlet, Fig. (A). The green colored rigid ear, tab, etc. extending from the adapter must be connected to a permanent ground such as a properly grounded outlet box cover. Whenever the adapter is used, it must be held in place by a screw.

**⚠ WARNING:** THIS PRODUCT SHOULD NOT BE OPERATED UNLESS THE OPERATOR HAS BEEN INSTRUCTED BY A PHYSICIAN OR OTHER QUALIFIED HEALTH CARE PROFESSIONAL.

# Table Of Contents

---

<b>Introduction</b>	<b>6</b>
<b>Specifications</b>	<b>6</b>
<b>Important Parts of the Device</b>	<b>7</b>
<b>Set-Up</b>	<b>8</b>
<b>Operating Instructions</b>	<b>8</b>
<b>Cleaning the Device</b>	<b>9</b>
<b>Replacement Parts</b>	<b>10-11</b>
<b>Filter and Muffler Replacement</b>	<b>12</b>
<b>Troubleshooting Guide</b>	<b>13</b>
<b>Maintenance</b>	<b>14</b>
<b>Warranty Information</b>	<b>15</b>

# Introduction

**Purpose of Device**  
The Schuco aspirator is a suction device to remove body fluids from a patient's airway or respiratory system.

**Description of Device**  
The Schuco aspirator was created for home care use. It was designed with a high performance vacuum pump. That results in strong vacuum with shorter suction level recovery times. The device has a built in vacuum regulator and gauge in a non-rusting base. The jar holder will accommodate a 800cc size collection jar. (P/N S1160B)

## Specifications

**SIZE**  
14.75" L x 8.25" W x 10.01" H  
(375mm x 255mm x 210mm)

**WEIGHT**  
11 Lbs. 8 oz.  
(5.21 kilograms)

## ELECTRICAL REQUIREMENTS

Model No. S330-115V 60HZ, 2.7A  
**OPERATING TEMPERATURE**  
Ambient temperature range  
104°F max./50°F min.  
(40°C max./10°C min.)

**Storage:**  
Room temperature preferred

**Color:**  
Eggshell white and blue

**Flow Rate:**  
30 LPM

**Suction Range:**  
560mm Hg @ Sea Level

# Important Parts of the Model S330 Device

Familiarize yourself with the important parts shown below before set-up.

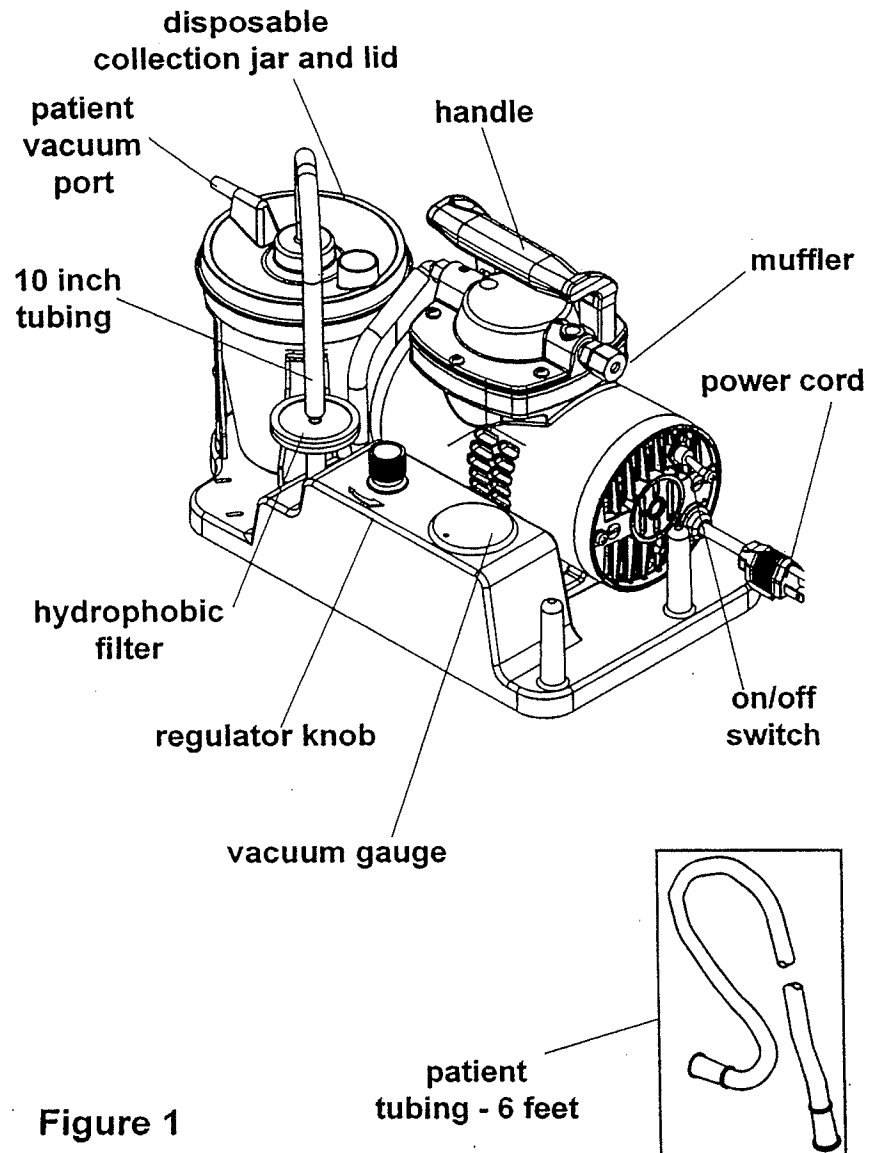


Figure 1

# Set Up

---

Refer to FIGURE 1

1. Set the device on a level, sturdy surface so the controls can be easily reached and adjusted.
2. Short tubing (10") should be connected to the hydrophobic filter barb and other end to collection jar inlet stem.
3. Connect one end of the patent tubing to the patient vacuum port in lid. See #4 below for patient end of tubing.

## Note

The in-line hydrophobic filter is designed to prevent foreign material from being drawn into the device.

## Caution

Do not move this device with a full collection jar.

# Operation Instructions

---

Refer to FIGURE 1

1. Be sure that the power switch is in the off (down) position. Plug in the device and turn the switch to the ON ( up ) position.
2. Block the patient tube leading from the collection jar and allow the gauge to reach a stable vacuum level.
3. Set the vacuum level by turning the regulator knob counter-clockwise to increase vacuum or clockwise to decrease vacuum.
4. Your physician will have prescribed the use of a special vacuum instrument to aid suction. Insert this instrument onto the 6 foot long patient tubing as instructed by your qualified health care professional.



## Warning

Use the device the way it was intended and as instructed by your physician or qualified health care professional only.



## Warning

Use the vacuum setting directed by your physician or qualified health care professional only. Using a higher setting than instructed may lead to a life threatening situation.

NOTE: This procedure should be performed each time you use this device.



# Cleaning the Device

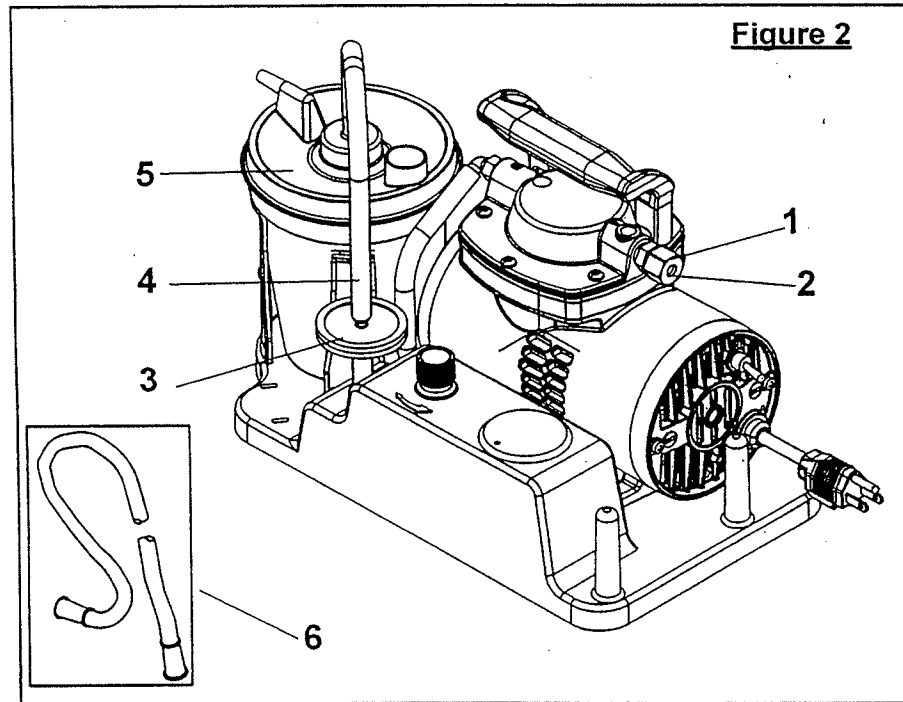
---

1. Make sure the ON/OFF switch is in the OFF (down) position and allow suction level to drop.
2. Unplug the device from the wall outlet
3. Remove the patient tubing from the lid vacuum port. Tubing must be cleaned after every use. Run hot tap water through it. Soak in a solution of one part vinegar to three parts hot water for 20 minutes. Rinse with hot tap water and air dry.
4. Remove the tubing from the patient vacuum port.
5. Wipe the outside of the case with a clean, damp cloth after each use.

**CAUTION**  
Never submerge this device in water, hold under running water or spray with water or other liquids. This will result in damage to the device.

# Replacement Parts

The following items may deteriorate over time. You will need to inspect and replace them to keep the device operational, and to maintain proper sanitary conditions. (Part #5 is disposable)



**Figure 2 - Parts List**

1	S626492	Muffer Cover
2	S641292	Muffer Filter
3	01-90-3928	Hydrophobic Filter (3 /pkg.)
4	S618254	10 Inch Tubing
5	S1160B-RPL	Jar & Lid Assembly (5 per case)
6	S615725	Patient Tubing - 6 Feet

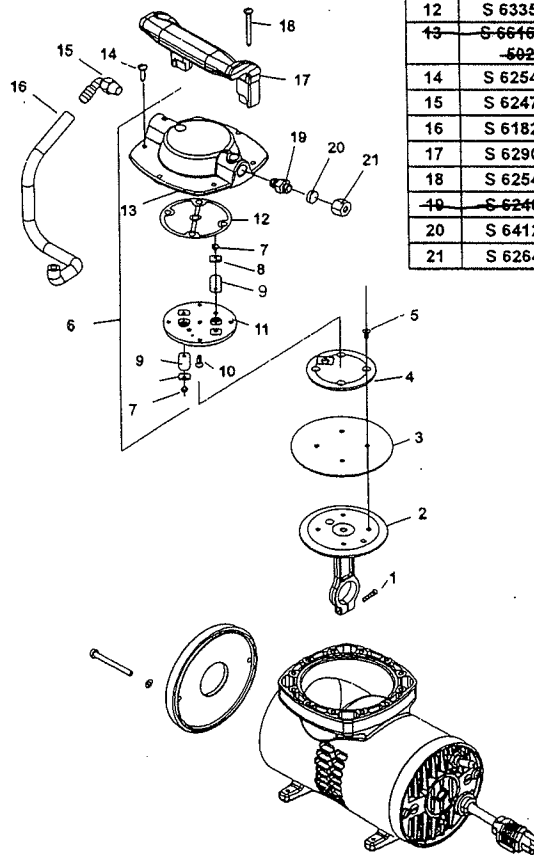
# Vacuum Pump Replacement Parts

The following items are service parts and should be replaced by a qualified service center or a distributor.

Item No.	Part No.	Description	Qty.
1	S 625114	Connecting Rod Screw	1
2	S 607333	Connecting Rod	1
3	S 608144	Diaphragm	1
4	S 654967	Hold Down Plate	1
5	S 625540	Hold Down Plate Screw	4
6	S 669297-502	Head & Valve Plate Ass'y	1
7	S 625160	Flapper Valve Screw	2
8	S 617045	Valve Keeper Strip	2
9	S 621102	Valve Flapper	2
10	S 625606	Valve Plate to Head Screw	5
11	S 662158	Valve Plate	1
12	S 633560	Head Gasket	1
<del>13</del>	<del>S 661663-502</del>	<del>Head</del>	1
14	S 625492	Head Screw	4
15	S 624704	Elbow Fitting - Barbed	1
16	S 618254	10" Tubing	1
17	S 629081	Handle	1
18	S 625493	Handle Screw	2
<del>19</del>	<del>S 624876</del>	<del>Muffler Fitting</del>	1
20	S 641292	Muffler Filter	1
21	S 626492	Muffler Cover	1

*NOT SELLABLE*

*NOT SELLABLE*



# Muffler and Filter Replacement

## Muffler Replacement

The muffler should be replaced every three months or if contaminated. See page 9, Figure 2, items 1 and 2.

- 1 Grasp the muffler cover firmly and unscrew it.
- 2 Lift out the old muffler with a tweezers and replace with the new muffler.
- 3 Screw the muffler cover back into the muffler fitting.

## Hydrophobic Filter Replacement

Change the filter whenever foreign material is drawn into it or if you notice a reduction in vacuum level. See Page 9, Figure 2, items 3 and 4.

- 1 Disconnect the 10" tubing from the barbed fitting on the top of the filter.
- 2 Gently pull the hydrophobic filter off of the 2 inch piece of plastic tubing from the regulator inlet port.
- 3 With the note on filter facing down, push the new filter onto the 2 inch plastic tubing from the regulator port.
- 4 Push the 10" tubing onto the barbed fitting on top of the filter.

## Note

If the muffler cover is dusty or clogged, hold it under running tap water to clean. Air dry.

## Caution

The hydrophobic filter is designed to prevent foreign material from being drawn into the device. Operating it without the hydrophobic filter may allow fluids to enter the device causing damage to its' internal components.

# Troubleshooting Guide

Symptoms	Possible Causes	Remedies
Reduced/low vacuum.	<ol style="list-style-type: none"> <li>1 Clogged hydrophobic filter.</li> <li>2 Regulator improperly set.</li> <li>3 Air leak.</li> <li>4 Jar lid or gasket not secured to jar.</li> </ol>	<ol style="list-style-type: none"> <li>1 Replace the filter following directions in this manual.</li> <li>2 Set regulator vacuum level following operating instructions.</li> <li>3 Check the tubing and connectors for possible leaks. Attach, tighten, or replace.</li> <li>4 Be sure the jar lid and gasket fit tightly on the jar.</li> </ol>
Device does not start.	<ol style="list-style-type: none"> <li>1 Power cord not plugged in.</li> <li>2 Defective switch.</li> <li>3 Vacuum still exists in system.</li> </ol>	<ol style="list-style-type: none"> <li>1 Plug in the power cord.</li> <li>2 Contact your service center or distributor.</li> <li>3 Disconnect tubing from the collection jar to release vacuum. Reconnect tubing and turn on the device.</li> </ol>
Gauge reads incorrectly.	Faulty gauge.	Contact service center for repair.
Device runs but gauge reads zero.	Gauge tubing not connected or is leaking.	Check the tubing and connector for leaks. Attach, tighten, or replace.
Device stops running during use.	<ol style="list-style-type: none"> <li>1 Device overheated.</li> <li>2 Blown fuse or circuit breaker in household circuit.</li> <li>3 Low voltage to device.</li> </ol>	<ol style="list-style-type: none"> <li>1 Unplug device and allow to cool for 10 minutes. Plug in and restart.</li> <li>2 Replace fuse or reset breaker.</li> <li>3 Too many motor operated appliances on same circuit.</li> </ol>

# Maintenance

---

All major maintenance on the device must be performed by an authorized Allied Healthcare service center or distributor.


## Caution

This device is oil-less, do not lubricate.

## Note

It will be necessary for you to provide your model number and serial number when contacting a service center for help.

You will find this information on the nameplate located behind the collection jar. Please take a moment to record this information for future use.

**WARNING**   
Do not take aspirator case apart. Failure to comply could result in electrical shock. All disassembly must be carried out by an authorized Allied Healthcare service center or distributor.

Aspirator model \_\_\_\_\_

Serial number \_\_\_\_\_

# Warranty Information

Schuco Inc. warrants the device for 18 months from the date of manufacture due to faulty parts or workmanship. Check with your dealer for more details.

**This warranty is limited to the original purchaser of the device. Any defective part(s) or assembly will be repaired or replaced, at the sole discretion and determination of Schuco Inc. if the unit has not been misused or tampered with during the warranty period.**

**Normal maintenance items, as outlined in this manual and disposable components are not covered by this warranty. Shipping charges, if any, shall be paid by the purchaser.**

## Note

You may determine the date of manufacture by reading the first 4 numbers from the serial number field of the nameplate. These numbers represent the month and year that the device was made. For example, if it reads "0204", the date of manufacture is February of 2004. If it reads "1295" the date of manufacture is December of 1995.

## Note

There is no other express warranty. Implied warranties, including those of merchantability and fitness for a particular purpose, are limited to the duration of the express limited warranty and to the extent permitted by law and all implied warranties are excluded. This warranty does not cover providing a loaner compressor, compensation for costs incurred for compressor rental, or for labor costs incurred in repairing or replacing a defective part(s).



1720 Sublette Avenue  
St. Louis, MO USA  
Phone: (314) 771.2400  
Fax: (314) 771-0650  
Toll Free 1-800-444-3954