



Medical Parts Source
800.779.2660

Parts Manual



Care Lifts

- #400001 Care Lift 475™
- #400019 Care Lift 600™
- #400000 LIBI Lift 475™
- #400003 Care Lift-n-Weigh 475™
- #400013 Care Lift-n-Weigh 600™

Care Stands

- #450006 Care Stand Plus 440™
- #450007 CareStand-n-WeighPlus440™
- #400006 Care Stand 500™
- #400007 Care Stand-n-Weigh 500™
- #400021 LIBI Stand 350™

Low Pro Lifts

- #450001 Low Pro 475™
- #450003 Low Pro Lift-n-Weigh 475™
- #450013 Low Pro Lift-n-Weigh 600™
- #450019 Low Pro 600™



**Car
Extractor**

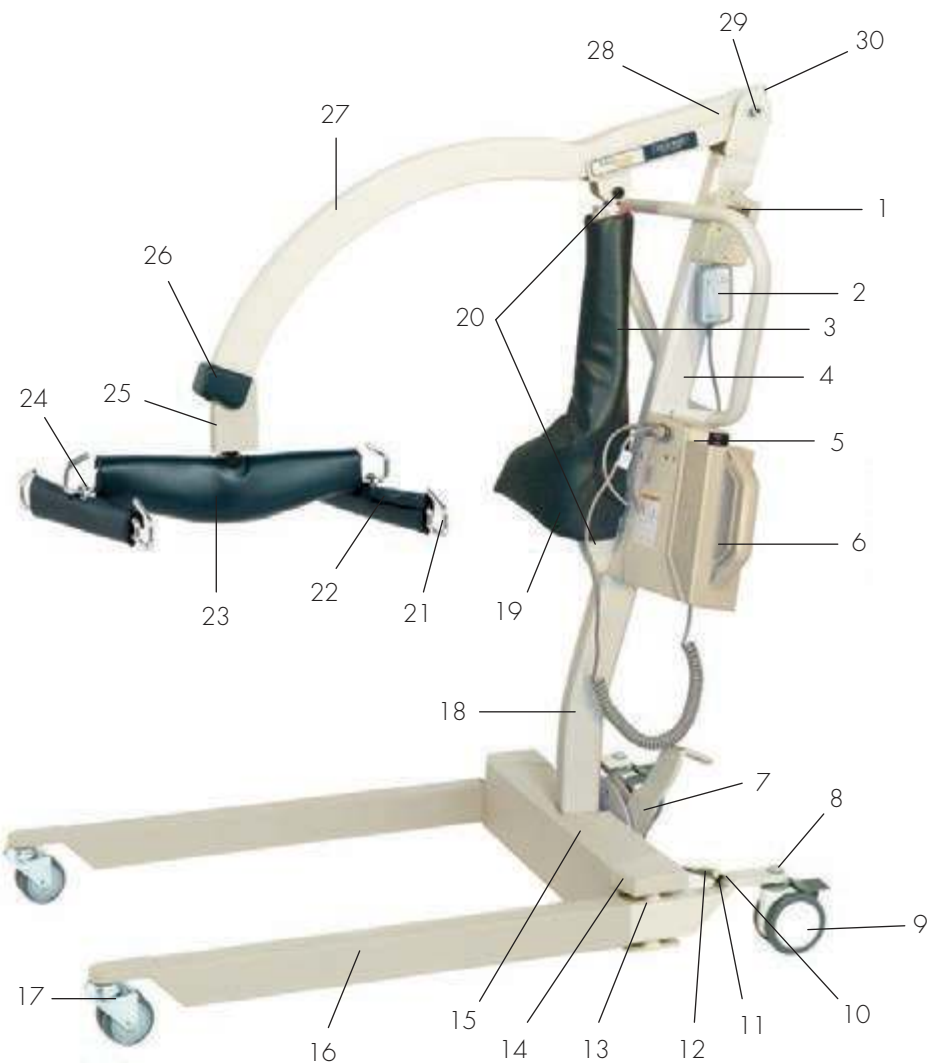
- #450000 475™
- #450045 Low Pro 475™



Care Lift Parts List

- 1 – 400700 Scale Display
- 400710 Scale Display Circuit Board
- 2 – 400990 Hand Control
- 3 – 400092 SKF Actuator Cover*
- 400338 Linak Actuator Cover*
- 4 – 400198 Lift Mast
- 400177 600 lb Lift Mast
- 5 – 400902 Receiver Box
- 400963 Receiver Circuit Board
- 400939 Receiver Box Plug (Toggle Switch)
- 400936 Circuit Breaker (On/Off Switch)
- 6 – 400901 Battery Pack
- 7 – 401350 Foot Pedal (Hardware Included)
- 401349 Foot Pedal Pin Refurb Kit
- 8 – 400324 Nylock Nut
- 9 – 400315 Rear Wheel (Hardware Included)
- 10 – 400150 Flat Washer
- 11 – 400575 Lock Washer
- 12 – 400569 Linkage Rod Refurb Kit
- 13 – 400499 Lift Leg
- 14 – 400599 Lift Base
- 400170 600 lb Lift Base
- 15 – 400510 Lift Base Cover
- 16 – 400410 Lift Leg Cover
- 17 – 400320 Front Wheel (Hardware Included)
- 400405 Cap Screw for Wheel
- 400325 Nylock Nut
- 18 – 400110 Mast Protector
- 19 – Contact Medicare for Actuator*
- 20 – 403125 SKF Lift Actuator Bolt Refurb Kit*
- 403126 Linak Lift Actuator Bolt Refurb Kit*
- 21 – 400606 Sling Support Bar
- 22 – 400096 Padded Hanger Bar Cover
- 23 – 400093 Padded Yoke Cover
- 24 – 400600 Scale Hanger Assembly
- 400600R Scale Hanger Rebuild (Contact Technical Support)
- 400607 Blank Scale Hanger
- 25 – 400625 Load Cell Housing
- 26 – 400620 Boom Head Cushion
- 27 – 400298 Lift Boom
- 28 – 400299 Boom Support
- 29 – 402950 Boom/Mast Bolt Refurb Kit
- 30 – 400220 Mast Cap

- #400001 Care Lift 475™
- #400019 Care Lift 600™
- #400000 LIBI Lift 475™
- #400003 Care Lift-n-Weigh 475™
- #400013 Care Lift-n-Weigh 600™



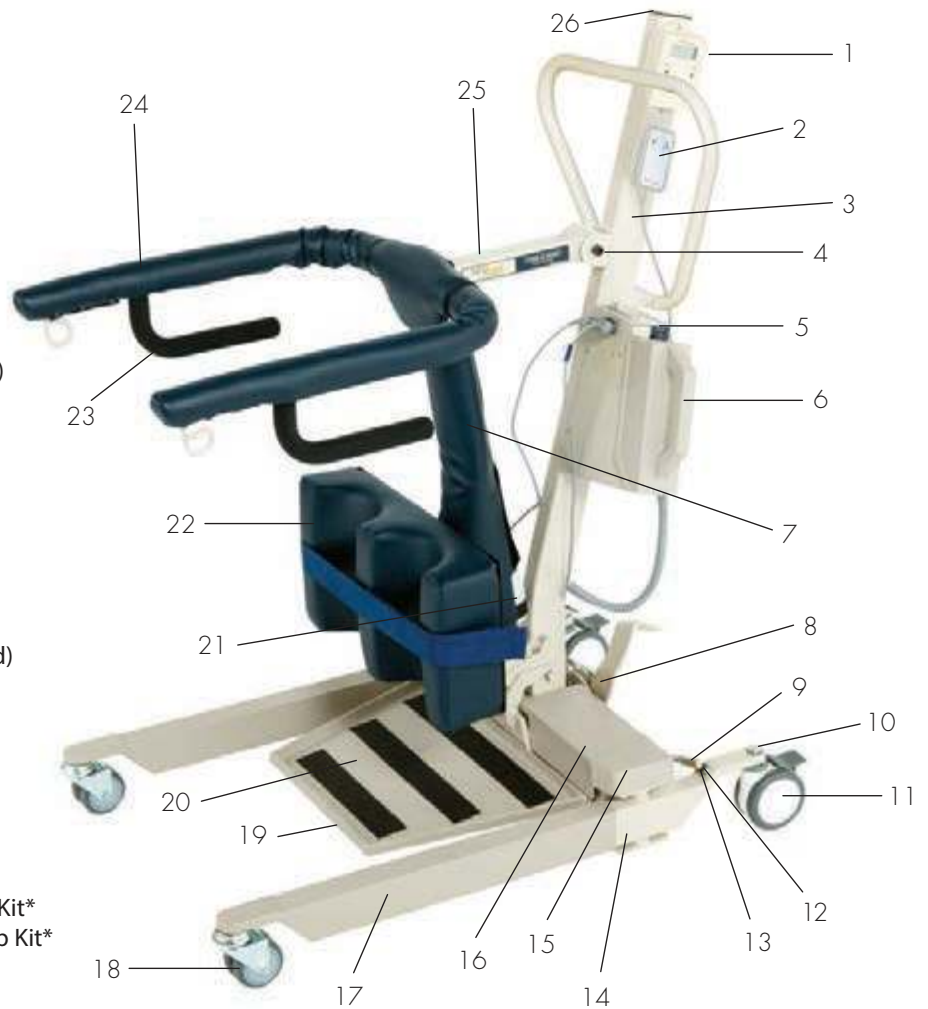
Items Not Pictured

- 400810 Charger
- 400421 Leg Bolt
- 400565 Nylock Nut for Ball Joints (Used with Pivot Bar)
- 400325 Nylock Nut for Foot Pedal
- 400132 Grommet on Mast
- 400246 Nylon Boom Washer
- 400760 Power Cable for Scale
- 403206 Touch-up Paint Bottle
- 401511 Foam Padding in Base Cover
- 400120 Small Phillips Screw
- 402960 Mast/Base Bolt Refurb Kit
- 403050 Boom/Hanger Bolt Refurb Kit
- 402975 Base/Pivot Bar Refurb Kit
- 400585 Leg Spreader Handle
- 400590 Black Plastic Ball for Handle
- 400497 Torque Retainer Kit (Leg Bolt)

Care Stand Parts List

- 1 – 400700 Scale Display
- 400710 Scale Display Circuit Board
- 2 – 400990 Hand Control
- 3 – 401199 Stand Mast
- 402199 SNW Mast
- 4 – 403000 Stand Arm Pin Refurb Kit
- 5 – 400902 Receiver Box
- 400963 Receiver Circuit Board
- 400939 Receiver Box Plug (Toggle Switch)
- 400936 Circuit Breaker (On/Off Switch)
- 6 – 400901 Battery Pack
- 7 – 400092 SKF Actuator Cover*
- 400338 Linak Actuator Cover*
- 8 – 401350 Foot Pedal (Hardware Included)
- 401349 Foot Pedal Pin Refurb Kit
- 9 – 400569 Linkage Rod Refurb Kit
- 10 – 400324 Nylock Nut
- 11 – 400315 Rear Wheel (Hardware Included)
- 12 – 400150 Flat Washer
- 13 – 400575 Lock Washer
- 14 – 401499 Stand Leg
- 15 – 401599 Stand Base
- 402599 SNW Base
- 16 – 401510 Stand Base Cover
- 401515 SNW Base Cover
- 17 – 401410 Stand Leg Cover
- 18 – 400320 Front Wheel (Hardware Included)
- 400405 Cap Screw for Wheel
- 400325 Nylock Nut
- 19 – 401596 Stand Foot Tray
- 402596A SNW Foot Tray
- 20 – 401512 Plastic Foot Tray Cover
- 401513 3 Piece Grip Tape (Foot Tray)
- 21 – Contact Medicare for Actuator*
- 401300 SKF Stand Actuator Bolt Refurb Kit*
- 401299 Linak Stand Actuator Bolt Refurb Kit*
- 22 – 401009 Knee Pad Assembly
- 401010 Knee Pad
- 401011 Black Plastic Knee Pad Backing
- 401126 Knee Pad Mounting Screw
- 401012 Velcro Strap
- 401198 Knee Pad Bracket
- 401175 Plastic Glide
- 23 – 401275 Hand Grips
- 24 – 400097 Padded Arm Cover Set
- 25 – 401298 Stand Arm
- 401297 Stand Arm–500 lbs.
- 400738 Finishing Plug for Square Tube
- 26 – 400220 Mast Cap

- #450006 Care Stand Plus 440™
- #450007 CareStand-n-WeighPlus440™
- #400006 Care Stand 500™
- #400007 Care Stand-n-Weigh 500™
- #400021 LIBI Stand 350™



Items Not Pictured

- | | | | |
|---------|----------------------------|--------|--------------------------------|
| 400810 | Charger | 400760 | Power Cable for Scale |
| 400421 | Leg Bolt | 403206 | Touch-up Paint Bottle |
| 402001 | SNW Base Block | 402960 | Mast/Base Bolt Refurb Kit |
| 400247 | Nylon Washer for Arm | 403075 | SNW Load Cell Bolt Refurb Kit |
| 402596B | SNW L-Shape Base Plate | 402975 | Base/Pivot Bar Refurb Kit |
| 401706 | Black Stand Arm Cap | 400585 | Leg Spreader Handle |
| 401699 | SNW Load Cell | 400590 | Black Plastic Ball for Handle |
| 400132 | Grommet on Mast | 400497 | Torque Retainer Kit (Leg Bolt) |
| 401572 | Pin with Safety Cable | 401011 | Black Cap for Knee Pad Bracket |
| 400120 | Small Phillips Screw | 400611 | Stand Strap Stopper |
| 401511 | Foam Padding in Base Cover | | |

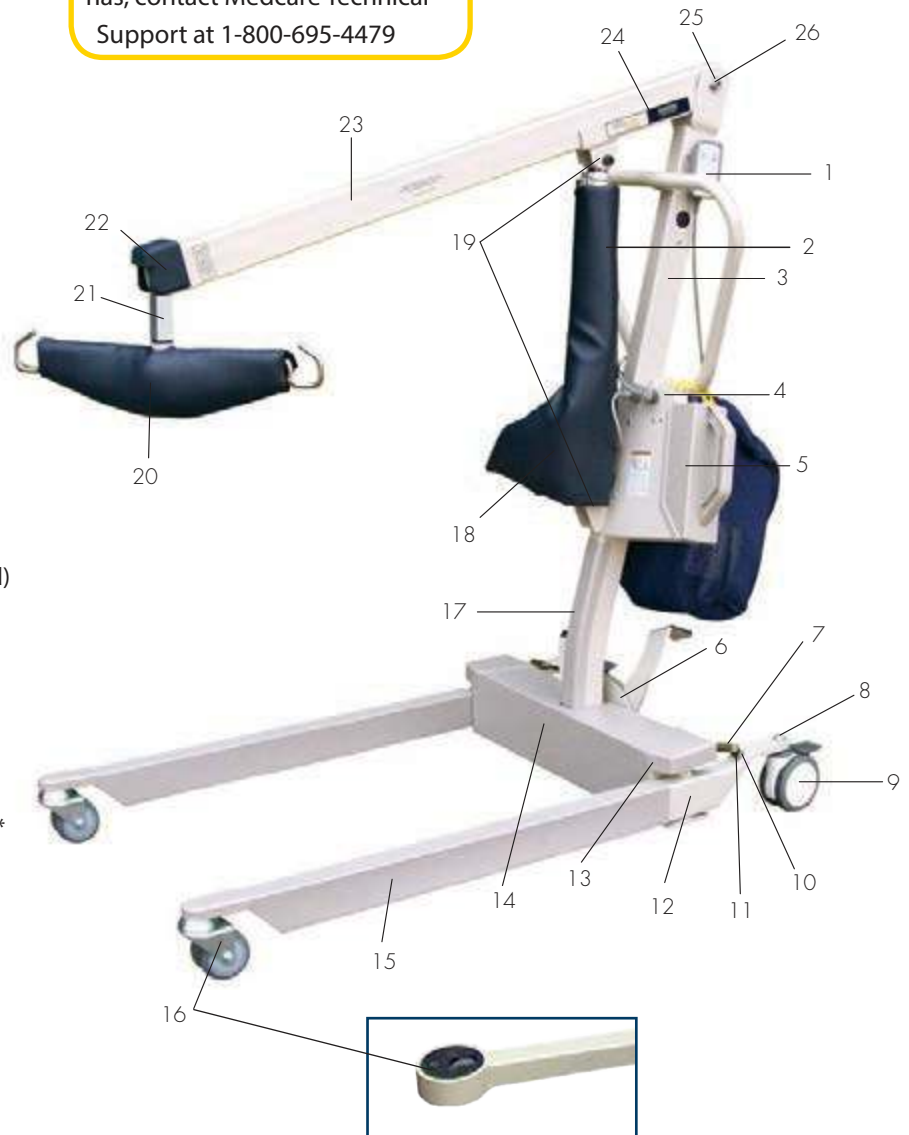
Car Extractor Parts List

#450000 475™

#450045 Low Pro 475™

- 1 – 400990 Hand Control
- 2 – 400092 SKF Actuator Cover*
- 400338 Linak Actuator Cover*
- 3 – 450198 Mast
- 4 – 400902 Receiver Box
- 400963 Receiver Circuit Board
- 400939 Receiver Box Plug (Toggle Switch)
- 400936 Circuit Breaker (On/Off Switch)
- 5 – 400901 Battery Pack
- 6 – 401350 Foot Pedal (Hardware Included)
- 401349 Foot Pedal Pin Refurb Kit
- 7 – 400569 Linkage Rod Refurb Kit
- 8 – 400324 Nylock Nut
- 9 – 400315 Rear Wheel (Hardware Included)
- 10 – 400150 Flat Washer
- 11 – 400575 Lock Washer
- 12 – 400499 Lift Leg
- 13 – 400599 Lift Base
- 14 – 400510 Lift Base Cover
- 15 – 400410 Lift Leg Cover
- 16 – 400320 Front Wheel (Hardware Included)
- 400405 Cap Screw for Wheel
- 400325 Nylock Nut
- 400442 Low Pro Wheel w/ Bearing
- 400443 Low Pro Wheel w/o Bearing
- 400441 Low Pro Bearing
- 17 – 400110 Mast Protector
- 18 – Contact Medicare for Actuator*
- 19 – 403125 SKF Lift Actuator Bolt Refurb Kit*
- 403126 Linak Lift Actuator Bolt Refurb Kit*
- 20 – 400093 Padded Yoke Cover
- 21 – 400607 Blank Scale Hanger
- 400133 Blank Scale Hanger Bushings
- 22 – 400620 Boom Head Cushion
- 23 – 400296 Car Extractor Boom
- 24 – 400299 Boom Support
- 25 – 402950 Boom/Mast Bolt Refurb Kit
- 26 – 400220 Mast Cap

*Note: If you are not sure which actuator your lift or stand has, contact Medicare Technical Support at 1-800-695-4479



Items Not Pictured

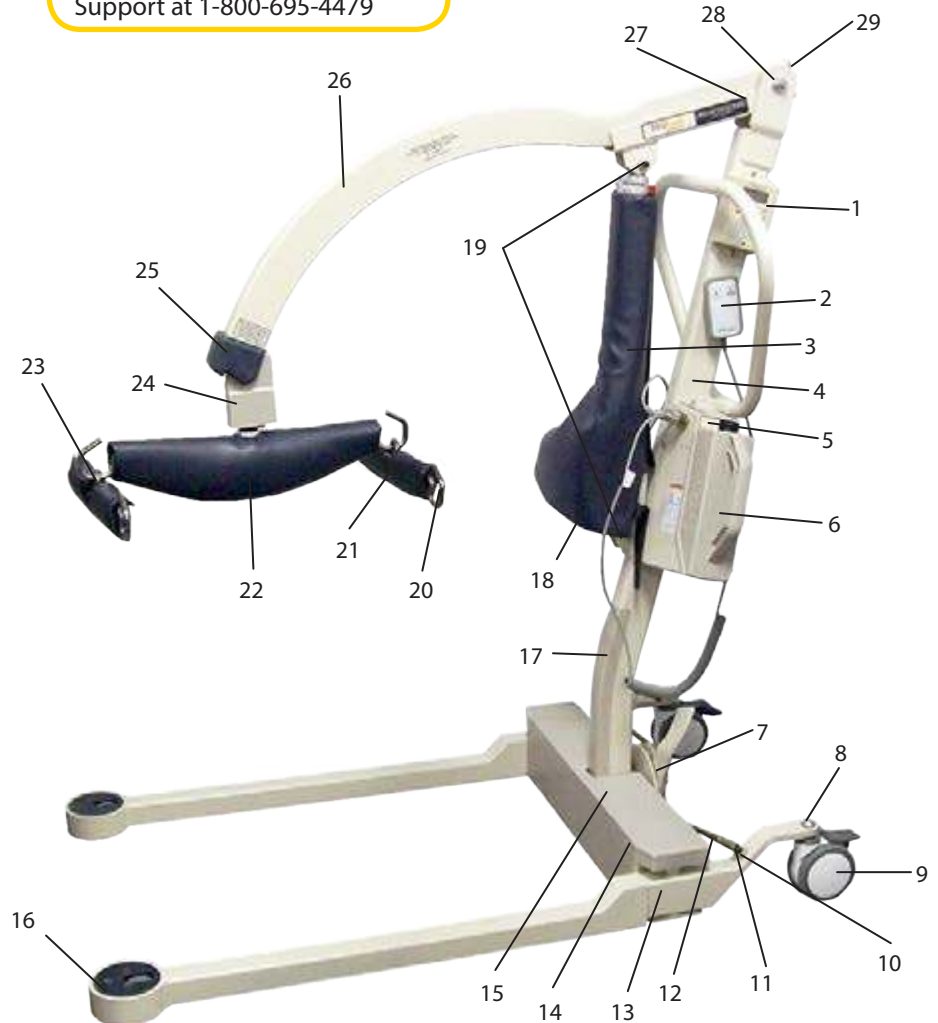
- 400810 Charger
- 400421 Leg Bolt
- 400565 Nylock Nut for Ball Joints (Used with Pivot Bar)
- 400325 Nylock Nut for Foot Pedal
- 400132 Grommet on Mast
- 400246 Nylon Boom Washer
- 400760 Power Cable for Scale
- 403206 Touch-up Paint Bottle
- 401511 Foam Padding in Base Cover
- 400120 Small Phillips Screw
- 402960 Mast/Base Bolt Refurb Kit
- 403050 Boom/Hanger Bolt Refurb Kit
- 402975 Base/Pivot Bar Refurb Kit
- 400585 Leg Spreader Handle
- 400590 Black Plastic Ball for Handle
- 400497 Torque Retainer Kit (Leg Bolt)

Low Pro Lift Parts List

#450001 Low Pro 475™
 #450003 Low Pro Lift-n-Weigh 475™
 #450013 Low Pro Lift-n-Weigh 600™
 #450019 Low Pro 600™

*Note: If you are not sure which actuator your lift or stand has, contact Medicare Technical Support at 1-800-695-4479

- 1 – 400700 Scale Display
- 400710 Scale Display Circuit Board
- 2 – 400990 Hand Control
- 3 – 400092 SKF Actuator Cover*
- 400338 Linak Actuator Cover*
- 4 – 400198 Lift Mast
- 400177 600 lb Lift Mast
- 5 – 400902 Receiver Box
- 400963 Receiver Circuit Board
- 400939 Receiver Box Plug (Toggle Switch)
- 400936 Circuit Breaker (On/Off Switch)
- 6 – 400901 Battery Pack
- 7 – 401350 Foot Pedal (Hardware Included)
- 401349 Foot Pedal Pin Refurb Kit
- 8 – 400324 Nylock Nut
- 9 – 400315 Rear Wheel (Hardware Included)
- 10 – 400150 Flat Washer
- 11 – 400575 Lock Washer
- 12 – 400569 Linkage Rod Refurb Kit
- 13 – 400431 Low Pro Lift Leg
- 400430 Low Pro Leg Assembly
- 400441 Low Pro Leg Assembly Pair
- 14 – 400599 Lift Base
- 400170 600 lb Lift Base
- 15 – 400510 Lift Base Cover
- 16 – 400442 Low Pro Wheel w/ Bearing
- 400443 Low Pro Wheel w/o Bearing
- 400441 Low Pro Bearing
- 17 – 400110 Mast Protector
- 18 – Contact Medicare for Actuator*
- 19 – 403125 SKF Lift Actuator Bolt Refurb Kit*
- 403126 Linak Lift Actuator Bolt Refurb Kit*
- 20 – 400606 Sling Support Bar
- 21 – 400096 Padded Hanger Bar Cover
- 22 – 400093 Padded Yoke Cover
- 23 – 400600 Scale Hanger Assembly
- 400600R Scale Hanger Rebuild (Contact Technical Support)
- 400607 Blank Scale Hanger
- 24 – 400625 Load Cell Housing
- 25 – 400620 Boom Head Cushion
- 26 – 400298 Lift Boom
- 27 – 400299 Boom Support
- 28 – 402950 Boom/Mast Bolt Refurb Kit
- 29 – 400220 Mast Cap



Items Not Pictured

- 400810 Charger
- 400421 Leg Bolt
- 400565 Nylock Nut for Ball Joints (Used with Pivot Bar)
- 400325 Nylock Nut for Foot Pedal
- 400132 Grommet on Mast
- 400220 Mast Cap
- 400246 Nylon Boom Washer
- 400760 Power Cable for Scale
- 403206 Touch-up Paint Bottle
- 401511 Foam Padding in Base Cover
- 400120 Small Phillips Screw
- 402960 Mast/Base Bolt Refurb Kit
- 403050 Boom/Hanger Bolt Refurb Kit
- 400497 Torque Retainer Kit (Leg Bolt)