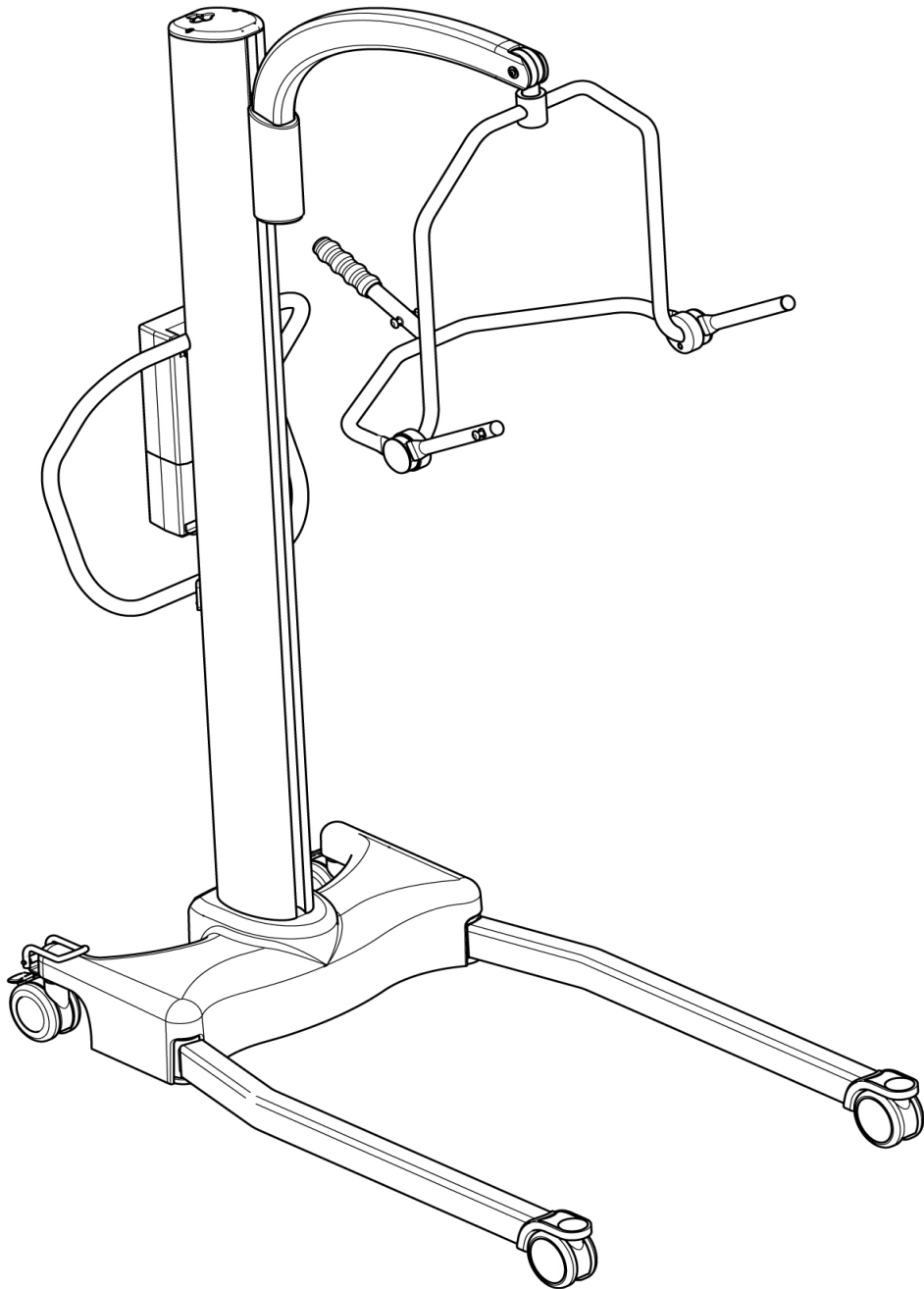
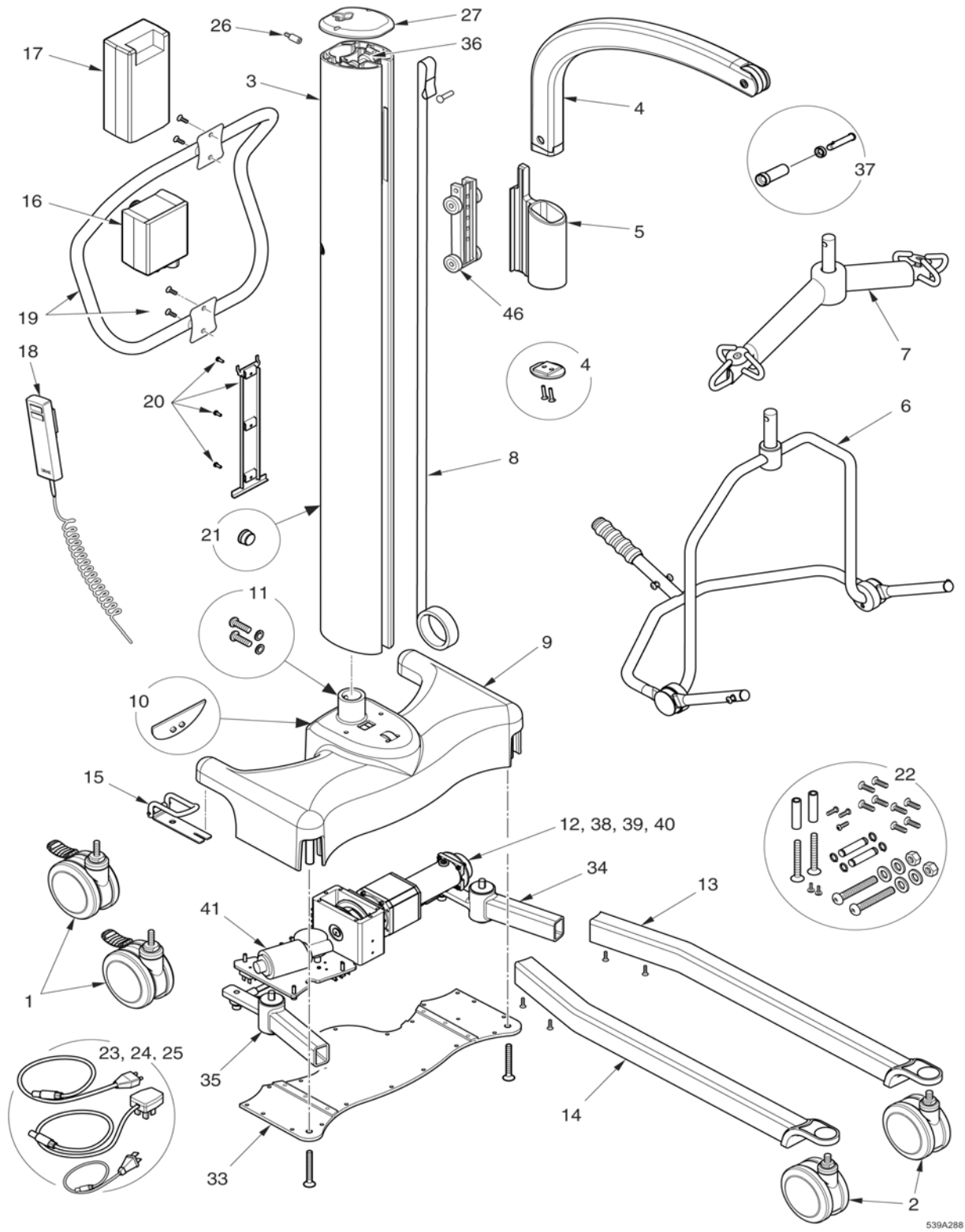


# OXFORD / HOYER STATURE PARTS MANUAL



# OXFORD / HOYER STATURE



539A288

Rev A

## OXFORD / HOYER STATURE

Nº	PART NUMBER	DESCRIPTION	QTY
1	0Y0066	100mm rear castor (braked) including fixings	2
2	0Y0073	100mm front castor (non braked) including fixings	2
3	0Y0185	Mast extrusion	1
4	0Y0186	Boom extrusion and capping plate	1
5	0Y0187	Boom carrier	1
6	0Y0188	4 point cradle assembly complete (standard with Stature)	1
7	0Y0189	6 point spreader bar assembly complete (option with Stature)	1
8	0Y0190	Lift strap and pin	1
9	0Y0191	Base Assembly; includes base casting & welded post (not internal parts)	1
10	0Y0192	Foot push pad assembly complete	2
11	0Y0193	Mast to base fixing kit	1
12	0Y0194	Motor gear box and brake assembly complete	1
13	0Y0195	Left leg extrusion including fixings	1
14	0Y0196	Right leg extrusion including fixings	1
15	0Y0197	Straight-line steering device	1
16	0Y0198	Linak controller	1
17	0Y0067	Linak battery	1
18	0Y0075	Linak hand control	1
19	0Y0199	Push handle assembly and fixings	1
20	0Y0069	Linak battery and controller brackets/fixings	1
21	0Y0200	Mast grommet (cable feed)	2
22	0Y0201	Fixings Kit (all bolts, screws and fixings)	1
23	0Y0071	Linak charge lead UK	1
24	0Y0114	Linak charge lead USA	1
25	0Y0072	Linak charge lead EURO	1
26	0Y0202	Emergency descent socket and drive	2
27	0Y0203	Mast top cap	1
28	0Y0204	Decal set (Oxford) not shown (no serial number labels)	1
29	0Y0205	Decal set (Hoyer) not shown (no serial number labels)	1
30	0Y0070	Handset clip (not shown)	1
31	0Y0128	Castor tightening wrench (not shown)	1
32	0Y0227	Wiring kit complete (includes circuit diagram and descriptions) not shown	1
33	0Y0218	Base bottom plate	1
34	0Y0219	Leg pivot assembly and fixings (left hand)	1
35	0Y0220	Leg pivot assembly and fixings (right hand)	1
36	0Y0221	Top pulley assembly	1
37	0Y0222	Quick release pin kit	1
38	0Y0223	Brake assembly (separate)	1
39	0Y0224	Motor gearbox assembly (separate)	1
40	0Y0225	Bottom pulley kit	1
41	0Y0226	Leg motor	1
42	0Y0228	Limit switch kit (includes 4 proximity switches) not shown	1
43	0Y0229	Relay kit (X1) not shown	1
44	0Y0230	Diode kit (X4) not shown	1
45	0Y0053	Linak charger and stand assembly not shown	1
46	0Y0231	Carriage pulley assembly complete	1

